

## Installation Guide

# CORE - SPOTLIGHT

---

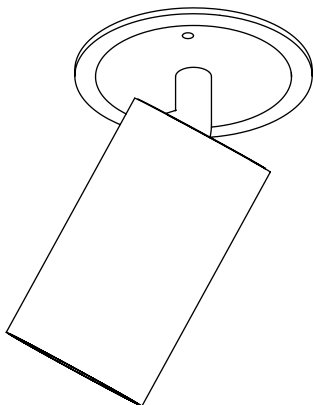
Thoughtful lighting, responsibly designed in London.

Thank you for making the switch to Tala.  
Discover the full Tala family at [talalighting.com](http://talalighting.com)

---

### BEFORE STARTING

Please read instructions thoroughly before installation and keep them for future reference. Please take extreme care when dealing with electrical equipment. Improper assembly can undermine the safety and longevity of the product.



### IMPORTANT

This light fitting must be connected to the supply earth. If your lighting circuit does not have an earth, ask a qualified electrician to provide an earth facility. This fitting operates on 120V mains voltage. This product is for indoor use only.

### WARNING

Always switch off electricity supply at the mains during installation and maintenance. We recommend that the fuse is withdrawn or the circuit breaker is switched off whilst work is in progress. Do not just turn off at the wall switch. All fittings must be installed in accordance with current NFPA 70, National Electrical Code (NEC).

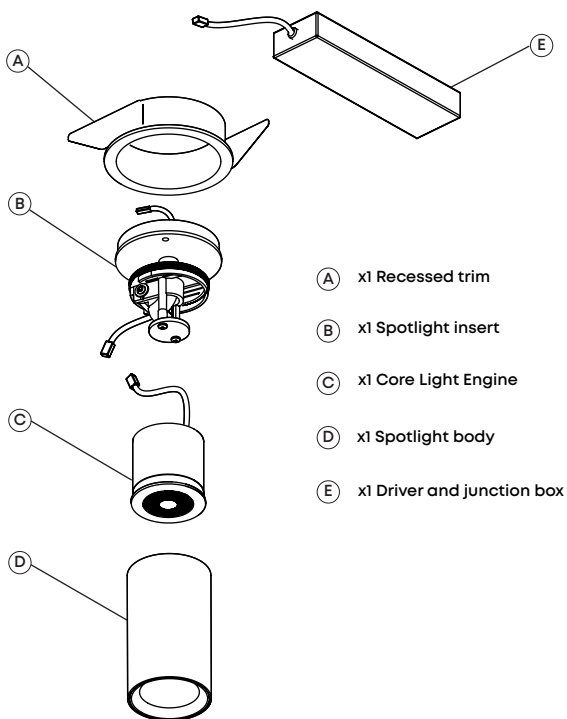
### RECOMMENDED EQUIPMENT

- Ø76mm/3in Hole saw
- Flathead screwdriver
- Wire strippers
- Insulation tape

Further equipment may be required for fixing to your wall or ceiling

---

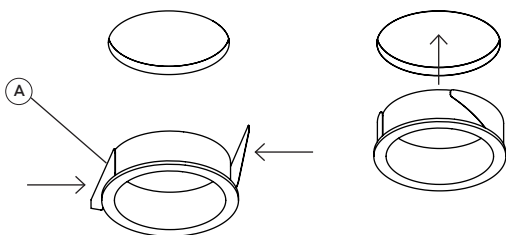
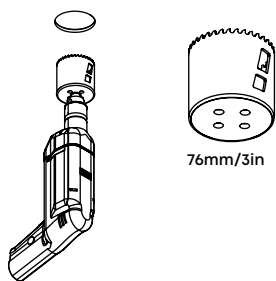
# Core Downlight - Provided Components

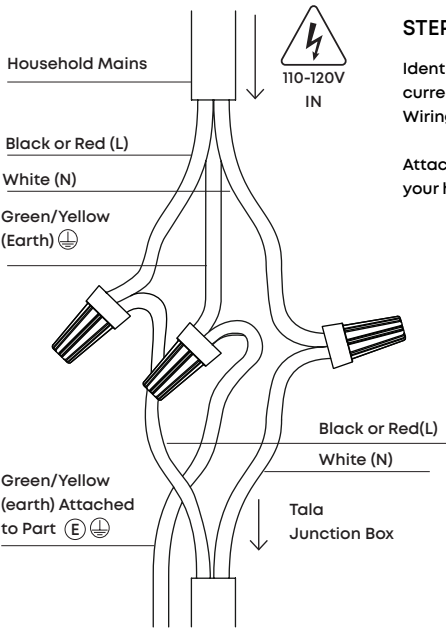


## STEP 1

Create a 76mm/3in hole for the fixture.  
This downlight is designed to be installed after plastering.

Insert the Recessed trim (A) into the cutout by folding in the flanges.  
Releasing the flanges will hold the fixture in place.

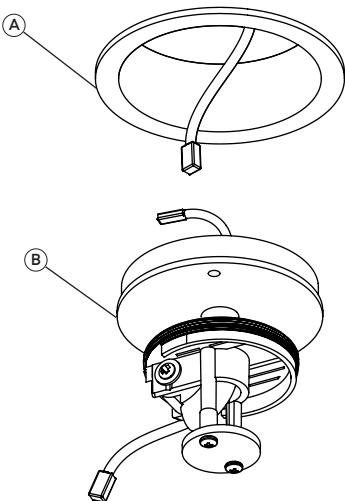




## STEP 2

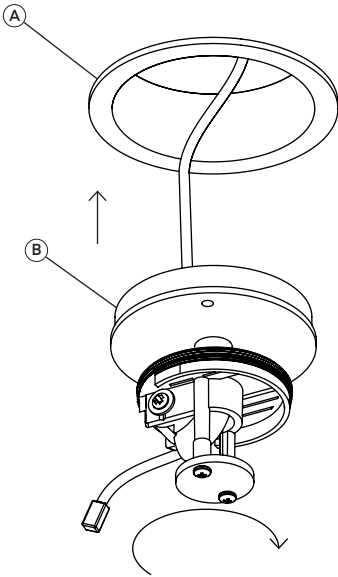
Identify your household wiring using current Building Regulations and IEE Wiring Regulations.

Attach the Junction box wiring to your household supply as shown.



## STEP 3

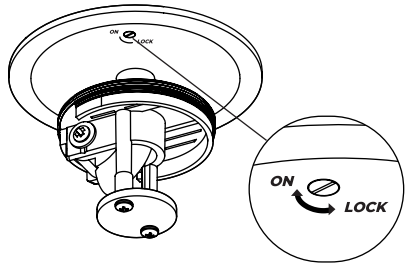
Connect the Spotlight insert (B) to the Driver and Junction Box (E) in the ceiling cavity using the clip connectors.



#### STEP 4

Insert the Spotlight insert (B) into the Recessed trim (A) and rotate clockwise.

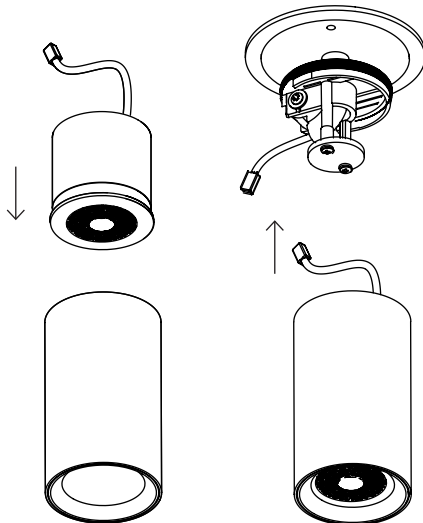
Using a flathead screwdriver, turn the grub screw to the lock position to secure in place.

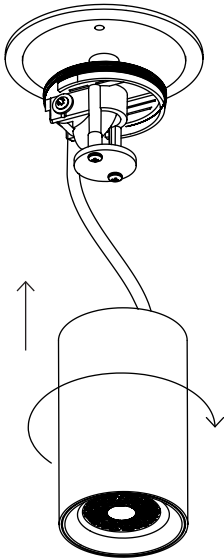


#### STEP 5

Insert the Core Light Engine (C) into the Spotlight body (D).

Connect the Core Light Engine to the Spotlight Arm using the connector clips.

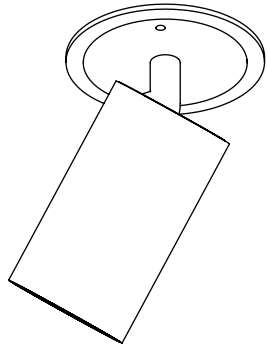




## STEP 6

Screw the Spotlight body onto the Spotlight insert.

The spotlight can be rotated 350° and angled up to 90°.



## CARE AND CLEANING

We recommend cleaning with a soft dry cloth.

If required, further cleaning can be achieved with warm, soapy water.

Do not use abrasive materials as these will damage the lacquer.

Do not use alcohol or other solvents.

## WARRANTY AND AFTER-CARE

This product has a two-year warranty. If there appears to be a functional defect with the product during this time, please contact our team at [customerservice@tala.co.uk](mailto:customerservice@tala.co.uk).

Please note, if the cable attached to this fixture is damaged, it should only be replaced by qualified person.

---

## Join the Community

[hello@tala.co.uk](mailto:hello@tala.co.uk) | Instagram: @tala | Facebook: talaHQ | Pinterest: TalaLED | Tag: lighttoliveby

Tala Studios, 25B Vyner Street, London E2 9DG

Tala North America Inc. C/O LH Frishkoff & Company, 546 5th Avenue, FL 9

New York NY 10036