

MB06

FREE STANDING BATH SPOUT



meir®

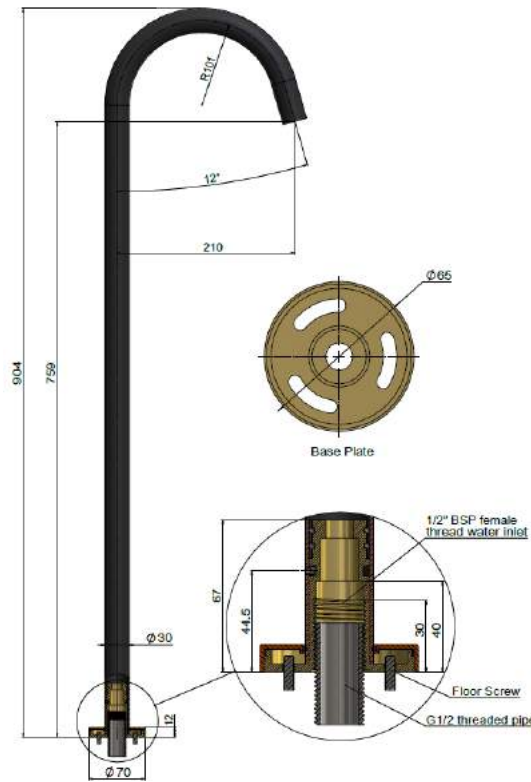
FEATURES

- Refer to the Meir website for warranty terms & conditions, and available finishes.
- Flow rate 22 L p/m at 3 bar pressure.
- European components and cartridge
- Solid brass construction
- Box Weight 1.9 Kg

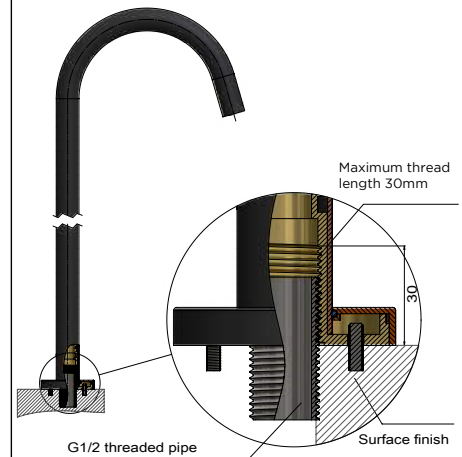
CARE

- Do not install tapware using any form of acetone silicones.
- Do not apply physical items (such as tools) directly to product.
- Never use house-hold or commercial detergents, citrus based cleaners, or abrasive cleaners.
- Clean using a mild washing soap solution rinsed, and dry with a soft cloth.
- Check for any product defects before installation.
- Refer to the installation manual for correct installation.

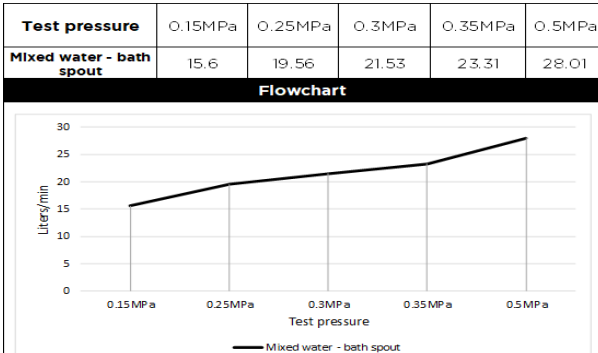
SPECIFICATIONS



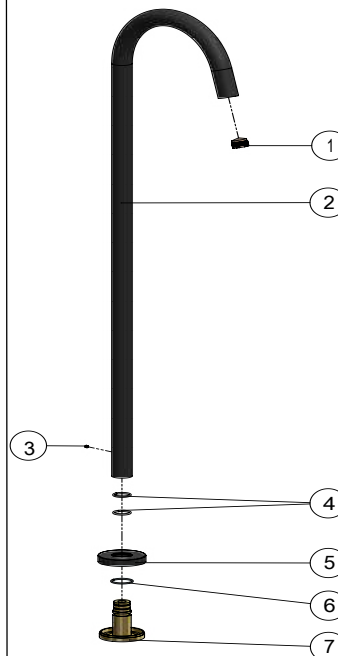
TOLERANCES



FLOW RATE GRAPH



EXPLODED VIEW



No.	Part Name	Qty
1	Aerator	1
2	Spout	1
3	Screw	1
4	O-ring	2
5	Back Plate	1
6	O-ring	1
7	Base Plate	1

CREDENTIALS

- Watermark AS/NZS3718WMKA25013