

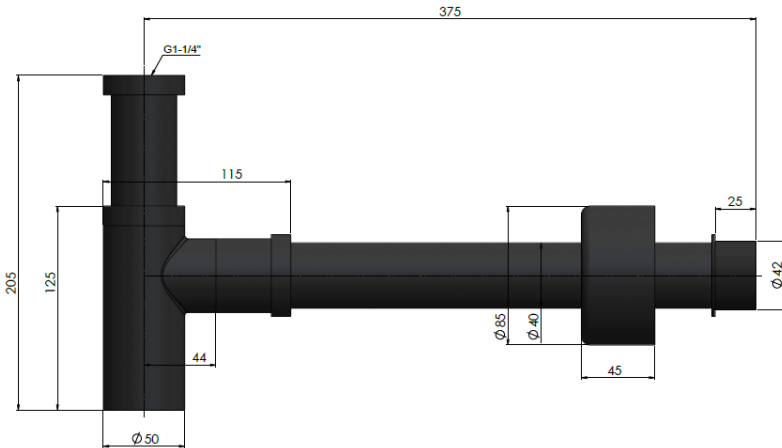
# MP05-R

## BOTTLE TRAP

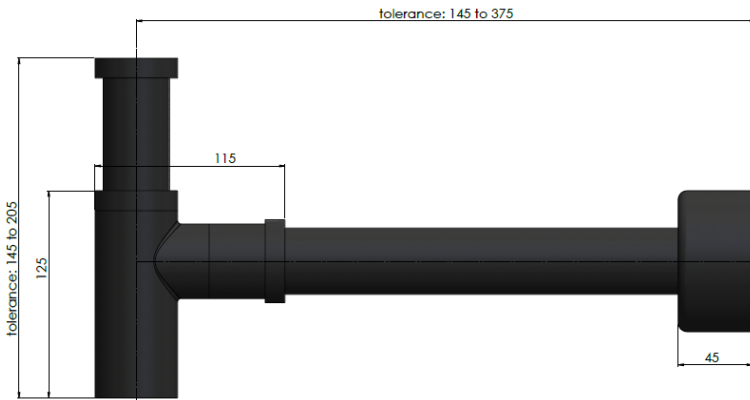
meir®



### SPECIFICATIONS



### TOLERANCE



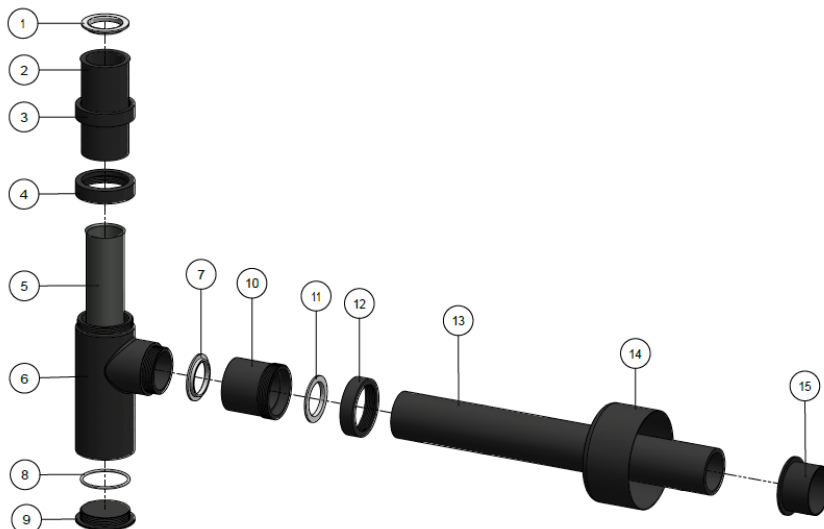
### CARE

- Do not install tapware using any form of acetone silicones.
- Do not apply physical items (such as tools) directly to product.
- Never use house-hold or commercial detergents, citrus based cleaners, or abrasive cleaners.
- Clean using a mild washing soap solution rinsed, and dry with a soft cloth.
- Check for any product defects before installation.
- Refer to the installation manual for correct installation.

### FEATURES

- Refer to the Meir website for warranty terms & conditions, and available finishes.
- Solid brass construction
- Box Weight 0.3 kg

### EXPLODED VIEW



No.	Part Name
1	Sealing Washer
2	Flanging Tube
3	Nut
4	Nut
5	Gum Cover
6	Tee Body
7	Sealing Washer
8	O-ring
9	Bottom Cap
10	Adapter
11	Sealing Washer
12	Nut
13	Straight Pipe
14	Decor Cover
15	Sealing Wash