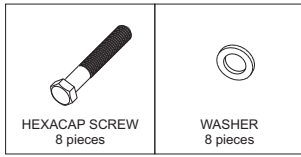
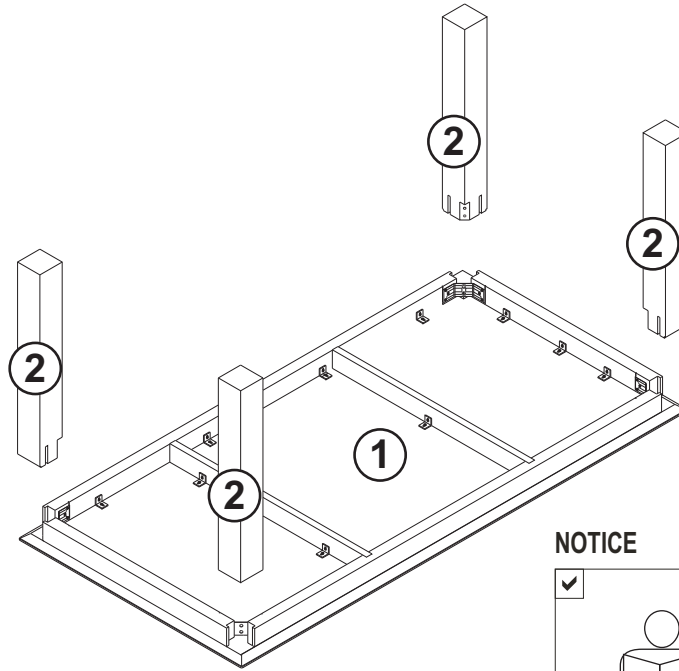
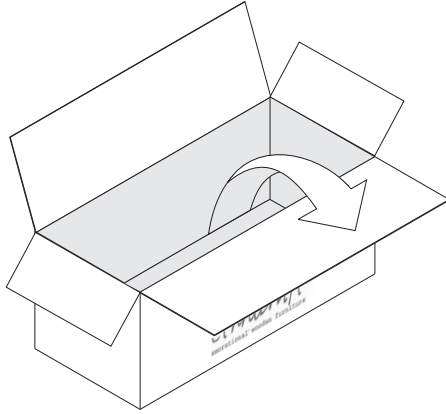
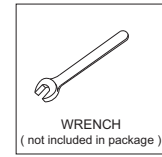


SLICE DINING TABLE
ASSEMBLY INSTRUCTION FOR DINING TABLE INSTALLATION

HARDWARES



TOOLS



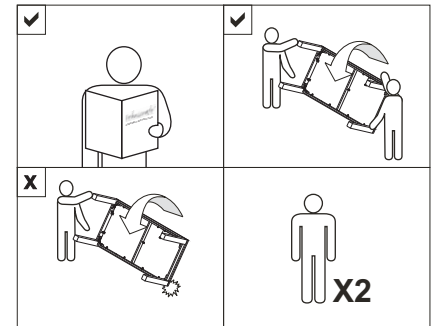
IN YOUR PACKAGE :

ASSEMBLY INSTRUCTION
HARDWARE (AS LISTED ABOVE)

PARTS TO BE INSTALLED

- 1. TABLE TOP WITH APRON 1 pcs
- 2. LEGS 4 pcs

NOTICE



SYMBOLS



DIRECTION

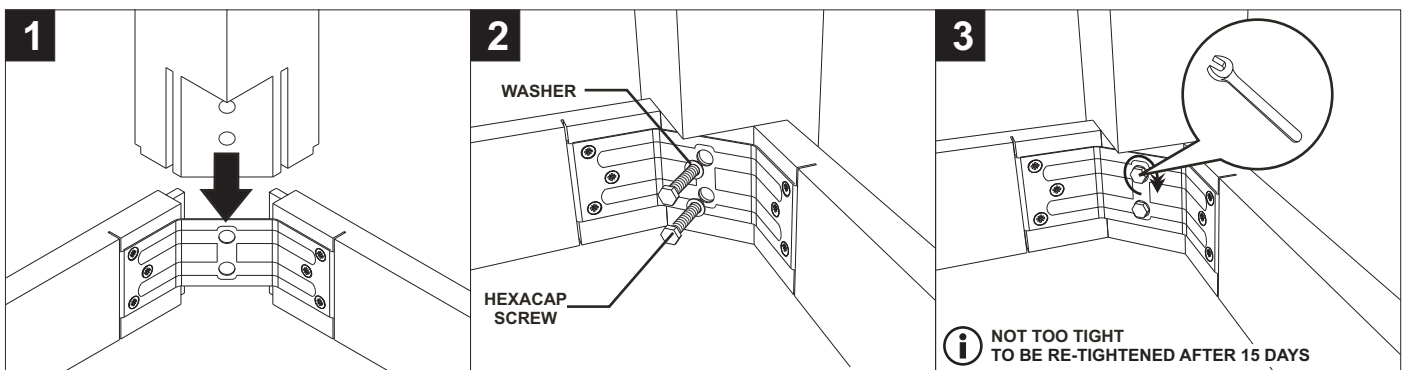


NUMBER OF
PERSONS NEEDED



USE WRENCH
TO TIGHTEN

A. CONNECTING THE LEGS AND THE TABLE TOP



REPEAT STEP 1 TO STEP 3 FOR OTHER LEGS