



LCB2-3 INSTALLATION INSTRUCTIONS

TOOLS REQUIRED:
CONTENTS OF KIT:

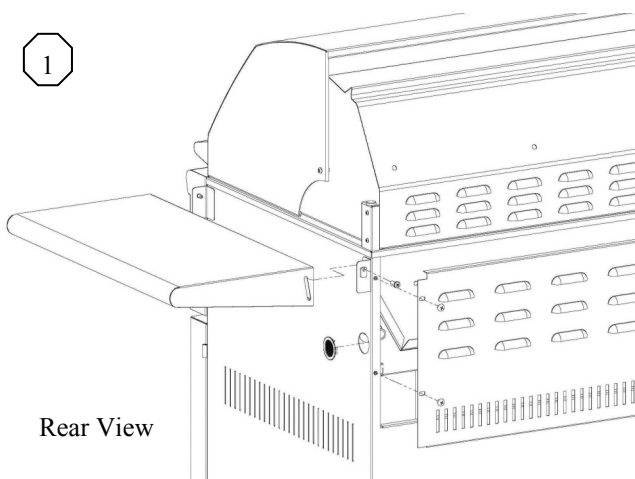
7/16 Wrench
An adjustable side burner mounting bracket
Side shelf mounting bracket with 7/16 fasteners
Decorative cover for the L27 and L36 models

The side burner support bracket comes preassembled for the L27 and L36

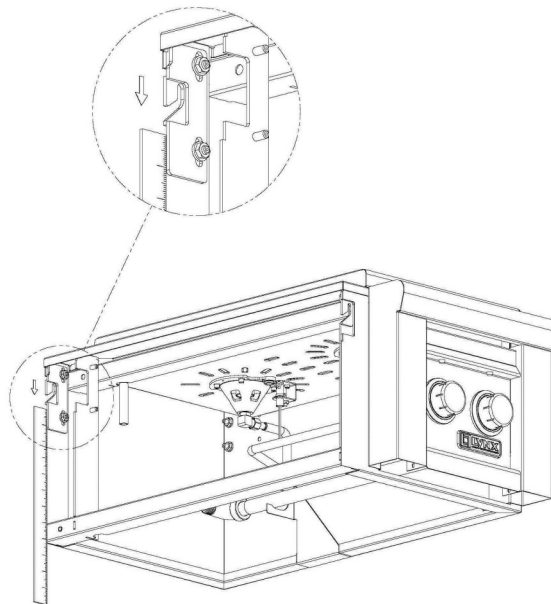
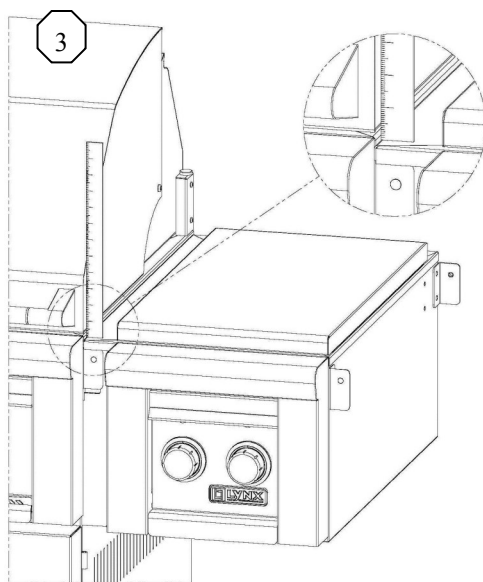
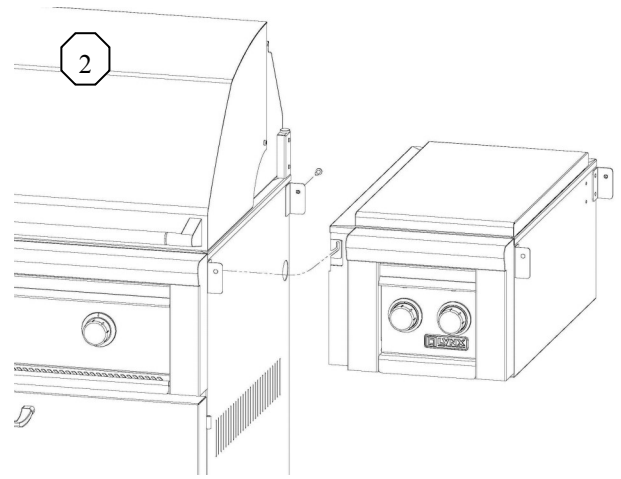
P/N 34912. 8/14

INSTRUCTIONS FOR MODELS L36 and L27:

1. Remove the right hand side shelf and the cabinet back panel (fig. 1)
2. Mount the LCB2-3 side burner to the supports (fig. 2)
3. If needed, any misalignment can be corrected by 1st measuring the amount of misalignment, 2nd loosening the bracket support fasteners. 3rd raise or lower the bracket according to your measurements. Tighten the fasteners. (fig 3)
4. Hang the side shelf removed in step 1 on the right side shelf support pins of the side burner (Fig. 6, pg. 2)

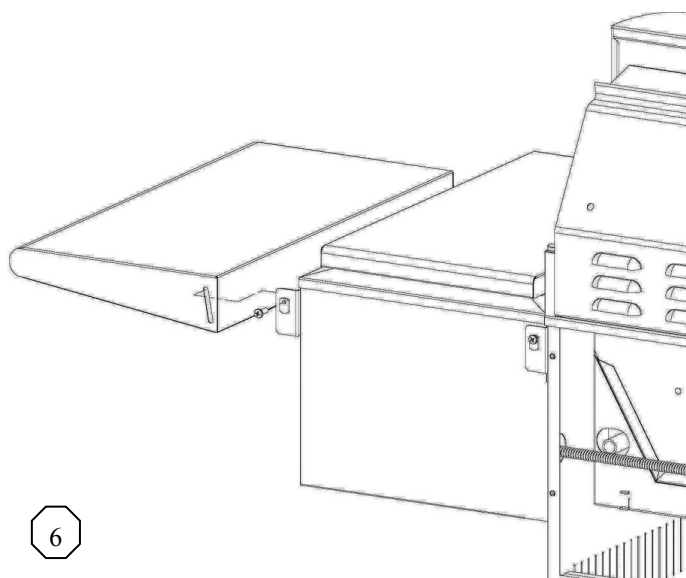
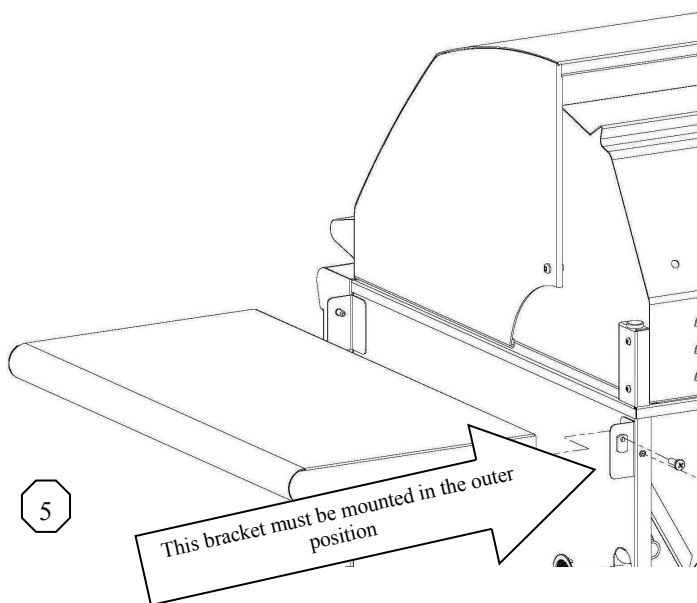
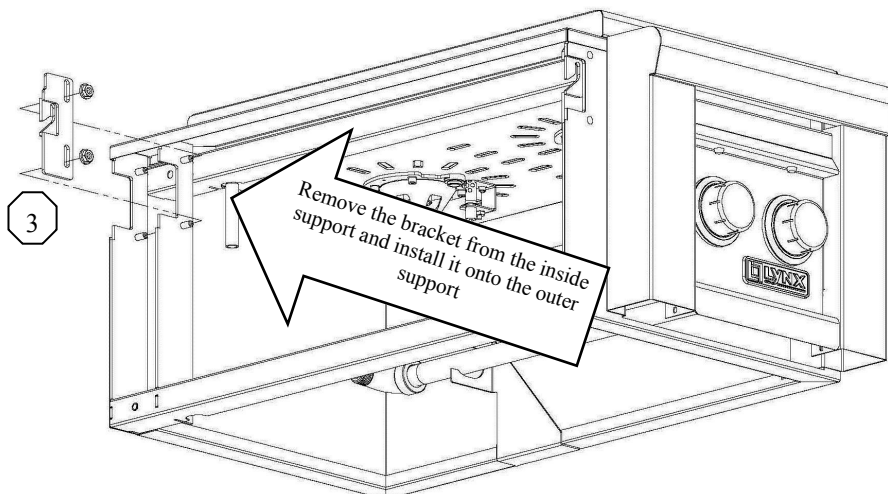
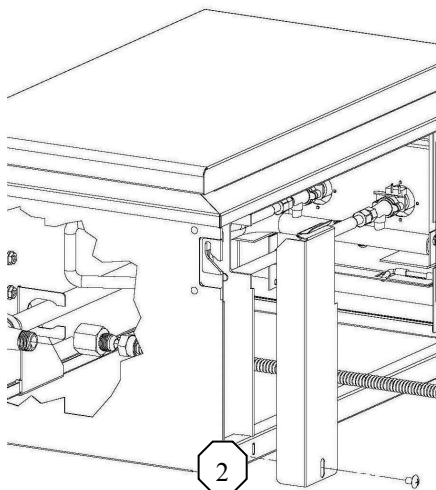


Rear View



INSTRUCTIONS FOR MODELS L54, L42, L30:

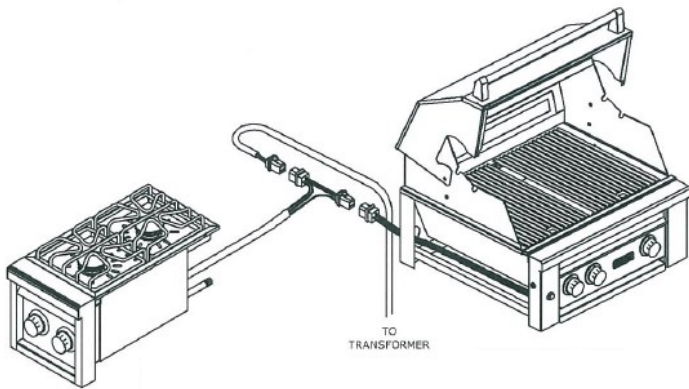
1. Remove the right hand side shelf. See fig.1 on page 1
2. At the rear, remove the decorative cover (1) on the left hand side of the LCB2-3 by removing the Philips head screw and sliding it out. This also gives access to the gas piping connections. (Fig. 2)
3. Locate the mounting bracket on the inner most bracket support (Fig 3). Remove the 7/16 fasteners holding it in place Reinstall the mounting bracket on the rear most bracket support and secure it with the 7/16 fasteners
4. As in step 3 on page 1, correct any misalignment in the shelf
5. Move the shelf mounting bracket on the right hand side, to the outermost mounting holes using the 7/16 nuts, and tighten. (Fig. 5)
6. Hang the side shelf removed in step 1, pg. 1 to the right side of side burner on the shelf mounting bracket pins (Fig 6)



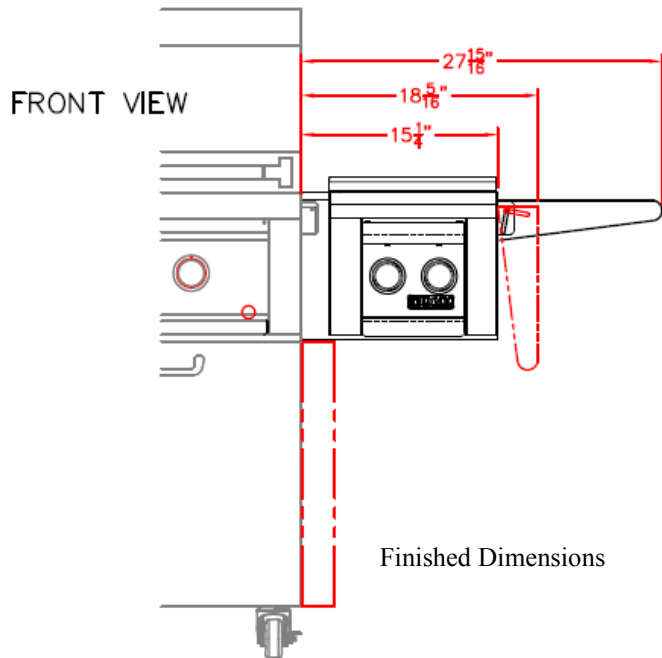
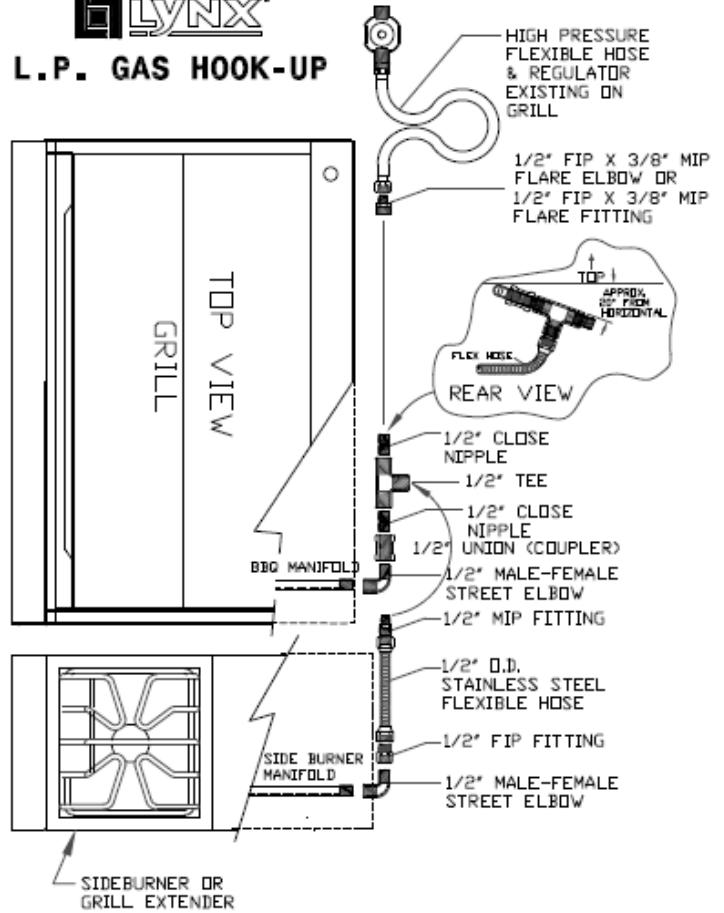
Once the side burner is mounted to the grill the gas connections can be made. Refer to the illustrations on the right for proper gas installation examples.

After the side burner gas connections are made it is recommended that a leak test be done on all gas line fittings. Apply a soap and water solution to all connections and look for bubbles to form which indicate a gas leak. If no bubbles are present, make the electrical connections

The side burner is electrically connected to grill at the transformer. Disconnect the transformer from the grill and plug in the side burner as shown in the illustration below.



LYNX[®] L.P. GAS HOOK-UP



LYNX[®] NATURAL GAS HOOK-UP LP BULK-TANK HOOK-UP

