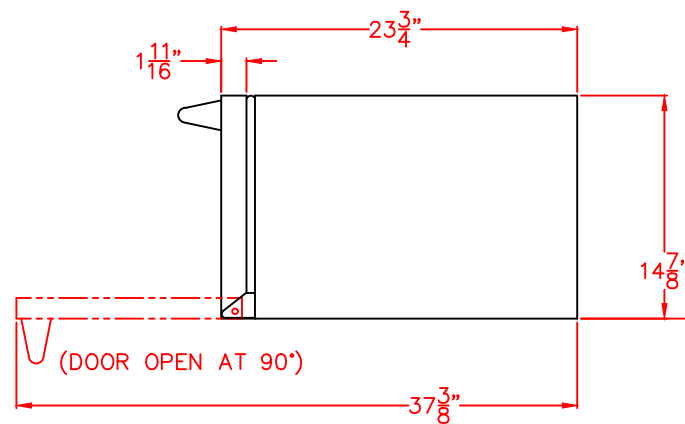


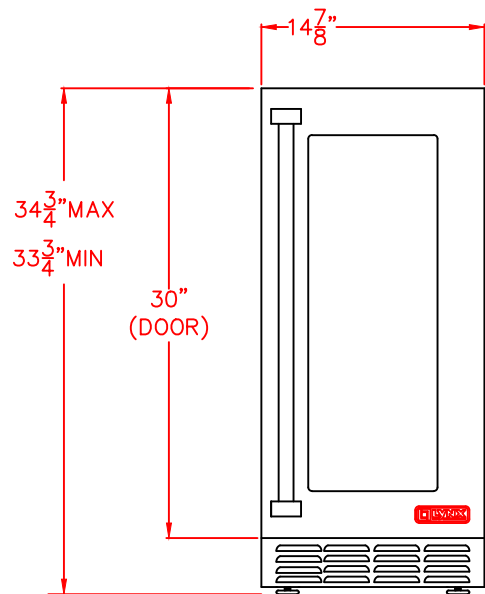
LYNX 15" OUTDOOR WINE CELLAR
 MODEL LM15WINER (RIGHT HAND HINGE)
 WITH DIMENSIONS

ISLAND CUTOUT
 DIMENSIONS ON PAGE 3

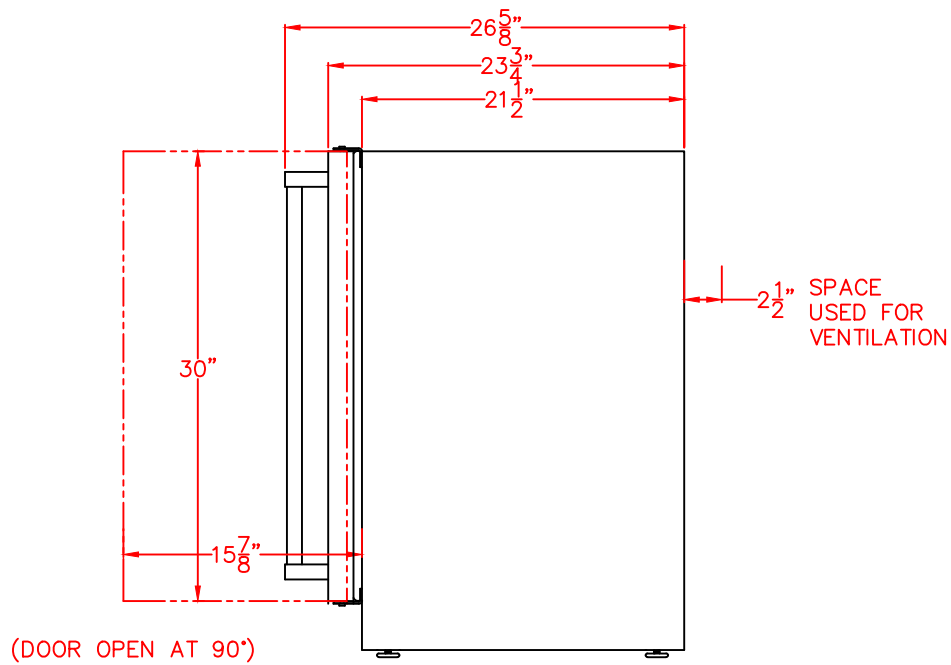
TOP VIEW



NOTE: FOR THIS ILLUSTRATION,
 REFRIGERATOR HAS BEEN SET
 AT MINIMUM HEIGHT OF 34"



FRONT VIEW

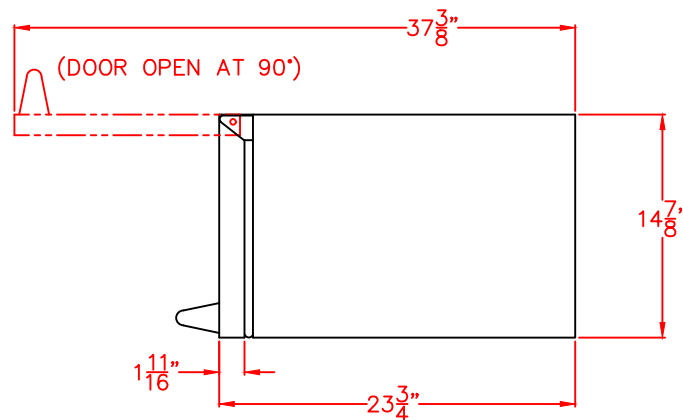


SIDE VIEW

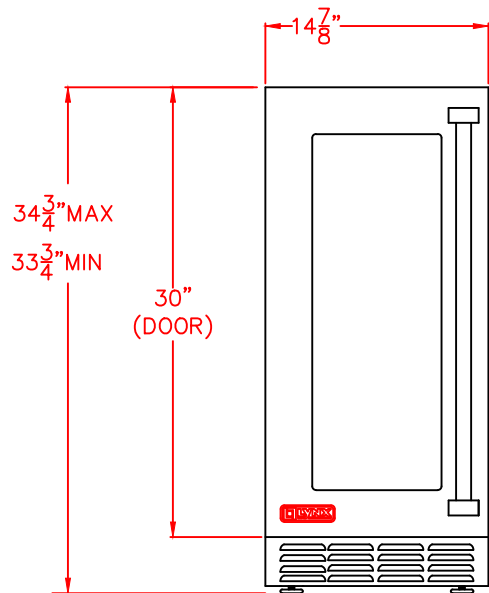
LYNX 15" OUTDOOR WINE CELLAR
MODEL LM15WINE (LEFT HAND HINGE)
WITH DIMENSIONS

ISLAND CUTOUT
DIMENSIONS ON PAGE 3

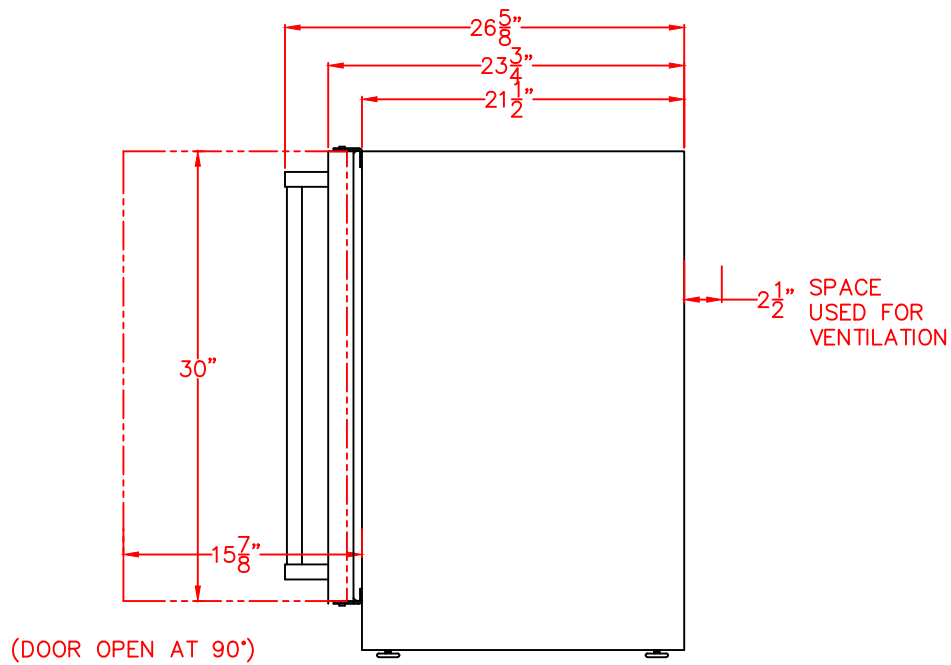
TOP VIEW



NOTE: FOR THIS ILLUSTRATION,
REFRIGERATOR HAS BEEN SET
AT MINIMUM HEIGHT OF 34"



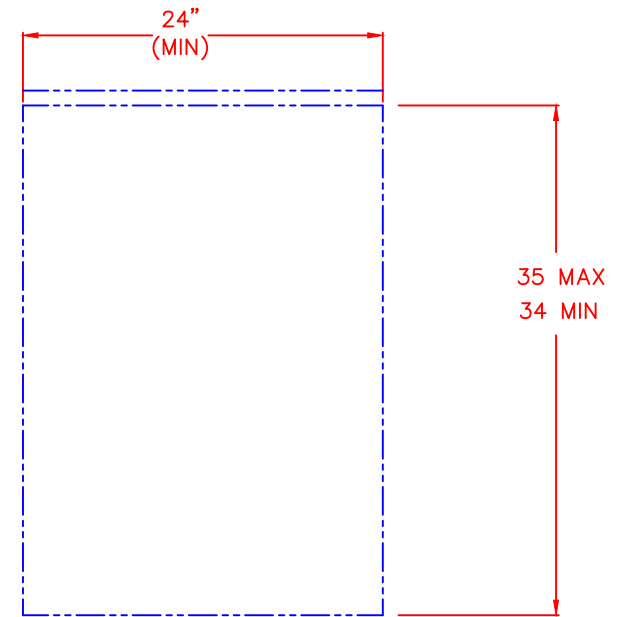
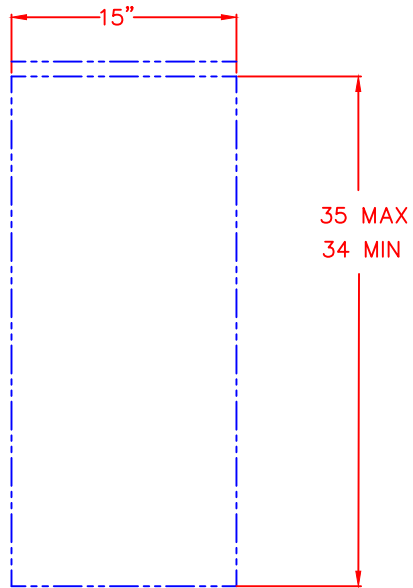
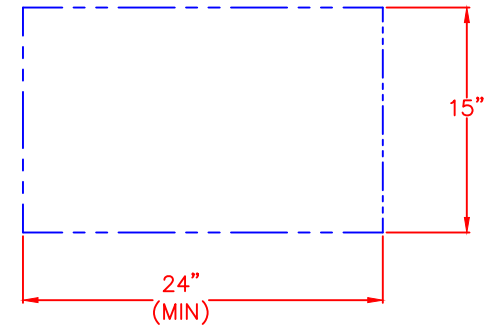
FRONT VIEW



SIDE VIEW

LYNX 15" OUTDOOR WINE CELLAR
MODEL LM15WINE(R/L)
ISLAND CUTOUT

ISLAND CUTOUT
IN BLUE



FRONT VIEW

SIDE VIEW