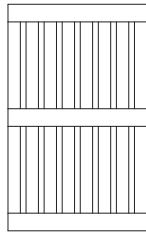
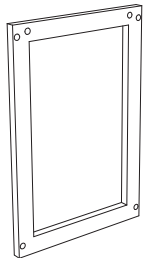
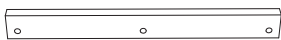
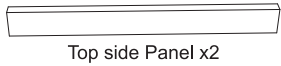
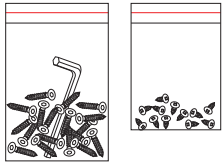
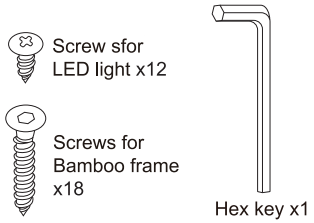
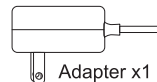
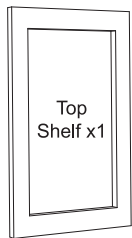
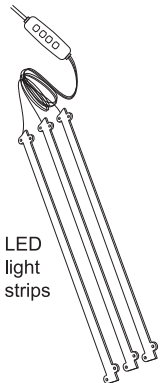


INCLUDED:



Side shelf x2

Bottom shelf x2

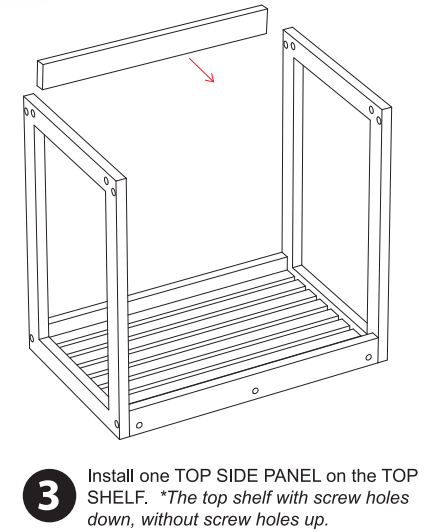
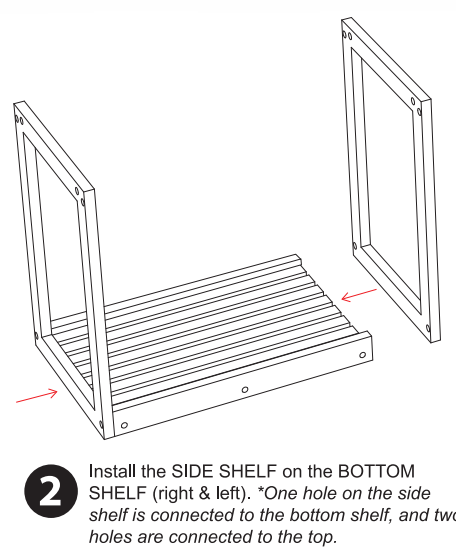
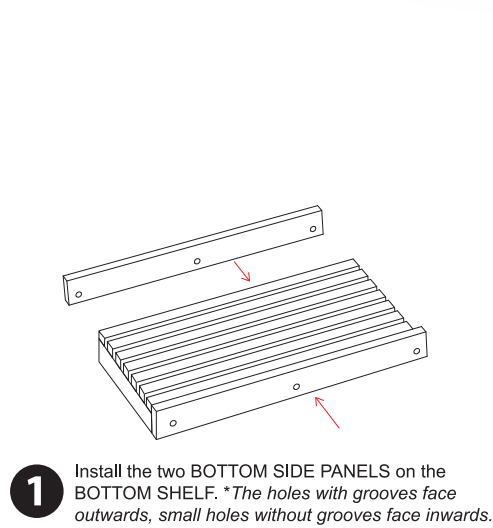


FERRY~MORSE®

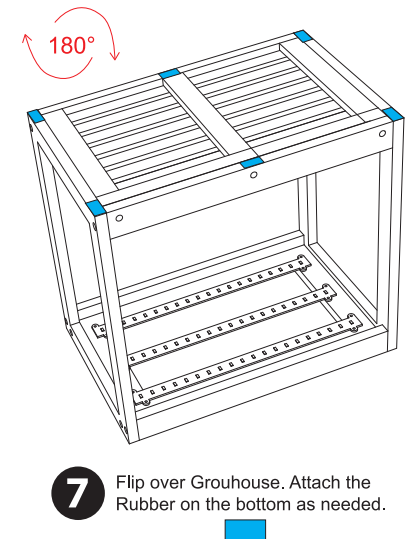
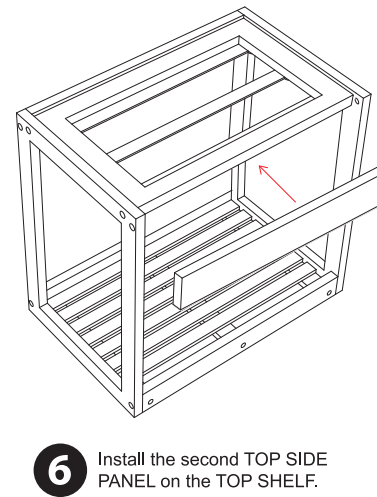
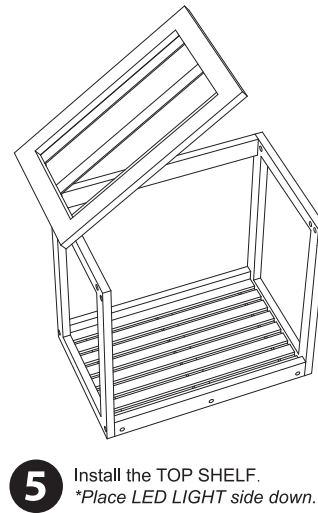
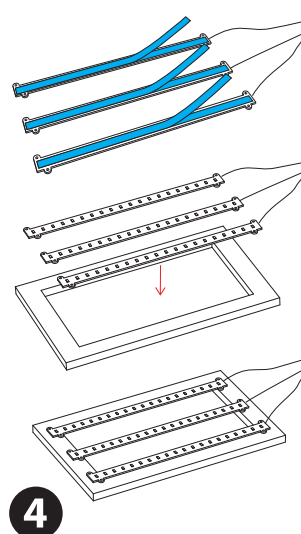
LED GROWHOUSE ASSEMBLY INSTRUCTIONS

**See notes on how to face the pieces for best results.*

Do not tighten the screws too tightly at first. Tighten them uniformly after they are all installed.



PREPARE THE TOP SHELF



FERRYMORSE.COM

DISTRIBUTED BY: GREEN GARDEN PRODUCTS, 202 S. WASHINGTON ST., NORTON, MA 02766
QUESTIONS? 508-285-5800 | MADE IN CHINA