



# COMMERCIAL MOTORS | SUBMITTAL

File No: 48.50  
 Date: AUG. 8, 2012  
 Supersedes: NEW  
 Date: NEW

Job: \_\_\_\_\_ Representative: \_\_\_\_\_

Order no.: \_\_\_\_\_ Date: \_\_\_\_\_

Engineer: \_\_\_\_\_ Submitted by: \_\_\_\_\_ Date: \_\_\_\_\_

Contractor: \_\_\_\_\_ Approved by: \_\_\_\_\_ Date: \_\_\_\_\_

## PERFORMANCE DATA - ODP

HP	RATED SPEED (RPM)	FRAME	FULL LOAD TORQUE (FT.LB)	FULL LOAD CURRENT (A)	460V						WEIGHT (LBS)
					EFFICIENCY % OF FULL LOAD			POWER FACTOR % OF FULL LOAD			
					50	75	100	50	75	100	
1	1730	143	2.99	1.45	82.5	85.5	85.5	54	68	76	38
	1145	145	4.52	1.63	78.5	81.5	82.5	48	61	70	38
	3430	143	2.27	1.9	82.5	85.5	85.5	70	80	87	38
1.5	1740	145	4.47	2.2	82.5	85.5	86.5	52	66	75	44
	1160	182	6.7	2.31	84.0	86.5	86.5	49	62	69	44
	3430	145	3.02	2.5	84.0	85.5	86.5	70	81	87	41
2	1730	145	5.99	2.9	82.5	85.5	86.5	58	70	78	44
	1165	184	8.89	3.03	84.0	86.5	87.5	50	63	71	60
	3430	145	4.53	3.5	86.5	87.5	86.5	75	85	89	45
3	1760	182	8.83	4.06	85.5	88.5	89.5	54	68	76	58
	1170	213	13.3	4.27	85.5	87.5	88.5	52	65	73	66
	3490	182	7.42	6.17	87.5	88.5	88.5	68	80	85	61
5	1755	184	14.8	6.41	88.5	89.5	89.5	63	75	81	62
	1170	215	22.1	6.92	87.5	88.5	89.5	57	69	75	96
	3480	184	11.2	8.97	87.5	88.5	88.5	73	83	87	72
7.5	1760	213	22.1	9.03	89.0	90.2	91.0	68	79	84	77
	1175	254	33.1	9.69	87.5	89.5	90.2	59	72	79	232
	3520	213	14.7	11.9	89.5	90.2	90.2	73	83	88	129
10	1765	215	29.4	12.2	90.0	91.0	91.7	64	76	84	124
	1175	256	44.1	13	89.5	91.0	91.7	58	72	79	251
	3515	215	22.1	17.4	90.2	91.0	91.0	73	82	87	130
15	1775	254	43.8	18.6	91.7	92.4	93.0	60	72	80	242
	1180	284	65.9	17.7	89.5	91.0	91.7	72	81	85	364
	3520	254	29.4	24.6	89.5	90.2	91.0	71	80	84	203
20	1775	256	58.4	25	91.7	93.0	93.0	60	72	81	121
	1180	286	87.8	24	90.2	91.7	92.4	70	80	85	397
	3530	256	36.7	29.8	91.0	91.7	91.7	73	82	85	242
25	1770	284	73.2	29.9	92.4	93.0	93.6	67	78	83	362
	1180	324	110	30.4	91.7	92.4	93.0	67	77	82	463
	3530	284	44	35.2	91.0	92.4	92.4	71	81	85	298
30	1775	286	87.6	35.4	93.0	94.1	94.1	67	78	83	419
	1180	326	132	36	91.7	93.0	93.6	65	77	82	573
	3535	286	58.6	47.1	91.7	93.0	93.0	74	83	86	357
40	1775	324	117	48.2	93.6	94.1	94.1	68	78	83	545
	1185	364	175	48.2	93.0	93.6	94.1	66	77	83	739

2

HP	RATED SPEED (RPM)	FRAME	FULL LOAD TORQUE (FT.LB)	FULL LOAD CURRENT (A)	460V						WEIGHT (LBS)
					EFFICIENCY % OF FULL LOAD			POWER FACTOR % OF FULL LOAD			
					50	75	100	50	75	100	
50	3555	324	72.9	59.1	92.4	93.6	93.6	74	82	84	532
	1775	326	146	61.4	92.5	94.1	94.5	64	75	80	565
60	1780	364	175	69.9	93.6	94.5	95.0	70	80	85	825
	1185	404	262	71.2	93.6	94.1	94.5	68	79	84	915
75	3550	364	109	81.5	93.6	94.1	94.1	83	88	90	526
	1780	365	218	85.5	93.6	94.5	95.0	70	80	85	825
	1180	405	329	85.9	94.1	94.5	94.5	72	81	85	1080
100	3550	365	146	111	94.1	94.5	94.5	84	89	90	587
	1780	404	291	115	94.1	95.0	95.4	70	80	86	1052
	1190	444	435	125	94.5	95.0	95.0	62	74	79	1486
125	3550	404	182	136	94.1	94.5	94.5	86	89	90	986
	1780	405	364	142	94.5	95.4	95.4	73	83	86	1144
	1185	445	547	158	94.5	95.0	95.0	60	72	78	1740
150	3555	405	219	162	94.5	94.5	94.5	86	89	90	1246
	1785	444	435	166	95.0	95.4	95.8	76	84	87	1484
	1185	447	656	183	94.5	95.0	95.4	62	73	79	2007
200	3575	444	290	223	93.6	94.5	95.0	81	87	89	1537
	1780	445	582	223	95.0	95.4	95.8	78	85	88	1740
	1185	449	874	241	95.0	95.4	95.4	69	78	82	2205
250	1780	445	728	275	95.0	95.4	95.8	78	86	88	2029
	1185	449	1093	300	95.4	95.8	95.4	67	77	81	2426

## PERFORMANCE DATA - TEFC

HP	RATED SPEED (RPM)	FRAME	FULL LOAD TORQUE (FT.LB)	FULL LOAD CURRENT (A)	460V						WEIGHT (LBS)
					EFFICIENCY % OF FULL LOAD			POWER FACTOR % OF FULL LOAD			
					50	75	100	50	75	100	
1	3500	143		1.6	0.0	0.0	0.0	0	0	0	41
	1740	143	3.02	1.5	85.5	85.0	83.6	76	71	58	47
	1140	145	4.6	1.7	82.5	82.0	80.2	69	60	47	52
1.5	3500	145	2.2	2	84.0	83.6	82.1	85	78	66	46
	1740	145	4.54	2.2	86.5	86.3	85.0	76	71	58	55
	1165	182	6.8	2.3	87.5	87.0	85.2	71	64	55	95
2	3500	145	3	2.42	85.5	85.1	83.6	90	72	61	52
	1740	145	6.05	2.8	86.5	86.7	86.4	80	75	63	56
	1165	184	9.1	2.9	88.5	88.0	86.4	74	69	56	103
3	3510	182	4.49	3.7	86.5	86.6	86.1	89	87	78	90
	1745	182	9	4	89.5	89.1	87.6	82	77	65	97
	1170	213	13.47	4.2	89.5	89.2	87.7	75	67	54	136
5	3515	184	7.46	5.8	88.5	88.6	88.2	92	93	86	110
	1745	184	15	6.3	89.5	89.8	89.0	85	82	70	112
	1170	215	22.5	6.7	89.5	89.8	88.9	79	74	62	162
7.5	3525	213	11.19	8.8	89.5	89.7	89.2	91	92	88	145
	1750	213	22.51	9	91.7	91.7	91.1	85	84	75	150
	1175	254	33.65	9.8	91.0	91.2	90.5	79	65	54	272
10	3525	215	14.9	11.2	90.2	90.2	90.0	93	94	89	167
	1750	215	30.02	12	91.7	91.8	91.5	86	87	80	167
	1170	256	44.9	13.2	91.0	91.0	90.4	79	74	61	293

HP	RATED SPEED (RPM)	FRAME	FULL LOAD TORQUE (FT.LB)	FULL LOAD CURRENT (A)	460V						WEIGHT (LBS)
					EFFICIENCY % OF FULL LOAD			POWER FACTOR % OF FULL LOAD			
					50	75	100	50	75	100	
15	3515	254	22.4	17.2	91.0	91.1	91.0	91	91	84	286
	1750	254	44.8	18	92.4	92.2	92.0	86	85	75	297
	1175	284	67.07	18.5	91.7	91.7	91.4	84	81	72	363
20	3530	256	29.76	22.5	91.0	90.5	90.4	89	89	86	315
	1750	256	59.8	24	93.0	93.2	93.0	85	86	78	315
	1175	286	89.42	24.5	91.7	91.7	91.5	85	86	78	394
25	3530	284	37.2	28	91.7	91.7	91.1	92	91	86	385
	1760	284	74.3	28.5	93.6	93.0	92.6	90	87	77	392
	1175	324	111.3	29.5	93.0	93.0	92.4	86	84	75	508
30	3530	286	44.5	33.7	91.7	91.7	91.4	92	92	88	409
	1760	286	89.1	34	93.6	93.2	92.7	90	88	80	418
	1180	326	133.56	35.5	93.0	93.0	92.5	85	83	75	537
40	3540	324	59.2	44.5	92.4	92.0	92.0	92	88	82	510
	1760	324	118.8	45	94.1	93.3	92.3	89	86	80	519
	1180	364	178.08	46.5	94.1	94.1	93.6	86	83	76	697
50	3545	326	73.9	55	93.0	92.1	91.4	92	90	84	548
	1765	326	148.4	56	94.5	93.6	93.0	90	87	80	594
	1180	365	222.6	58	94.1	94.2	93.8	87	86	79	752
60	3560	364	88.55	66	93.6	93.0	92.4	92	93	91	704
	1780	364	177.55	67	95.0	94.8	94.2	90	88	82	766
	1180	404		69	0.0	0.0	0.0	0	0	0	1000
75	3560	365	110.69	82.5	93.6	93.0	92.5	92	93	92	766
	1780	365	221.95	83	95.4	94.9	94.5	90	91	85	783
	1180	405	335	85	94.5	93.5	93.0	88	85	78	1120
100	3560	405	147.2	109	94.1	94.0	93.6	92	93	91	1040
	1780	405	295.17	110	95.4	95.1	94.7	90	91	84	1058
	1185	444	442.5	113	95.0	94.2	93.5	88	85	78	1320
125	3565	444	183.75	135	95.0	94.4	93.8	92	93	91	1247
	1780	444	368.93	137	95.4	94.4	94.0	91	93	90	1342
	1185	445	553.5	140	95.0	94.5	93.8	89	85	78	1400
150	3570	445	220.42	162	95.0	94.5	93.8	92	93	91	1408
	1780	445	442.74	164	95.8	95.3	94.6	91	92	90	1672
	1185	447	664.5	165	95.8	95.1	94.5	89	85	78	1800
200	3570	447	293.9	213	95.4	94.8	94.3	93	94	93	1584
	1780	447	590.25	216	96.2	95.8	95.3	91	92	90	1782
	1185	449	885	220	95.8	95.1	94.5	89	85	79	2100
250	1780	449	737.8	270	96.2	96.0	95.3	91	91	90	2150

**DIMENSION - ODP - T FRAMES**

**MOTOR SPECIFICATIONS**

**Enclosure:** ODP

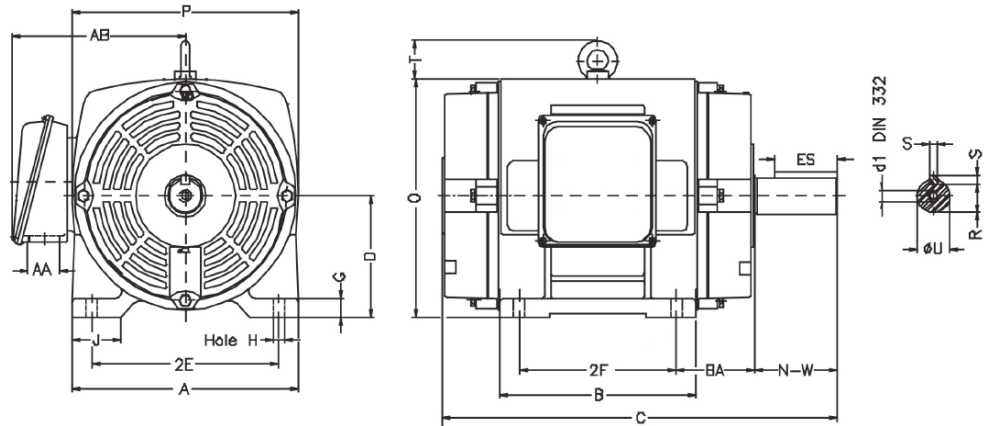
**Efficiency:** NEMA 12.12 premium  
(except 56 frames)

**Mounting:** F1

**Service Factor:** 1.15

**Paint:** Armstrong red

**Accessories:** includes drip cover



FRAME	2E	2F	AB	H	BA	AA (NPT)	A	B	C	D	G	O	P	S	R	U	N-W	ES
143T	5.50	4.00	-	0.34	2.25	0.50	6.54	6.50	12.05	3.50	0.12	6.77	6.54	0.19	0.77	0.88	2.25	1.42
145T	5.50	5.00	-	0.34	2.25	0.50	6.54	6.50	12.84	3.50	0.12	6.77	6.54	0.19	0.77	0.88	2.25	1.42
182T	7.50	4.50	6.58	0.41	2.75	0.75	8.66	6.30	13.50	4.50	0.19	8.31	7.64	0.25	0.98	1.13	2.75	1.97
184T	7.50	5.50	6.58	0.41	2.75	0.75	8.66	6.30	14.29	4.50	0.19	8.31	7.64	0.25	0.98	1.13	2.75	1.97
213T	8.50	5.50	7.80	0.41	3.49	0.75	9.45	7.95	17.17	5.25	0.19	9.84	8.78	0.31	1.20	1.38	3.38	2.48
215T	8.50	7.00	7.80	0.41	3.49	0.75	9.45	7.95	17.17	5.25	0.19	9.84	8.78	0.31	1.20	1.38	3.38	2.48
254T	10.00	8.25	10.08	0.53	4.25	1.50	12.13	10.10	20.67	6.25	0.79	12.20	11.81	0.38	1.41	1.63	4.00	2.76
256T	10.00	10.00	10.08	0.53	4.25	1.50	12.13	11.73	22.40	6.25	0.79	12.20	11.81	0.38	1.41	1.63	4.00	2.76
284T	11.00	9.50	10.89	0.53	4.75	1.50	13.78	11.57	23.39	7.00	1.10	13.86	13.70	0.50	1.59	1.88	4.62	3.15
286T	11.00	11.00	10.89	0.53	4.75	1.50	13.78	13.07	24.88	7.00	1.10	13.86	13.70	0.50	1.59	1.88	4.62	3.15
284TS	11.00	9.50	10.89	0.53	4.75	1.50	13.78	11.57	22.00	7.00	1.10	13.86	13.70	0.38	1.41	1.63	3.25	2.48
286TS	11.00	11.00	10.89	0.53	4.75	1.50	13.78	13.07	23.50	7.00	1.10	13.86	13.70	0.38	1.41	1.63	3.25	2.48
324T	12.50	10.50	11.50	0.66	5.25	2.00	15.16	13.07	26.18	8.00	1.30	15.55	15.12	0.50	1.84	2.13	5.25	3.94
326T	12.50	12.00	11.50	0.66	5.25	2.00	15.16	14.57	27.67	8.00	1.30	15.55	15.12	0.50	1.84	2.13	5.25	3.94
324TS	12.50	10.50	11.50	0.66	5.25	2.00	15.16	13.07	24.69	8.00	1.30	15.55	15.12	0.50	1.59	1.88	3.75	2.76
326TS	12.50	12.00	11.50	0.66	5.25	2.00	15.16	14.57	26.18	8.00	1.30	15.55	15.12	0.50	1.59	1.88	3.75	2.76
364T	14.00	11.25	16.38	0.66	5.88	3.00	17.17	15.40	29.76	9.00	1.48	18.43	17.87	0.63	2.02	2.38	5.87	4.33
365T	14.00	12.25	16.38	0.66	5.88	3.00	17.17	15.40	29.76	9.00	1.48	18.43	17.87	0.63	2.02	2.38	5.87	4.33
364TS	14.00	11.25	16.38	0.66	5.88	3.00	17.17	15.40	27.64	9.00	1.48	18.43	17.87	0.50	1.59	1.88	3.75	1.97
365TS	14.00	12.25	16.38	0.66	5.88	3.00	17.17	15.40	27.64	9.00	1.48	18.43	17.87	0.50	1.59	1.88	3.75	1.97
404T	16.00	12.25	16.38	0.81	6.63	3.00	19.95	17.70	34.13	10.00	1.97	19.41	17.87	0.75	2.45	2.88	7.25	5.51
405T	16.00	13.75	16.38	0.81	6.63	3.00	19.95	17.70	34.13	10.00	1.97	19.41	17.87	0.75	2.45	2.88	7.25	5.51
404TS	16.00	12.25	16.38	0.81	6.63	3.00	19.95	17.70	31.14	10.00	1.97	19.41	17.87	0.50	1.84	2.13	4.25	2.76
405TS	16.00	13.75	16.38	0.81	6.63	3.00	19.95	17.70	31.14	10.00	1.97	19.41	17.87	0.50	1.84	2.13	4.25	2.76
444T	18.00	14.50	20.24	0.81	7.50	3.00	21.93	20.08	39.80	11.00	1.81	22.44	22.13	0.88	2.88	3.38	8.50	7.09
445T	18.00	16.50	20.24	0.81	7.50	3.00	21.93	20.08	39.80	11.00	1.81	22.44	22.13	0.88	2.88	3.38	8.50	7.09
444TS	18.00	14.50	20.24	0.81	7.50	3.00	21.93	20.08	36.06	11.00	1.81	22.44	22.13	0.63	2.02	2.38	4.75	3.00
445TS	18.00	16.50	20.24	0.81	7.50	3.00	21.93	20.08	36.06	11.00	1.81	22.44	22.13	0.63	2.02	2.38	4.75	3.00
447T	18.00	20.00	28.90	0.81	7.50	3.00	23.46	20.08	48.32	11.00	1.81	22.44	10.47	0.88	2.88	3.38	8.50	7.09
449T	18.00	25.00	28.90	0.81	7.50	3.00	23.46	20.08	48.32	11.00	1.81	22.44	10.47	0.88	2.88	3.38	8.50	7.09
447TS	18.00	25.00	28.90	0.81	7.50	3.00	23.46	20.08	44.57	11.00	1.81	22.44	10.47	0.63	2.02	2.38	4.75	3.00
449TS	18.00	25.00	28.90	0.81	7.50	3.00	23.46	20.08	44.57	11.00	1.81	22.44	10.47	0.63	2.02	2.38	4.75	3.00

\*Dimensions shown are typical. For certified drawings, please contact factory.

**DIMENSION - TEFC - T FRAMES**

**MOTOR SPECIFICATIONS**

**Enclosure:** TEFC

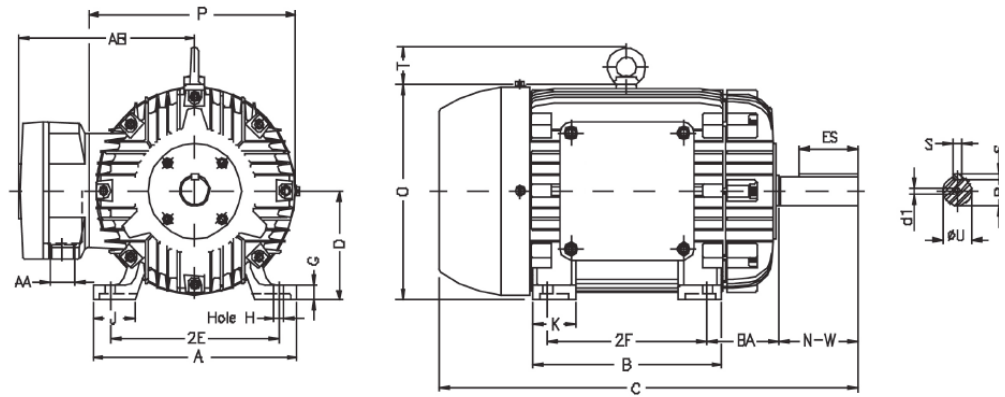
**Efficiency:** NEMA 12.12 premium  
(except 56 frames)

**Mounting:** F1

**Service Factor:** 1.15

**Paint:** Armstrong red

**Accessories:** N/A



FRAME	2E	2F	AB	H	BA	AA (NPT)	A	B	C	D	G	O	P	R	S	ES	N-W	U
143T	5.50	4.00	6.10	0.34	2.25	0.75	7.00	5.20	12.60	3.50	0.50	7.10	6.95	0.77	0.19	1.41	2.25	0.88
145T	5.50	5.00	6.10	0.34	2.25	0.75	7.00	6.20	13.60	3.50	0.50	7.10	6.95	0.77	0.19	1.41	2.25	0.88
182T	7.50	4.50	7.50	0.41	2.75	0.75	9.50	6.30	15.10	4.50	0.70	9.10	8.70	0.99	0.25	1.78	2.75	1.13
184T	7.50	5.50	7.50	0.41	2.75	0.75	9.50	7.30	16.10	4.50	0.70	9.10	8.70	0.99	0.25	1.78	2.75	1.13
213T	8.50	5.50	8.30	0.41	3.50	1.00	11.00	7.87	18.90	5.25	0.80	10.50	10.20	1.20	0.31	2.41	3.38	1.38
215T	8.50	7.00	8.30	0.41	3.50	1.00	11.00	9.37	20.40	5.25	0.80	10.50	10.20	1.20	0.31	2.41	3.38	1.38
254T	10.00	8.25	10.10	0.53	4.25	1.25	13.00	10.40	23.20	6.25	0.80	13.00	12.40	1.42	0.38	2.91	4.00	1.63
256T	10.00	10.00	10.10	0.53	4.25	1.25	13.00	12.20	25.00	6.25	0.80	13.00	12.40	1.42	0.38	2.91	4.00	1.63
284T	11.00	9.50	11.30	0.53	4.75	1.50	14.00	11.70	26.60	7.00	0.80	14.50	14.00	1.59	0.50	3.28	4.62	1.88
284TS	11.00	9.50	11.30	0.53	4.75	1.50	14.00	11.70	25.20	7.00	0.80	14.50	14.00	1.42	0.38	1.91	3.25	1.63
286T	11.00	11.00	11.30	0.53	4.75	1.50	14.00	13.20	28.10	7.00	0.80	14.50	14.00	1.59	0.50	3.28	4.62	1.88
286TS	11.00	11.00	11.30	0.53	4.75	1.50	14.00	13.20	26.70	7.00	0.80	14.50	14.00	1.42	0.38	1.91	3.25	1.63
324T	12.50	10.50	12.30	0.66	5.25	2.00	15.50	13.20	29.80	8.00	1.00	15.90	15.70	1.85	0.50	3.91	5.25	2.13
324TS	12.50	10.50	12.30	0.66	5.25	2.00	15.50	13.20	28.30	8.00	1.00	15.90	15.70	1.59	0.50	2.03	3.75	1.88
326T	12.50	12.00	12.30	0.66	5.25	2.00	15.50	14.70	31.30	8.00	1.00	15.90	15.70	1.85	0.50	3.91	5.25	2.13
326TS	12.50	12.00	12.30	0.66	5.25	2.00	15.50	14.70	29.80	8.00	1.00	15.90	15.70	1.59	0.50	2.03	3.75	1.88
364T	14.00	11.25	14.60	0.66	5.88	3.00	17.10	14.40	32.50	9.00	1.10	18.10	17.60	2.02	0.63	4.28	5.88	2.38
364TS	14.00	11.25	14.60	0.66	5.88	3.00	17.10	14.40	30.40	9.00	1.10	18.10	17.60	1.59	0.50	2.03	3.75	1.88
365T	14.00	12.25	14.60	0.66	5.88	3.00	17.10	15.40	33.50	9.00	1.10	18.10	17.60	2.02	0.63	4.28	5.88	2.38
365TS	14.00	12.25	14.60	0.66	5.88	3.00	17.10	15.40	31.40	9.00	1.10	18.10	17.60	1.59	0.50	2.03	3.75	1.88
404T	16.00	12.25	15.60	0.81	6.62	3.00	19.30	16.40	36.70	10.00	1.20	19.80	19.10	2.45	0.75	5.65	7.25	2.88
404TS	16.00	12.25	15.60	0.81	6.62	3.00	19.30	16.40	33.70	10.00	1.20	19.80	19.10	1.85	0.50	2.78	4.25	2.13
405T	16.00	13.75	15.60	0.81	6.62	3.00	19.30	17.90	38.20	10.00	1.20	19.80	19.10	2.45	0.75	5.65	7.25	2.88
405TS	16.00	13.75	15.60	0.81	6.62	3.00	19.30	17.90	35.20	10.00	1.20	19.80	19.10	1.85	0.50	2.78	4.25	2.13
444T	18.00	14.50	16.60	0.81	7.50	3.00	21.70	22.90	44.30	11.00	1.30	22.10	21.60	2.88	0.88	6.91	8.50	3.38
444TS	18.00	14.50	16.60	0.81	7.50	3.00	21.70	22.90	40.60	11.00	1.30	22.10	21.60	2.02	0.63	3.03	4.75	2.38
445T	18.00	16.50	16.60	0.81	7.00	3.00	21.70	22.90	44.30	11.00	1.30	22.10	21.60	2.88	0.88	6.91	8.50	3.38
445TS	18.00	16.50	16.60	0.81	7.50	3.00	21.70	22.90	40.60	11.00	1.30	22.10	21.60	2.02	0.63	3.03	4.75	2.38
447T	18.00	20.00	16.60	0.81	7.50	3.00	21.70	26.40	47.80	11.00	1.30	22.10	21.60	2.88	0.88	6.91	8.50	3.38
447TS	18.00	20.00	16.60	0.81	7.50	3.00	21.70	26.40	44.10	11.00	1.30	22.10	21.60	2.02	0.63	3.03	4.75	2.38
449T	18.00	25.00	16.60	0.81	7.50	3.00	21.70	31.40	52.80	11.00	1.30	22.10	21.60	2.88	0.88	6.91	8.50	3.38
449TS	18.00	25.00	16.60	0.81	7.50	3.00	21.70	31.40	49.10	11.00	1.30	22.10	21.60	2.02	0.63	3.03	4.75	2.38

\*Dimensions shown are typical. For certified drawings, please contact factory.

**DIMENSION - ODP - JM AND JP FRAMES**

**MOTOR SPECIFICATIONS**

**Enclosure:** ODP

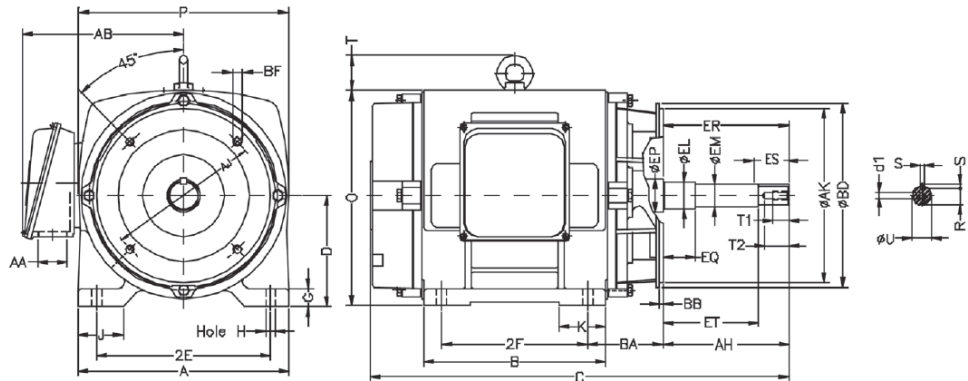
**Efficiency:** NEMA 12.12 premium  
(except 56 frames)

**Mounting:** F1

**Service Factor:** 1.15

**Paint:** Armstrong red

**Accessories:** includes drip cover,  
bronze shaft sleeves



**JM FRAMES**

FRAME	BA	AJ	AK	BB	BD	BF TAP	BF NO.	C	AH	EQ	ET	U	EM	EL	S	R	ES	D1
143JM	2.25	5.87	4.50	0.16	6.50	UNC $\frac{3}{8}$ " x 16	4	14.84	4.26	0.63	2.88	0.87	1.00	1.16	0.19	0.77	1.65	UNC $\frac{3}{8}$ " - 16
145JM	2.25	5.87	4.50	0.16	6.50	UNC $\frac{3}{8}$ " x 16	4	14.84	4.26	0.63	2.88	0.87	1.00	1.16	0.19	0.77	1.65	UNC $\frac{3}{8}$ " - 16
182JM	2.75	5.87	4.50	0.25	6.54	UNC $\frac{3}{8}$ " x 16	4	14.53	4.26	0.63	2.88	0.87	1.25	1.16	0.19	0.77	1.65	UNC $\frac{3}{8}$ " - 16
184JM	2.75	5.87	4.50	0.25	6.54	UNC $\frac{3}{8}$ " x 16	4	15.32	4.26	0.63	2.88	0.87	1.25	1.16	0.19	0.77	1.65	UNC $\frac{3}{8}$ " - 16
213JM	3.50	7.25	8.50	0.25	8.86	UNC $\frac{1}{2}$ " x 13	4	17.32	4.26	0.63	2.88	0.87	1.25	1.16	0.19	0.77	1.65	UNC $\frac{3}{8}$ " - 16
215JM	3.50	7.25	8.50	0.25	8.86	UNC $\frac{1}{2}$ " x 13	4	17.32	4.26	0.63	2.88	0.87	1.25	1.16	0.19	0.77	1.65	UNC $\frac{3}{8}$ " - 16
254JM	4.50	7.25	8.50	0.25	8.86	UNC $\frac{1}{2}$ " x 13	4	22.17	5.25	0.63	3.01	1.25	1.25	1.16	0.19	0.77	1.65	UNC $\frac{3}{8}$ " - 16
256JM	4.50	7.25	8.50	0.25	8.86	UNC $\frac{1}{2}$ " x 13	4	23.90	5.25	0.63	3.01	1.25	1.38	1.75	0.25	1.11	2.48	UNC $\frac{1}{2}$ " - 13
284JM	5.00	11.00	12.50	0.25	14.00	UNC $\frac{5}{8}$ " x 11	4	24.26	5.25	0.63	3.01	1.25	1.38	1.75	0.25	1.11	2.48	UNC $\frac{1}{2}$ " - 13
286JM	5.00	11.00	12.50	0.25	14.00	UNC $\frac{5}{8}$ " x 11	4	25.75	5.25	0.63	3.01	1.25	1.38	1.75	0.25	1.11	2.48	UNC $\frac{1}{2}$ " - 13
324JM	5.50	11.00	12.50	0.25	13.19	UNC $\frac{5}{8}$ " x 11	4	26.43	5.25	0.63	3.01	1.25	1.38	1.75	0.25	1.11	2.48	UNC $\frac{1}{2}$ " - 13
326JM	5.50	11.00	12.50	0.25	13.19	UNC $\frac{5}{8}$ " x 11	4	27.93	5.25	0.63	3.01	1.25	1.38	1.75	0.25	1.11	2.48	UNC $\frac{1}{2}$ " - 13
364JM	5.88	11.00	12.50	0.25	13.19	UNC $\frac{5}{8}$ " x 11	4	29.14	5.25	0.63	3.01	1.25	1.38	1.75	0.25	1.11	2.48	UNC $\frac{1}{2}$ " - 13
365JM	5.88	11.00	12.50	0.25	13.19	UNC $\frac{5}{8}$ " x 11	4	29.14	5.25	0.63	3.01	1.25	1.38	1.75	0.25	1.11	2.48	UNC $\frac{1}{2}$ " - 13

**JP FRAMES**

FRAME	BA	AJ	AK	BB	BD	BF TAP	BF NO.	C	AH	EQ	ET	U	EM	EL	S	R	ES	D1
143JP	2.50	5.87	4.50	0.16	6.50	UNC $\frac{3}{8}$ " x 16	4	17.91	7.32	1.56	5.94	0.87	1.00	1.25	0.19	0.77	1.65	UNC $\frac{3}{8}$ " - 16
145JP	2.50	5.87	4.50	0.16	6.50	UNC $\frac{3}{8}$ " x 16	4	17.91	7.32	1.56	5.94	0.87	1.00	1.25	0.19	0.77	1.65	UNC $\frac{3}{8}$ " - 16
182JP	2.75	5.87	4.50	0.25	6.54	UNC $\frac{3}{8}$ " x 16	4	20.24	7.32	1.56	5.94	0.87	1.00	1.25	0.19	0.77	1.65	UNC $\frac{3}{8}$ " - 16
184JP	2.75	5.87	4.50	0.25	6.54	UNC $\frac{3}{8}$ " x 16	4	21.02	7.32	1.56	5.94	0.87	1.00	1.25	0.19	0.77	1.65	UNC $\frac{3}{8}$ " - 16
213JP	3.50	7.25	8.50	0.25	8.86	UNC $\frac{1}{2}$ " x 13	4	21.24	8.13	2.38	5.89	1.25	1.38	1.75	0.25	1.11	2.48	UNC $\frac{3}{8}$ " - 16
215JP	3.50	7.25	8.50	0.25	8.86	UNC $\frac{1}{2}$ " x 13	4	21.24	8.13	2.38	5.89	1.25	1.38	1.75	0.25	1.11	2.48	UNC $\frac{3}{8}$ " - 16
254JP	4.50	7.25	8.50	0.25	8.86	UNC $\frac{1}{2}$ " x 13	4	25.05	8.13	2.38	5.89	1.25	1.38	1.75	0.25	1.11	2.48	UNC $\frac{3}{8}$ " - 16
256JP	4.50	7.25	8.50	0.25	8.86	UNC $\frac{1}{2}$ " x 13	4	26.78	8.13	2.38	5.89	1.25	1.38	1.75	0.25	1.11	2.48	UNC $\frac{1}{2}$ " - 13
284JP	5.00	11.00	12.50	0.25	14.00	UNC $\frac{5}{8}$ " x 11	4	27.14	8.13	2.38	5.89	1.25	1.38	1.75	0.25	1.11	2.48	UNC $\frac{1}{2}$ " - 13
286JP	5.00	11.00	12.50	0.25	14.00	UNC $\frac{5}{8}$ " x 11	4	28.63	8.13	2.38	5.89	1.25	1.38	1.75	0.25	1.11	2.48	UNC $\frac{1}{2}$ " - 13
324JP	5.50	11.00	12.50	0.25	13.19	UNC $\frac{5}{8}$ " x 11	4	29.31	8.13	2.38	5.89	1.25	1.38	1.75	0.25	1.11	2.48	UNC $\frac{1}{2}$ " - 13
326JP	5.50	11.00	12.50	0.25	13.19	UNC $\frac{5}{8}$ " x 11	4	30.81	8.13	2.38	5.89	1.25	1.38	1.75	0.25	1.11	2.48	UNC $\frac{1}{2}$ " - 13
364JP	5.88	11.00	12.50	0.25	13.19	UNC $\frac{5}{8}$ " x 11	4	32.02	8.13	2.38	5.89	1.62	1.75	2.13	0.38	1.41	2.48	UNC $\frac{1}{2}$ " - 13
365JP	5.88	11.00	12.50	0.25	13.19	UNC $\frac{5}{8}$ " x 11	4	32.02	8.13	2.38	5.89	1.62	1.75	2.13	0.38	1.41	2.48	UNC $\frac{1}{2}$ " - 13

\*Dimensions shown are typical. For certified drawings, please contact factory.

**DIMENSION - TEFC - JM AND JP FRAMES**

**MOTOR SPECIFICATIONS**

**Enclosure:** TEFC

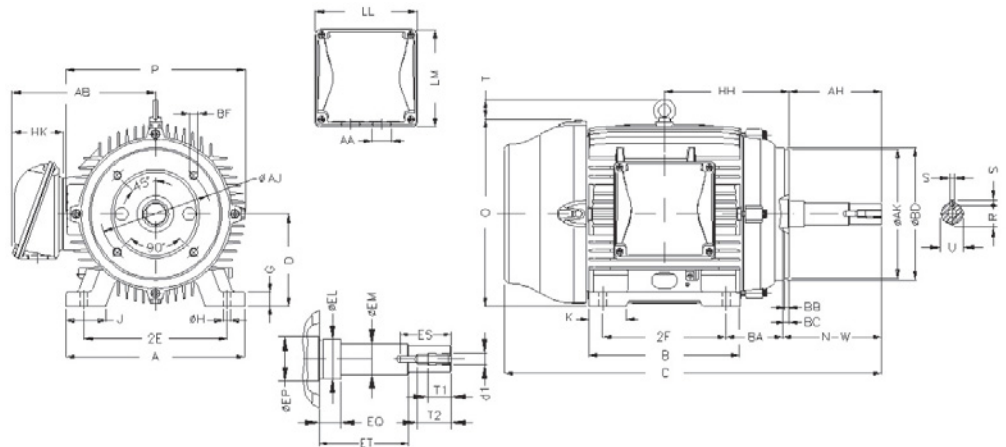
**Efficiency:** NEMA 12.12 premium  
(except 56 frames)

**Mounting:** F1

**Service Factor:** 1.15

**Paint:** Armstrong red

**Accessories:** includes bronze shaft sleeves



**JM FRAMES**

FRAME	BA	AJ	AK	BB	BD	BF TAP	BF NO.	C	AH	EQ	ET	U	EM	EL	S	R	ES	D1
143JM	2.87	5.87	4.50	0.16	6.50	UNC $\frac{3}{8}$ " x 16	4	15.20	4.26	0.63	2.88	0.87	1.00	1.16	0.19	0.77	1.65	UNC $\frac{3}{8}$ " - 16
145JM	2.87	5.87	4.50	0.16	6.50	UNC $\frac{3}{8}$ " x 16	4	16.20	4.26	0.63	2.88	0.87	1.00	1.16	0.19	0.77	1.65	UNC $\frac{3}{8}$ " - 16
182JM	3.62	5.87	4.50	0.25	6.54	UNC $\frac{3}{8}$ " x 16	4	17.50	4.26	0.63	2.88	0.87	1.25	1.16	0.19	0.77	1.65	UNC $\frac{3}{8}$ " - 16
184JM	3.62	5.87	4.50	0.25	6.54	UNC $\frac{3}{8}$ " x 16	4	18.50	4.26	0.63	2.88	0.87	1.25	1.16	0.19	0.77	1.65	UNC $\frac{3}{8}$ " - 16
213JM	4.50	7.25	8.50	0.25	8.86	UNC $\frac{1}{2}$ " x 13	4	20.80	4.26	0.63	2.88	0.87	1.25	1.16	0.19	0.77	1.65	UNC $\frac{3}{8}$ " - 16
215JM	4.50	7.25	8.50	0.25	8.86	UNC $\frac{1}{2}$ " x 13	4	22.30	4.26	0.63	2.88	0.87	1.25	1.16	0.19	0.77	1.65	UNC $\frac{3}{8}$ " - 16
254JM	5.00	7.25	8.50	0.25	8.86	UNC $\frac{1}{2}$ " x 13	4	24.70	5.25	0.63	3.01	1.25	1.25	1.16	0.19	0.77	1.65	UNC $\frac{3}{8}$ " - 16
256JM	5.00	7.25	8.50	0.25	8.86	UNC $\frac{1}{2}$ " x 13	4	26.50	5.25	0.63	3.01	1.25	1.38	1.75	0.25	1.11	2.48	UNC $\frac{1}{2}$ " - 13
284JM	5.00	11.00	12.50	0.25	14.00	UNC $\frac{5}{8}$ " x 11	4	27.50	5.25	0.63	3.01	1.25	1.38	1.75	0.25	1.11	2.48	UNC $\frac{1}{2}$ " - 13
286JM	5.00	11.00	12.50	0.25	14.00	UNC $\frac{5}{8}$ " x 11	4	29.10	5.25	0.63	3.01	1.25	1.38	1.75	0.25	1.11	2.48	UNC $\frac{1}{2}$ " - 13
324JM	5.50	11.00	12.50	0.25	13.19	UNC $\frac{5}{8}$ " x 11	4	30.00	5.25	0.63	3.01	1.25	1.38	1.75	0.25	1.11	2.48	UNC $\frac{1}{2}$ " - 13
326JM	5.50	11.00	12.50	0.25	13.19	UNC $\frac{5}{8}$ " x 11	4	31.50	5.25	0.63	3.01	1.25	1.38	1.75	0.25	1.11	2.48	UNC $\frac{1}{2}$ " - 13
364JM	CF	11.00	12.50	0.25	13.19	UNC $\frac{5}{8}$ " x 11	4	CF	5.25	0.63	3.01	1.25	1.38	1.75	0.25	1.11	2.48	UNC $\frac{1}{2}$ " - 13
365JM	CF	11.00	12.50	0.25	13.19	UNC $\frac{5}{8}$ " x 11	4	CF	5.25	0.63	3.01	1.25	1.38	1.75	0.25	1.11	2.48	UNC $\frac{1}{2}$ " - 13

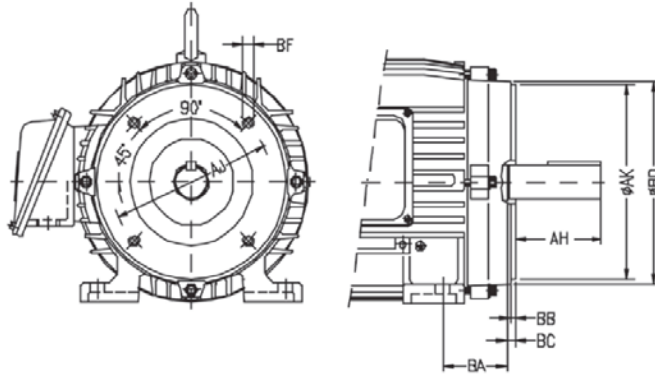
**JP FRAMES**

FRAME	BA	AJ	AK	BB	BD	BF TAP	BF NO.	C	AH	EQ	ET	U	EM	EL	S	R	ES	D1
143JP	2.87	5.87	4.50	0.16	6.50	UNC $\frac{3}{8}$ " x 16	4	18.30	7.32	1.56	5.94	0.87	1.00	1.25	0.19	0.77	1.65	UNC $\frac{3}{8}$ " - 16
145JP	2.87	5.87	4.50	0.16	6.50	UNC $\frac{3}{8}$ " x 16	4	19.30	7.32	1.56	5.94	0.87	1.00	1.25	0.19	0.77	1.65	UNC $\frac{3}{8}$ " - 16
182JP	3.62	5.87	4.50	0.25	6.54	UNC $\frac{3}{8}$ " x 16	4	20.50	7.32	1.56	5.94	0.87	1.00	1.25	0.19	0.77	1.65	UNC $\frac{3}{8}$ " - 16
184JP	3.62	5.87	4.50	0.25	6.54	UNC $\frac{3}{8}$ " x 16	4	21.50	7.32	1.56	5.94	0.87	1.00	1.25	0.19	0.77	1.65	UNC $\frac{3}{8}$ " - 16
213JP	4.50	7.25	8.50	0.25	8.86	UNC $\frac{1}{2}$ " x 13	4	24.70	8.13	2.38	5.89	1.25	1.38	1.75	0.25	1.11	2.48	UNC $\frac{3}{8}$ " - 16
215JP	4.50	7.25	8.50	0.25	8.86	UNC $\frac{1}{2}$ " x 13	4	26.20	8.13	2.38	5.89	1.25	1.38	1.75	0.25	1.11	2.48	UNC $\frac{3}{8}$ " - 16
254JP	5.00	7.25	8.50	0.25	8.86	UNC $\frac{1}{2}$ " x 13	4	27.60	8.13	2.38	5.89	1.25	1.38	1.75	0.25	1.11	2.48	UNC $\frac{3}{8}$ " - 16
256JP	5.00	7.25	8.50	0.25	8.86	UNC $\frac{1}{2}$ " x 13	4	29.40	8.13	2.38	5.89	1.25	1.38	1.75	0.25	1.11	2.48	UNC $\frac{1}{2}$ " - 13
284JP	5.00	11.00	12.50	0.25	14.00	UNC $\frac{5}{8}$ " x 11	4	30.30	8.13	2.38	5.89	1.25	1.38	1.75	0.25	1.11	2.48	UNC $\frac{1}{2}$ " - 13
286JP	5.00	11.00	12.50	0.25	14.00	UNC $\frac{5}{8}$ " x 11	4	31.80	8.13	2.38	5.89	1.25	1.38	1.75	0.25	1.11	2.48	UNC $\frac{1}{2}$ " - 13
324JP	5.50	11.00	12.50	0.25	13.19	UNC $\frac{5}{8}$ " x 11	4	33.00	8.13	2.38	5.89	1.25	1.38	1.75	0.25	1.11	2.48	UNC $\frac{1}{2}$ " - 13
326JP	5.50	11.00	12.50	0.25	13.19	UNC $\frac{5}{8}$ " x 11	4	34.30	8.13	2.38	5.89	1.25	1.38	1.75	0.25	1.11	2.48	UNC $\frac{1}{2}$ " - 13
364JP	CF	11.00	12.50	0.25	13.19	UNC $\frac{5}{8}$ " x 11	4	CF	8.13	2.38	5.89	1.62	1.75	2.13	0.38	1.41	2.48	UNC $\frac{1}{2}$ " - 13
365JP	CF	11.00	12.50	0.25	13.19	UNC $\frac{5}{8}$ " x 11	4	CF	8.13	2.38	5.89	1.62	1.75	2.13	0.38	1.41	2.48	UNC $\frac{1}{2}$ " - 13

\*Dimensions shown are typical. For certified drawings, please contact factory.



## DIMENSION - C FLANGE



FRAME	BA	AJ	AK	AH	BB	BC	BD	BF TAP	BF NO.
143TC	2.25	5.88	4.50	2.13	0.16	0.13	6.50	UNC 3/8" x 16	4
145TC	2.25	5.88	4.50	2.13	0.16	0.13	6.50	UNC 3/8" x 16	4
182TC	2.75	7.25	8.50	2.63	0.25	0.13	8.88	UNC 1/2" x 13	4
184TC	2.75	7.25	8.50	2.63	0.25	0.13	8.88	UNC 1/2" x 13	4
213TC	3.50	7.25	8.50	3.13	0.25	0.25	8.88	UNC 1/2" x 13	4
215TC	3.50	7.25	8.50	3.13	0.25	0.25	8.88	UNC 1/2" x 13	4
254TC	4.25	7.25	8.50	3.75	0.25	0.25	8.88	UNC 1/2" x 13	4
256TC	4.25	7.25	8.50	3.75	0.25	0.25	8.88	UNC 1/2" x 13	4
284TC	4.75	9.00	10.50	4.38	0.25	0.25	11.03	UNC 5/8" x 11	4
286TC	4.75	9.00	10.50	4.38	0.25	0.25	11.03	UNC 5/8" x 11	4
284TSC	4.75	9.00	10.50	3.00	0.25	0.25	11.03	UNC 5/8" x 11	4
286TSC	4.75	9.00	10.50	3.00	0.25	0.25	11.03	UNC 5/8" x 11	4
324TC	5.25	11.00	12.50	5.00	0.25	0.25	13.58	UNC 5/8" x 11	8
326TC	5.25	11.00	12.50	5.00	0.25	0.25	13.58	UNC 5/8" x 11	8
324TSC	5.25	11.00	12.50	3.50	0.25	0.25	13.58	UNC 5/8" x 11	8
326TSC	5.25	11.00	12.50	3.50	0.25	0.25	13.58	UNC 5/8" x 11	8
364TC	5.88	11.00	12.50	5.63	0.25	0.25	15.55	UNC 5/8" x 11	8
365TC	5.88	11.00	12.50	5.63	0.25	0.25	15.55	UNC 5/8" x 11	8
364TSC	5.88	11.00	12.50	3.50	0.25	0.25	15.55	UNC 5/8" x 11	8
365TSC	5.88	11.00	12.50	3.50	0.25	0.25	15.55	UNC 5/8" x 11	8
404TC	6.63	11.00	12.50	7.00	0.25	0.25	17.91	UNC 5/8" x 11	8
405TC	6.63	11.00	12.50	7.00	0.25	0.25	17.91	UNC 5/8" x 11	8
404TSC	6.63	11.00	12.50	4.00	0.25	0.25	17.91	UNC 5/8" x 11	8
405TSC	6.63	11.00	12.50	4.00	0.25	0.25	17.91	UNC 5/8" x 11	8
444TC	7.50	14.00	16.00	8.25	0.25	0.25	17.91	UNC 5/8" x 11	8
445TC	7.50	14.00	16.00	8.25	0.25	0.25	17.91	UNC 5/8" x 11	8
444TSC	7.50	14.00	16.00	4.50	0.25	0.25	17.91	UNC 5/8" x 11	8
445TSC	7.50	14.00	16.00	4.50	0.25	0.25	17.91	UNC 5/8" x 11	8
447TC	7.50	14.00	16.00	8.25	0.25	0.25	17.91	UNC 5/8" x 11	8
449TC	7.50	14.00	16.00	8.25	0.25	0.25	17.91	UNC 5/8" x 11	8
447TSC	7.50	14.00	16.00	4.50	0.25	0.25	17.91	UNC 5/8" x 11	8
449TSC	7.50	14.00	16.00	4.50	0.25	0.25	17.91	UNC 5/8" x 11	8

\*Dimensions shown are typical. For certified drawings, please contact factory.

**TORONTO**  
+416 755 2291

**BUFFALO**  
+716 693 8813

**BIRMINGHAM**  
+44 (0) 8444 145 145

**MANCHESTER**  
+44 (0) 8444 145 145

**BANGALORE**  
+91 (0) 80 4906 3555

**SHANGHAI**  
+86 21 3756 6696

**ARMSTRONG INTEGRATED**  
ESTABLISHED 1934

[ARMSTRONGINTEGRATED.COM](http://ARMSTRONGINTEGRATED.COM)