

ASTRO 2 HOT WATER RE-CIRCULATION SYSTEM | SUBMITTAL

File No: 10.585
 Date: JULY 14, 2015
 Supersedes: 10.585
 Date: APRIL 4, 2011

Job: _____ Representative: _____
 _____ Ordered by: _____ Date: _____
 Engineer: _____ Submitted by: _____ Date: _____
 Contractor: _____ Approved by: _____ Date: _____

QUANTITY	TAG NO.	MODEL NO.	FLOW (USgpm)	HEAD (feet)	COMMENTS

TECHNICAL DATA

Power connection: 6.0 ft (1.8 m) power cord, molded duplex plug with ground

Environment: Indoor use only

Max. working pressure: 150 PSI (1034 kpa)

Ambient temperature: 39°F (4°C) to 104°F (40°C)

Max. water temperature: 230°F (110°C)

Low temperature switchpoint^①: 85°F (29°C) ± 10%

High temperature switchpoint^①: 105°F (40°C) ± 10%

Clock/timer: 12 hour analog clock with AM/PM indication

Timer settings: Individual mechanical toggles for each 15 minute interval over 24 hours

Manual override: 3 position slide switch, ON/OFF/AUTO

Approvals:  listed

NSF-372 certified

NOTE:

① High/low temperature switchpoints are as measured on pipe surface with the Aquastat (TA models only).

HOT WATER RE-CIRCULATION SYSTEM APPLICATIONS

Armstrong Astro 2 hot water re-circulation systems automatically circulate water through domestic hot water distribution pipes. This helps to ensure that everyone in the household has 'instant' hot water at the tap when they need it, while also helping to conserve water and save water heating energy costs. All systems are assembled, wired, tested and then shipped from the factory, ready for installation.

MATERIALS OF CONSTRUCTION

(Wetted parts)

Pump casing: Lead free bronze* (BS models),
 Stainless steel* (SS models)

Pump shaft: Ceramic

Impeller: Noryl

Bearings: Ceramic

NOTE:

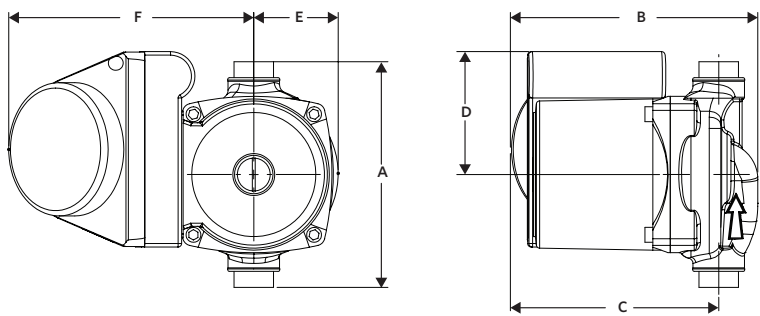
* Complies with section 116875 at the California Health and Safety/Code and Vermont Act 193 (Lead content of wetted surface is 0.25% or less)

DIMENSIONS

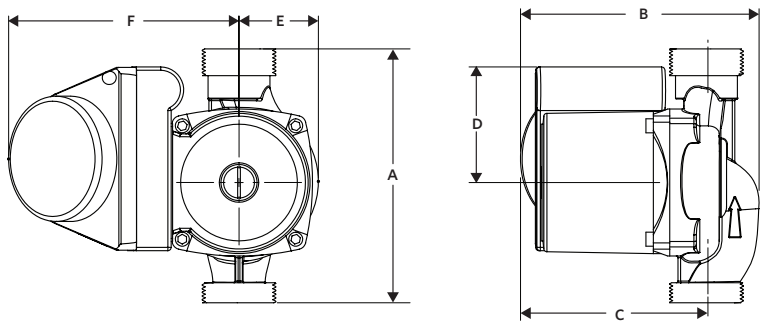
MODEL	A	B	C	D	E	F
ASTRO 225BS	5.00 (127)	5.46 (139)	4.59 (117)	2.72 (69)	1.87 (48)	5.43 (138)
ASTRO 220/225SSU	5.98 (152)	5.62 (143)	4.38 (111)	2.72 (69)	1.87 (48)	5.43 (138)
ASTRO 230/250SS	6.38 (162)	6.49 (165)	4.52 (115)	2.72 (69)	1.82 (46)	5.43 (138)

NOTE: All dimensions are in inches (mm)

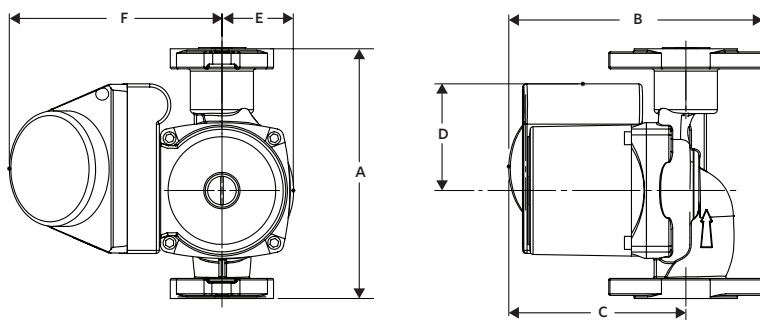
ASTRO 225BS



ASTRO 220/225SSU



ASTRO 230/250SS

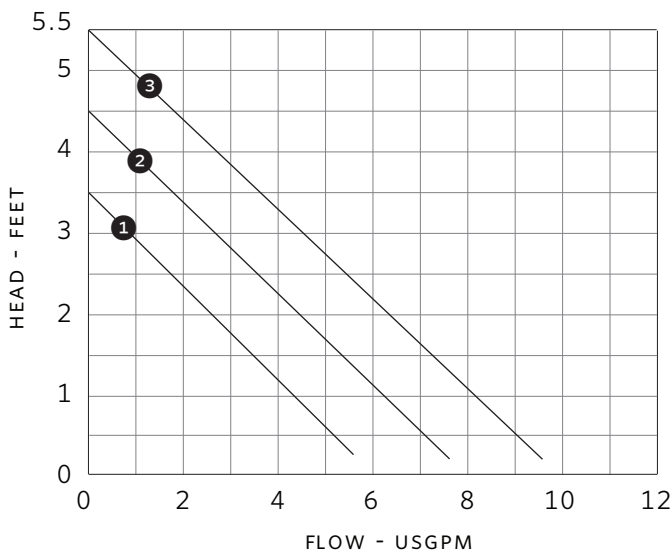


ITEM	MODEL	CONNECTION	SIZE	CORD	TIMER	AQUASTAT	ELECTRICAL DATA	WEIGHT
110223B-140	ASTRO 220SSU050S-TA*	Sweat	½"	✓	✓	✓	115 Vac, 60 Hz, 0.29 A, 33W	7.50 (3.40)
110223B-141	ASTRO 220SSU075S-TA*	Sweat	¾"	✓	✓	✓	115 Vac, 60 Hz, 0.29 A, 33W	7.50 (3.40)
110223B-142	ASTRO 225BS050S-TA	Sweat	½"	✓	✓	✓	115 Vac, 60 Hz, 0.64 A, 75W	7.00 (3.18)
110223B-143	ASTRO 225BS075S-TA	Sweat	¾"	✓	✓	✓	115 Vac, 60 Hz, 0.64 A, 75W	7.00 (3.18)
110223B-144	ASTRO 220SSU-TA	NPSM union	1¼"	✓	✓	✓	115 Vac, 60 Hz, 0.29 A, 33W	7.50 (3.40)
110223B-145	ASTRO 225SSU-TA	NPSM union	1¼"	✓	✓	✓	115 Vac, 60 Hz, 0.69 A, 83W	7.50 (3.40)
110223B-148	ASTRO 230SS-TA	2 bolt flange	2 bolt flange	✓	✓	✓	115 Vac, 60 Hz, 0.81 A, 97W	10.00 (4.54)
110223B-149	ASTRO 250SS-TA	2 bolt flange	2 bolt flange	✓	✓	✓	115 Vac, 60 Hz, 0.98 A, 117W	10.00 (4.54)
110223B-240	ASTRO 220SSU050S-T*	Sweat	½"	✓	✓	—	115 Vac, 60 Hz, 0.29 A, 33W	7.50 (3.40)
110223B-241	ASTRO 220SSU075S-T*	Sweat	¾"	✓	✓	—	115 Vac, 60 Hz, 0.29 A, 33W	7.50 (3.40)
110223B-242	ASTRO 225BS050S-T	Sweat	½"	✓	✓	—	115 Vac, 60 Hz, 0.64 A, 75W	7.00 (3.18)
110223B-243	ASTRO 225BS075S-T	Sweat	¾"	✓	✓	—	115 Vac, 60 Hz, 0.64 A, 75W	7.00 (3.18)
110223B-244	ASTRO 220SSU-T	NPSM union	1¼"	✓	✓	—	115 Vac, 60 Hz, 0.29 A, 33W	7.50 (3.40)
110223B-245	ASTRO 225SSU-T	NPSM union	1¼"	✓	✓	—	115 Vac, 60 Hz, 0.69 A, 83W	7.50 (3.40)
110223B-248	ASTRO 230SS-T	2 bolt flange	2 bolt flange	✓	✓	—	115 Vac, 60 Hz, 0.81 A, 97W	10.00 (4.54)
110223B-249	ASTRO 250SS-T	2 bolt flange	2 bolt flange	✓	✓	—	115 Vac, 60 Hz, 0.98 A, 117W	10.00 (4.54)
110223-340	ASTRO 220SSU050S-LC*	Sweat	½"	✓	—	—	115 Vac, 60 Hz, 0.29 A, 33W	7.00 (3.18)
110223-341	ASTRO 220SSU075S-LC*	Sweat	¾"	✓	—	—	115 Vac, 60 Hz, 0.29 A, 33W	7.00 (3.18)
110223-342	ASTRO 225BS050S-LC	Sweat	½"	✓	—	—	115 Vac, 60 Hz, 0.64 A, 75W	6.50 (2.95)
110223-343	ASTRO 225BS075S-LC	Sweat	¾"	✓	—	—	115 Vac, 60 Hz, 0.64 A, 75W	6.50 (2.95)
110223-344	ASTRO 220SSU-LC	NPSM union	1¼"	✓	—	—	115 Vac, 60 Hz, 0.29 A, 33W	7.00 (3.18)
110223-345	ASTRO 225SSU-LC	NPSM union	1¼"	✓	—	—	115 Vac, 60 Hz, 0.69 A, 83W	7.00 (3.18)
110223-348	ASTRO 230SS-LC	2 bolt flange	2 bolt flange	✓	—	—	115 Vac, 60 Hz, 0.81 A, 97W	9.00 (4.08)
110223-349	ASTRO 250SS-LC	2 bolt flange	2 bolt flange	✓	—	—	115 Vac, 60 Hz, 0.98 A, 117W	9.00 (4.08)

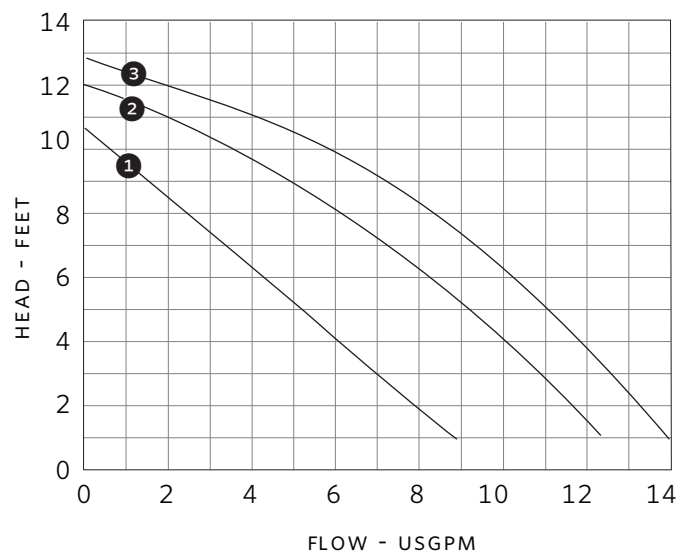
NOTE: All weights are in lbs. (kg) *Union model with sweat hardware kit.

PERFORMANCE CURVE

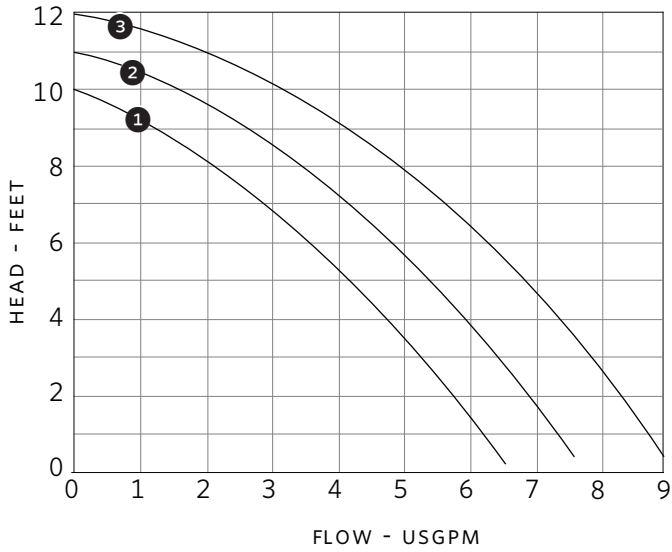
ASTRO 220SS



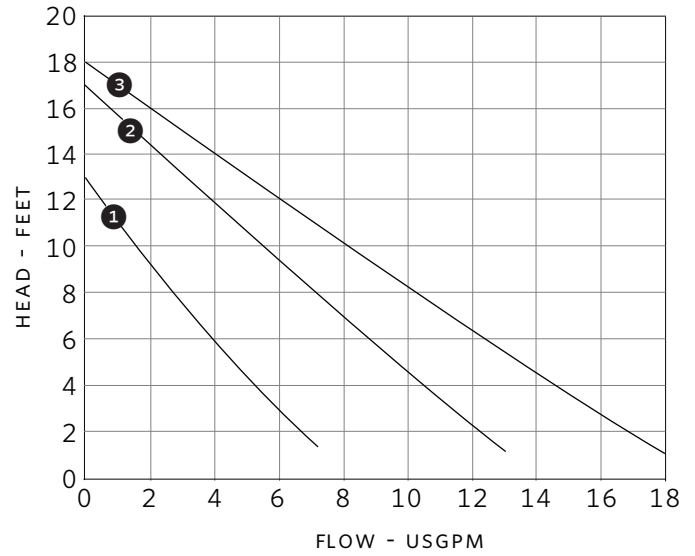
ASTRO 225SS



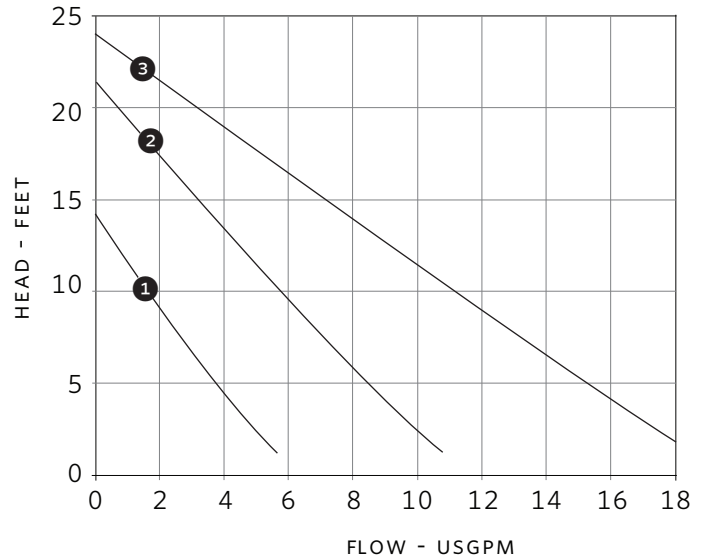
ASTRO 225BS



ASTRO 230SS



ASTRO 250SS



TORONTO
+1 416 755 2291

BUFFALO
+1 716 693 8813

BIRMINGHAM
+44 (0) 8444 145 145

MANCHESTER
+44 (0) 8444 145 145

BANGALORE
+91 (0) 80 4906 3555

SHANGHAI
+86 21 3756 6696