

## E.2 SERIES CIRCULATORS

### E11.2/E11.2B | SUBMITTAL

File No: 10.594  
 Date: JULY 25, 2018  
 Supersedes: 10.594  
 Date: JUNE 05, 2017

Job: \_\_\_\_\_ Representative: \_\_\_\_\_  
 \_\_\_\_\_ Order no.: \_\_\_\_\_ Date: \_\_\_\_\_  
 Engineer: \_\_\_\_\_ Submitted by: \_\_\_\_\_ Date: \_\_\_\_\_  
 Contractor: \_\_\_\_\_ Approved by: \_\_\_\_\_ Date: \_\_\_\_\_

QUANTITY	TAG NO.	PART NUMBER	FLOW (USgpm)	HEAD (FEET)	VOLTAGE	PHASE	COMMENTS

#### TECHNICAL DATA

**Flow range:** 0 to 45.0 USgpm (0 to 2.8 L/s)  
**Head range:** 0 to 31.9 feet (0 to 9.7 m)  
**Max/Min fluid temp:** 230°F/32°F (110°C/ 0°C)  
**Max. working pressure:** 150 psi (1034 kPa)

#### MATERIALS OF CONSTRUCTION

**Pump body:** Cast iron (closed systems)  
 Bronze (lead free for open systems)

**Face plate:** Stainless steel      **Shaft:** Stainless steel

**Impeller:** 30% Glass-filled noryl      **Volute gasket:** EPDM

**Bearings:** Permanently lubricated stainless steel

**Seal:** Silicon carbide enviroseal c/w viton elastomer

All Bronze Circulators are NSF - 372 rated

#### PART NUMBER

	120V	240V
<b>E11.2</b>	182202-651	182202-663
<b>E11.2B</b>	182202-652	182202-664

#### E11.2/E11.2B ACCESSORIES

- 1" Flange kits
- 1¼" Flange kits
- 1½" Flange kits
- Timer
- Aquastat

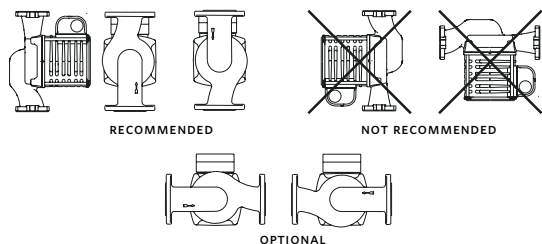
#### MOTOR DATA

<b>Voltage</b>	120V	240V
<b>Full load amp draw</b>	2.0A	1.0A

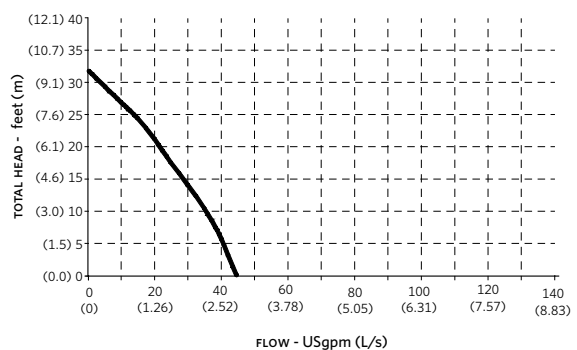
**Nominal power:** ¼ hp (125W)      **Frequency:** 60 Hz

**Motor type:** Two pole, Single phase      **Speed:** 3300 rpm

#### MOUNTING ORIENTATION FOR INDOOR USE ONLY

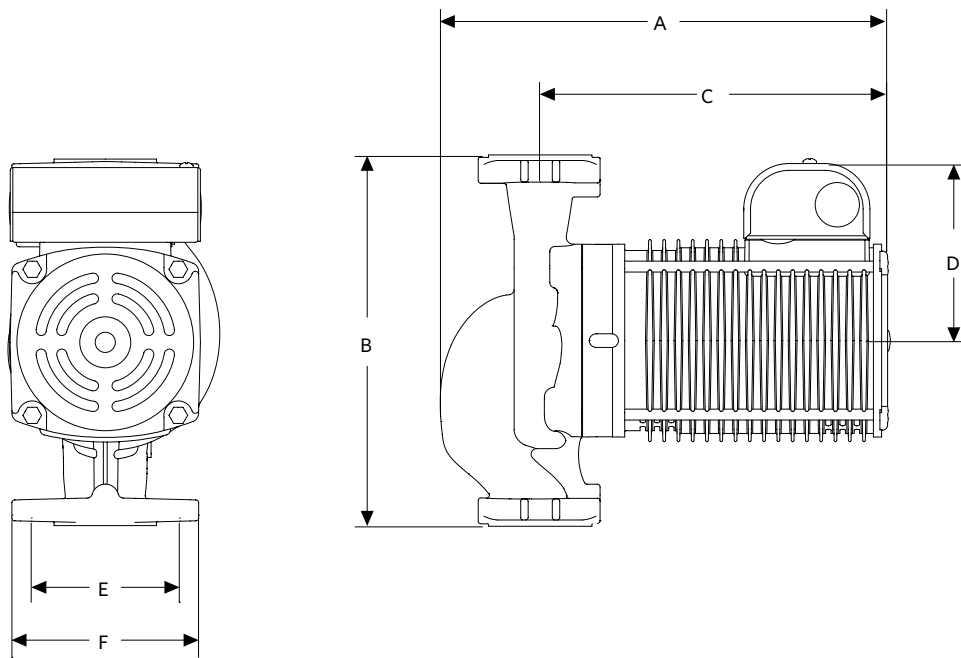


#### PERFORMANCE CURVE



Performance curves are for reference only. Confirm current performance data with Armstrong ACE ONLINE selection software.

DIMENSIONS inches (mm)									SHIP. WEIGHT
MODEL	BODY	A	B	C	D	E	F	CONNECTION TYPE & SIZE	lbs (kgs)
E11.2	Cast iron	7.50 (191)	8.50 (215)	5.60 (142)	3.80 (97)	3.40 (86)	4.20 (107)	1.5" diameter 2-bolt flanges	15.1 (6.85)
E11.2B	Bronze	7.50 (191)	8.50 (215)	5.60 (142)	3.80 (97)	3.40 (86)	4.20 (107)	1.5" diameter 2-bolt flanges	15.1 (6.85)



TORONTO  
+1 416 755 2291

BUFFALO  
+1 716 693 8813

BIRMINGHAM  
+44 (0) 8444 145 145

MANCHESTER  
+44 (0) 8444 145 145

BANGALORE  
+91 (0) 80 4906 3555

SHANGHAI  
+86 21 3756 6696

SÃO PAULO  
+55 11 4781 5500