

E.2 SERIES CIRCULATORS

E13.2/E13.2B | SUBMITTAL

File No: 10.595
 Date: JULY 25, 2018
 Supersedes: 10.595
 Date: JUNE 05, 2017

Job: _____ Representative: _____
 _____ Order no.: _____ Date: _____
 Engineer: _____ Submitted by: _____ Date: _____
 Contractor: _____ Approved by: _____ Date: _____

| QUANTITY | TAG NO. | PART NUMBER | FLOW (USgpm) | HEAD (FEET) | VOLTAGE | PHASE | COMMENTS |
|----------|---------|-------------|--------------|-------------|---------|-------|----------|
| | | | | | | | |

TECHNICAL DATA

Flow range: 0 to 54.0 USgpm (0 to 3.4 L/s)
Head range: 0 to 19.7 feet (0 to 6.0 m)
Max/Min fluid temp: 230°F/32°F (110°C/ 0°C)
Max. working pressure: 150 psi (1034 kPa)

MATERIALS OF CONSTRUCTION

Pump body: Cast iron (closed systems)
 Bronze (lead free for open systems)

Face plate: Stainless steel **Shaft:** Stainless steel
Impeller: 30% Glass-filled noryl **Volute gasket:** EPDM
Bearings: Permanently lubricated stainless steel
Seal: Silicon carbide enviroseal c/w viton elastomer
 All Bronze Circulators are NSF - 372 rated

PART NUMBER

| | 120V | 240V |
|---------------|------------|------------|
| E13.2 | 182202-655 | 182202-667 |
| E13.2B | 182202-656 | 182202-668 |

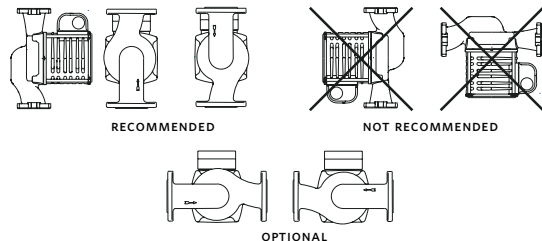
E13.2/E13.2B ACCESSORIES

- 1" Flange kits
- 1¼" Flange kits
- 1½" Flange kits
- Timer
- Aquastat

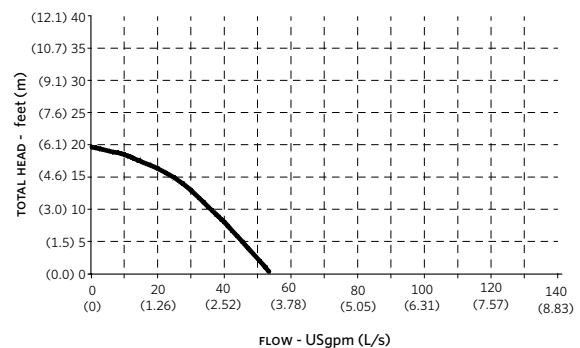
MOTOR DATA

| | | |
|---|-------------------------|------|
| Voltage | 120V | 240V |
| Full load amp draw | 2.0A | 1.0A |
| Nominal power: ½ hp (125W) | Frequency: 60 Hz | |
| Motor type: Two pole, Single phase | Speed: 3400 rpm | |

MOUNTING ORIENTATION FOR INDOOR USE ONLY

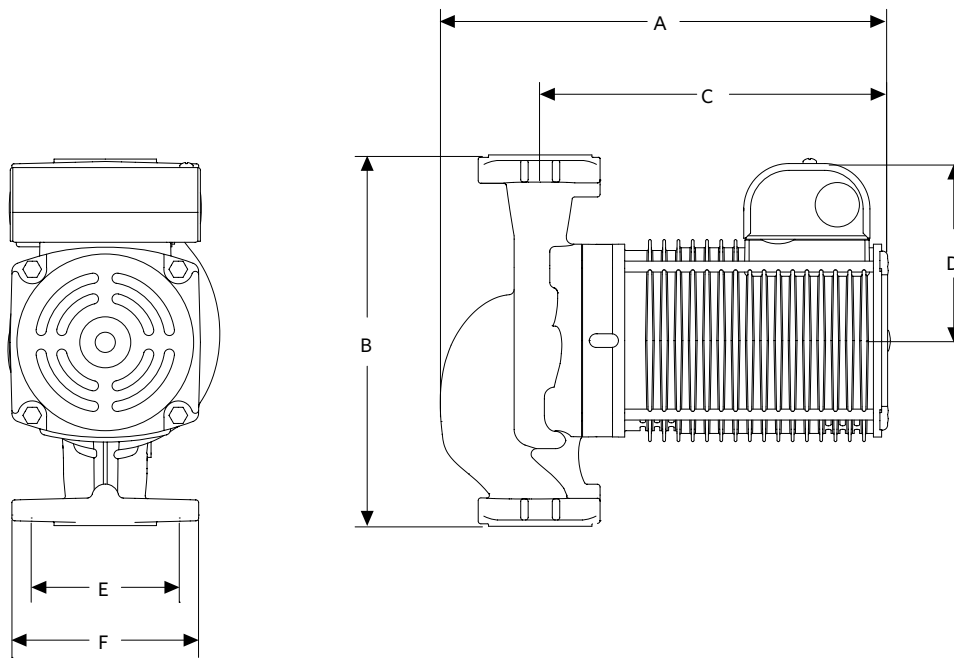


PERFORMANCE CURVE



Performance curves are for reference only. Confirm current performance data with Armstrong ACE ONLINE selection software.

| DIMENSIONS inches (mm) | | | | | | | | | SHIP. WEIGHT |
|------------------------|-----------|---------------|---------------|---------------|--------------|--------------|---------------|------------------------------|--------------|
| MODEL | BODY | A | B | C | D | E | F | CONNECTION TYPE & SIZE | lbs (kgs) |
| E13.2 | Cast iron | 7.50 (191) | 8.50 (215) | 5.60 (142) | 3.80 (97) | 3.40 (86) | 4.20 (107) | 1.5" diameter 2-bolt flanges | 15.1 (6.85) |
| E13.2B | Bronze | 7.50 (191) | 8.50 (215) | 5.60 (142) | 3.80 (97) | 3.40 (86) | 4.20 (107) | 1.5" diameter 2-bolt flanges | 14.8 (6.71) |



TORONTO
+1 416 755 2291

BUFFALO
+1 716 693 8813

BIRMINGHAM
+44 (0) 8444 145 145

MANCHESTER
+44 (0) 8444 145 145

BANGALORE
+91 (0) 80 4906 3555

SHANGHAI
+86 21 3756 6696

SÃO PAULO
+55 11 4781 5500