

E.2 SERIES CIRCULATORS

E19.2/E19.2B | SUBMITTAL

File No: 10.607
 Date: JUNE 05, 2017
 Supersedes: 10.607
 Date: MARCH 03, 2017

Job: _____ Representative: _____
 _____ Order no.: _____ Date: _____
 Engineer: _____ Submitted by: _____ Date: _____
 Contractor: _____ Approved by: _____ Date: _____

| QUANTITY | TAG NO. | PART NUMBER | FLOW (USgpm) | HEAD (FEET) | VOLTAGE | PHASE | COMMENTS |
|----------|---------|-------------|--------------|-------------|---------|-------|----------|
| | | | | | | | |

TECHNICAL DATA

Flow range: 0 to 90.0 USgpm (0 to 5.7 L/s)

Head range: 0 to 23.0 feet (0 to 7.0 m)

Max/Min fluid temp: 230°F/40°F (110°C/4°C)

Max. working pressure: 150 psi (1034 kPa)

MATERIALS OF CONSTRUCTION

Pump body: Cast iron (closed systems)
 Bronze (lead free for open systems)

Face plate: Stainless steel **Shaft:** Stainless steel

Impeller: 30% Glass-filled noryl **Volute gasket:** EPDM

Bearings: Permanently lubricated stainless steel

Seal: Silicon carbide enviroseal c/w viton elastomer

All Bronze Circulators are NSF - 372 rated

PART NUMBER

| | 120V | 240V |
|---------------|------------|------------|
| E19.2 | 182212-649 | 182212-608 |
| E19.2B | 182212-650 | 182212-609 |

E19.2/E19.2B ACCESSORIES

- 1" Flange kits
- 1¼" Flange kits
- 1½" Flange kits
- Timer
- Aquastat

MOTOR DATA

| Voltage | 120V | 208V | 240V | 277V |
|---------------------------|------|------|------|------|
| Full load amp draw | 3.4A | 1.8A | 1.8A | 1.8A |

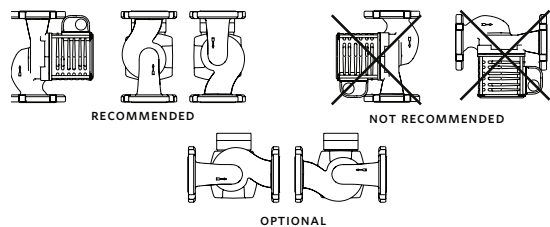
Nominal power: ¾ hp (300W)

Frequency: 60 Hz

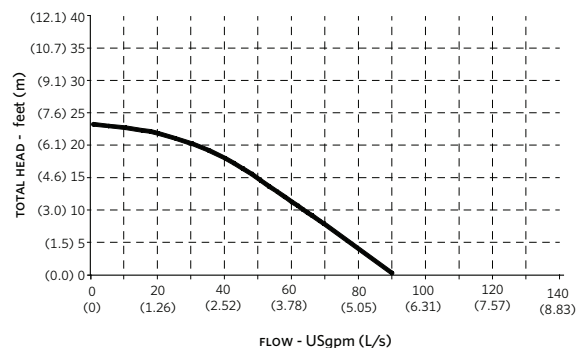
Motor type: Two pole, Single phase ODP

Speed: 3450 rpm

MOUNTING ORIENTATION FOR INDOOR USE ONLY

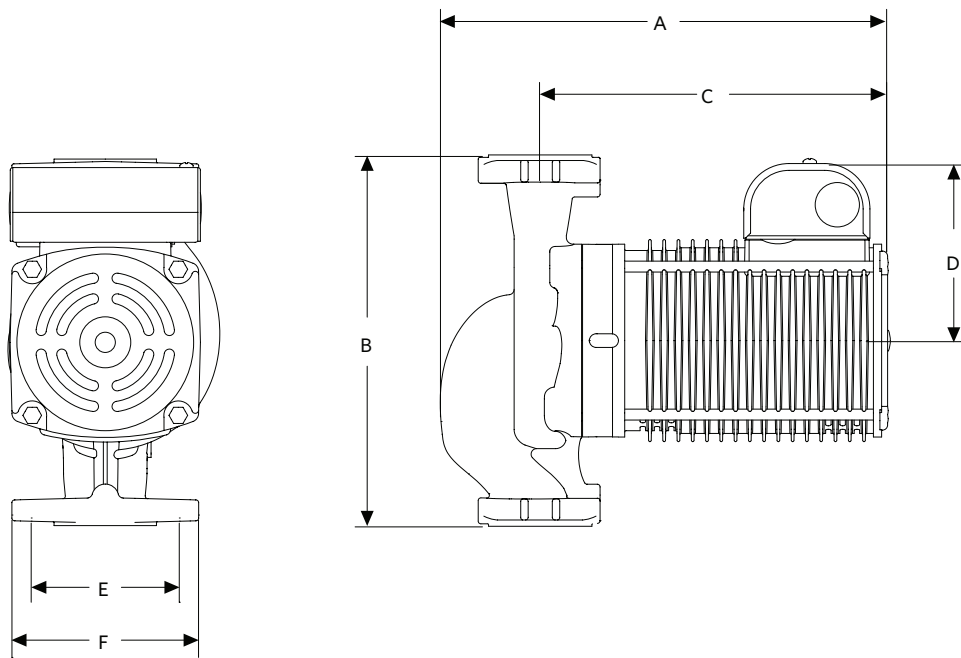


PERFORMANCE CURVE



Performance curves are for reference only. Confirm current performance data with Armstrong ACE ONLINE selection software.

| DIMENSIONS inches (mm) | | | | | | | | | SHIP. WEIGHT |
|------------------------|-----------|----------------|---------------|---------------|---------------|--------------|---------------|------------------------------|--------------|
| MODEL | BODY | A | B | C | D | E | F | CONNECTION TYPE & SIZE | lbs (kgs) |
| E19.2 | Cast iron | 10.30 (261) | 8.50 (215) | 8.00 (202) | 4.00 (101) | 3.40 (86) | 4.20 (107) | 1.5" diameter 2-bolt flanges | 20.7 (9.39) |
| E19.2B | Bronze | 10.30 (261) | 8.50 (215) | 8.00 (202) | 4.00 (101) | 3.40 (86) | 4.20 (107) | 1.5" diameter 2-bolt flanges | 20.9 (9.48) |



TORONTO
+1 416 755 2291

BUFFALO
+1 716 693 8813

BIRMINGHAM
+44 (0) 8444 145 145

MANCHESTER
+44 (0) 8444 145 145

BANGALORE
+91 (0) 80 4906 3555

SHANGHAI
+86 21 3756 6696

SÃO PAULO
+55 11 4781 5500