

## E.2 SERIES CIRCULATORS

### E28.2/E28.2B | SUBMITTAL

File No: 10.612  
 Date: JUNE 05, 2017  
 Supersedes: 10.612  
 Date: MARCH 03, 2017

Job: \_\_\_\_\_ Representative: \_\_\_\_\_  
 \_\_\_\_\_ Order no.: \_\_\_\_\_ Date: \_\_\_\_\_  
 Engineer: \_\_\_\_\_ Submitted by: \_\_\_\_\_ Date: \_\_\_\_\_  
 Contractor: \_\_\_\_\_ Approved by: \_\_\_\_\_ Date: \_\_\_\_\_

QUANTITY	TAG NO.	PART NUMBER	FLOW (USgpm)	HEAD (FEET)	VOLTAGE	PHASE	COMMENTS

#### TECHNICAL DATA

**Flow range:** 0 to 117.0 USgpm (0 to 7.4 L/s)

**Head range:** 0 to 17.0 feet (0 to 5.2 m)

**Max/Min fluid temp:** 230°F/40°F (110°C/4°C)

**Max. working pressure:** 150 psi (1034 kPa)

#### MATERIALS OF CONSTRUCTION

**Pump body:** Cast iron (closed systems)  
 Bronze (lead free for open systems)

**Face plate:** Stainless steel      **Shaft:** Stainless steel

**Impeller:** 30% Glass-filled noryl      **Volute gasket:** EPDM

**Bearings:** Permanently lubricated stainless steel

**Seal:** Silicon carbide enviroseal c/w viton elastomer

All Bronze Circulators are NSF - 372 rated

#### PART NUMBER

	120V	240V
<b>E28.2</b>	182212-655	182212-614
<b>E28.2B</b>	182212-656	182212-615

#### E28.2/E28.2B ACCESSORIES

- 3" Flange kits
- Timer
- Aquastat

#### MOTOR DATA

Voltage	120V	208V	240V	277V
<b>Full load amp draw</b>	3.3A	1.7A	1.7A	1.7A

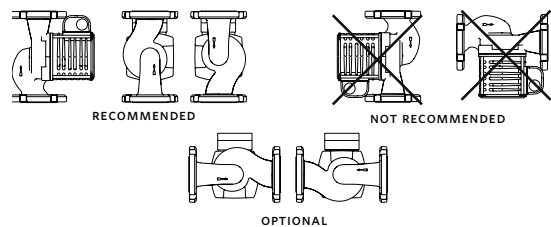
**Nominal power:** ¾ hp (300W)

**Frequency:** 60 Hz

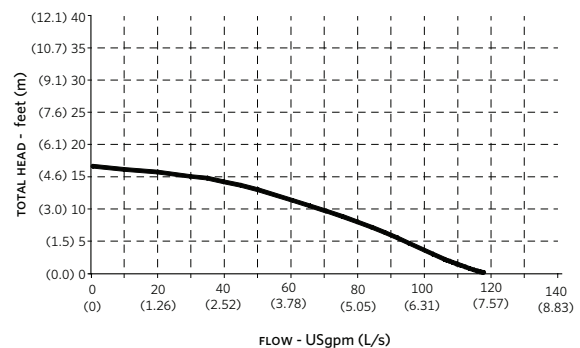
**Motor type:** Two pole, Single phase ODP

**Speed:** 3450 rpm

#### MOUNTING ORIENTATION FOR INDOOR USE ONLY

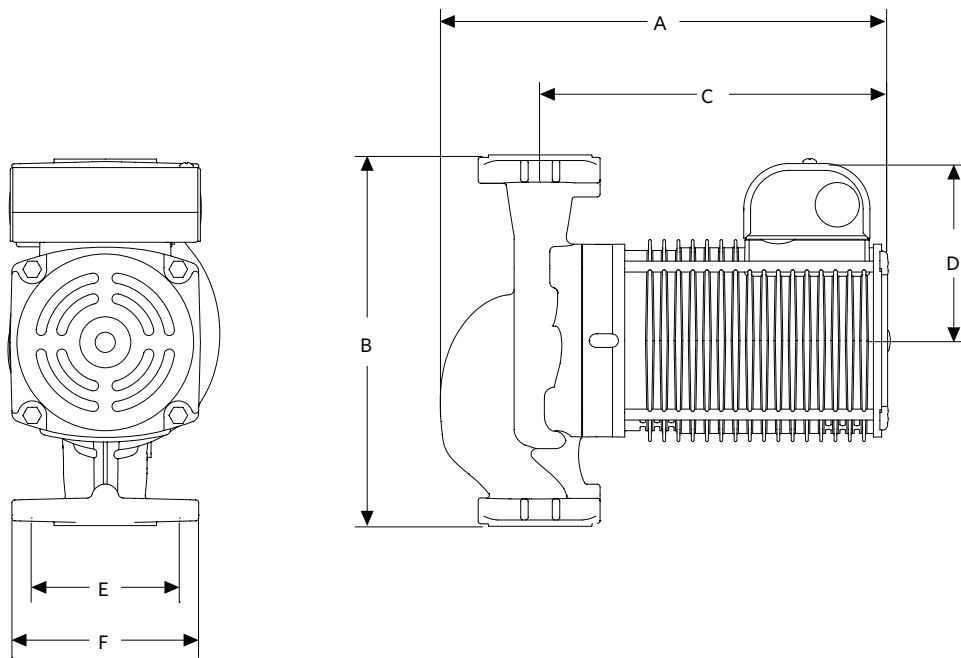


#### PERFORMANCE CURVE



Performance curves are for reference only. Confirm current performance data with Armstrong ACE ONLINE selection software.

DIMENSIONS inches (mm)									SHIP. WEIGHT
MODEL	BODY	A	B	C	D	E	F	CONNECTION TYPE & SIZE	lbs (kgs)
E28.2	Cast iron	11.35 (286)	8.50 (215)	8.35 (210)	4.00 (101)	3.50 (89)	6.00 (152)	3" diameter 4-bolt flanges	26.8 (12.16)
E28.2B	Bronze	11.35 (286)	8.50 (215)	8.35 (210)	4.00 (101)	3.50 (89)	6.00 (152)	3" diameter 4-bolt flanges	29.2 (13.24)



TORONTO  
+1 416 755 2291

BUFFALO  
+1 716 693 8813

BIRMINGHAM  
+44 (0) 8444 145 145

MANCHESTER  
+44 (0) 8444 145 145

BANGALORE  
+91 (0) 80 4906 3555

SHANGHAI  
+86 21 3756 6696

SÃO PAULO  
+55 11 4781 5500