

## E.2 SERIES CIRCULATORS

### E33.2/E33.2B | SUBMITTAL

File No: 10.602  
 Date: JULY 25, 2018  
 Supersedes: 10.602  
 Date: JUNE 05, 2017

Job: \_\_\_\_\_ Representative: \_\_\_\_\_  
 \_\_\_\_\_ Order no.: \_\_\_\_\_ Date: \_\_\_\_\_  
 Engineer: \_\_\_\_\_ Submitted by: \_\_\_\_\_ Date: \_\_\_\_\_  
 Contractor: \_\_\_\_\_ Approved by: \_\_\_\_\_ Date: \_\_\_\_\_

| QUANTITY | TAG NO. | PART NUMBER | FLOW (USgpm) | HEAD (FEET) | VOLTAGE | PHASE | COMMENTS |
|----------|---------|-------------|--------------|-------------|---------|-------|----------|
|          |         |             |              |             |         |       |          |

#### TECHNICAL DATA

**Flow range:** 0 to 143.0 USgpm (0 to 9.0 L/s)  
**Head range:** 0 to 26.0 feet (0 to 7.9 m)  
**Max/Min fluid temp:** 230°F/32°F (110°C/ 0°C)  
**Max. working pressure:** 150 psi (1034 kPa)

#### MATERIALS OF CONSTRUCTION

**Pump body:** Cast iron (closed systems)  
 Bronze (lead free for open systems)

**Face plate:** Stainless steel      **Shaft:** Stainless steel  
**Impeller:** 30% Glass-filled noryl      **Volute gasket:** EPDM  
**Bearings:** Permanently lubricated stainless steel  
**Seal:** Silicon carbide enviroseal c/w viton elastomer  
 All Bronze Circulators are NSF - 372 rated

#### PART NUMBER

|           | 120V       | 240V       |
|-----------|------------|------------|
| E33.2-2"  | 182222-669 | 182212-628 |
| E33.2B-2" | 182212-670 | 182212-629 |
| E33.2-3"  | 182212-675 | 182212-634 |
| E33.2B-3" | 182212-676 | 182212-635 |

#### ACCESSORIES

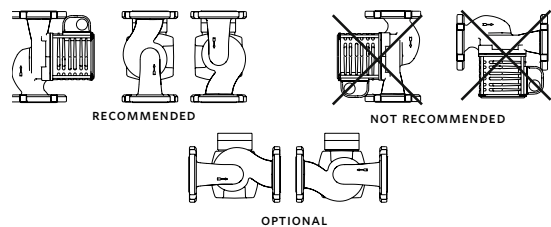
- |  |  |
|--|--|
| <p><b>E33.2-2"/E33.2B-2"</b></p> <ul style="list-style-type: none"> <li>• 2" Flange kits</li> <li>• Timer</li> <li>• Aquastat</li> </ul> | <p><b>E33.2-3"/E33.2B-3"</b></p> <ul style="list-style-type: none"> <li>• 3" Flange kits</li> <li>• Timer</li> <li>• Aquastat</li> </ul> |
|--|--|

#### MOTOR DATA

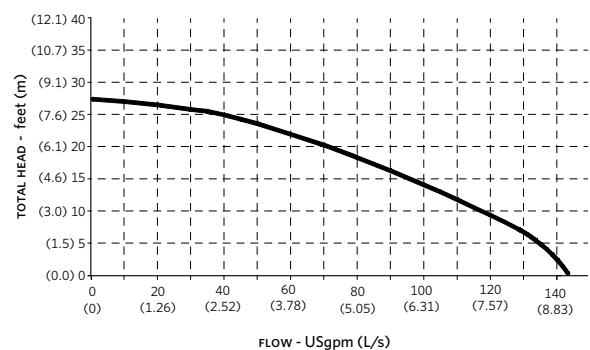
| Voltage                   | 120V | 208V | 240V | 277V |
|---------------------------|------|------|------|------|
| <b>Full load amp draw</b> | 5.7A | 3.1A | 3.1A | 3.1A |

**Nominal power:** 3/8 hp (300W)      **Frequency:** 60 Hz  
**Motor type:** Two pole, Single phase ODP      **Speed:** 3300 rpm

#### MOUNTING ORIENTATION FOR INDOOR USE ONLY

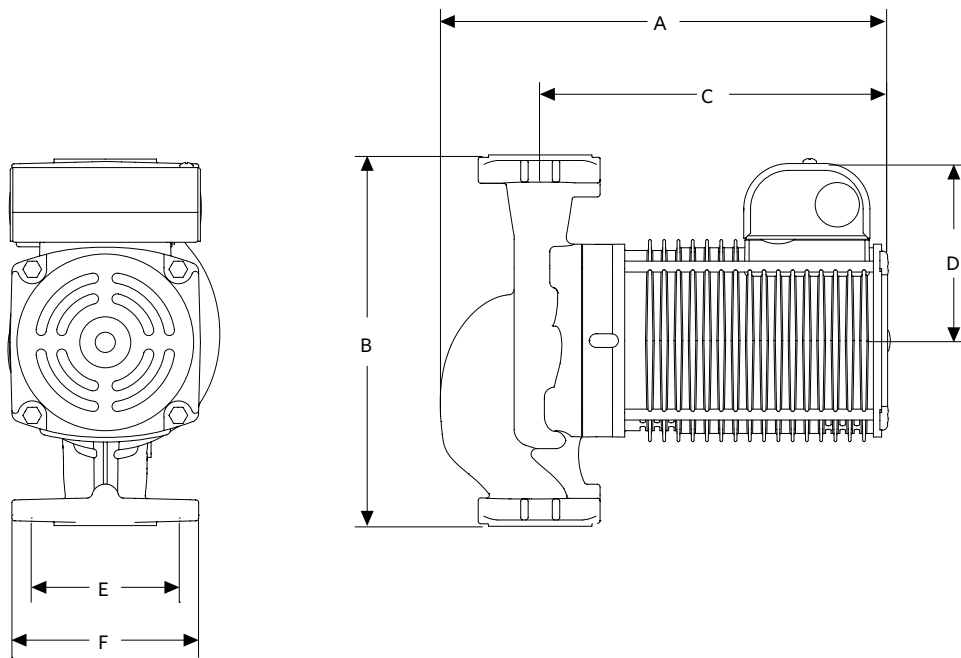


#### PERFORMANCE CURVE



Performance curves are for reference only. Confirm current performance data with Armstrong ACE ONLINE selection software.

| DIMENSIONS inches (mm) |           |                |               |               |               |              |               |                            | SHIP. WEIGHT |
|------------------------|-----------|----------------|---------------|---------------|---------------|--------------|---------------|----------------------------|--------------|
| MODEL                  | BODY      | A              | B             | C             | D             | E            | F             | CONNECTION TYPE & SIZE     | lbs (kgs)    |
| E33.2-2"               | Cast iron | 10.90<br>(276) | 8.50<br>(215) | 8.30<br>(210) | 4.00<br>(101) | 2.90<br>(73) | 5.20<br>(131) | 2" diameter 4-bolt flanges | 17.2 (7.80)  |
| E33.2B-2"              | Bronze    | 10.90<br>(276) | 8.50<br>(215) | 8.30<br>(210) | 4.00<br>(101) | 2.90<br>(73) | 5.20<br>(131) | 2" diameter 4-bolt flanges | 25.7 (11.66) |
| E33.2-3"               | Cast iron | 11.30<br>(286) | 8.50<br>(215) | 8.30<br>(210) | 4.00<br>(101) | 3.50<br>(89) | 6.00<br>(152) | 3" diameter 4-bolt flanges | 26.8 (12.16) |
| E33.2B-3"              | Bronze    | 11.30<br>(286) | 8.50<br>(215) | 8.30<br>(210) | 4.00<br>(101) | 3.50<br>(89) | 6.00<br>(152) | 3" diameter 4-bolt flanges | 29.2 (13.24) |



TORONTO  
+1 416 755 2291

BUFFALO  
+1 716 693 8813

BIRMINGHAM  
+44 (0) 8444 145 145

MANCHESTER  
+44 (0) 8444 145 145

BANGALORE  
+91 (0) 80 4906 3555

SHANGHAI  
+86 21 3756 6696

SÃO PAULO  
+55 11 4781 5500