

## PARTS COMPARISON BULLETIN

### HORIZONTAL CIRCULATORS and COMPARATIVE MODELS

This bulletin is offered for the convenience of purchasers, users, and those who specify pumps and/or parts and wish to select quality Armstrong products comparable to others made by leading manufacturers in the hydronic industry. The list below references horizontal in-line circulators while inside pages provide a comprehensive parts interchangeability list from Bell & Gossett to Armstrong.

ARMSTRONG	B&G	TACO	THRUSH
S-25 1/12 hp	SERIES 100 1/12 hp	#110 1/8 hp	MODEL R 1/12 hp
S-35 1/6 hp	2" 1/6 hp	#120 1/6 hp	22C 1/4 hp
S-45 1/4 hp	2 1/2" 1/4 hp	#121 1/4 hp	22 1/2 C 1/4 hp
S-45 1/4 hp	LD3 1/4 hp	#122 1/4 hp	23C 1/4 hp
S-46 1/3 hp	HD3 1/3 hp	#131 1/3 hp	RC-0 1/3 hp
S-55 1/2 hp	PD-35 1/2 hp	#132 1/2 hp	RC-1 1/2 hp
S-57 3/4 hp	PD-37 3/4 hp	#133 3/4 hp	RC-2 3/4 hp
S-69 1 hp	PD-38 1 hp	#138 1 hp	—
S-69 1 hp	PD-40 1 1/2 hp	—	—
H-32 1/6 hp	HV 1/6 hp	#111 1/8 hp	HH 1/6 hp
H-41 1/6 hp	1" PR 1/6 hp	#113 1/8 hp	TC 1/6 hp
H-51 1/4 hp	60-11 1/4 hp	#1600 1/4 hp	GT-1 1/4 hp
H-52 1/3 hp	—	#1610 1/3 hp	GT-2 1/3 hp
H-53 1/2 hp	60-13 1/2 hp	#1612 1/2 hp	GT-4 3/4 hp
H-54 3/4 hp	60-14 3/4 hp	#1632 3/4 hp	GT-5 3/4 hp
H-63 1/2 hp	60-15 1/2 hp	#1612 1/2 hp	—
H-64 3/4 hp	60-16 3/4 hp	#1614 3/4 hp	—
H-65 1 hp	60-17 1 hp	#1616 1 hp	—
H-66 3/4 hp	—	#1632 3/4 hp	—
H-67 1 hp	60-19 1 hp	#1634 1 hp	—
H-68 1 1/2 hp	60-20 1 1/2 hp	#1636 1 1/2 hp	—
2D 1000 2 hp	60-21 2 hp	—	—

Information given above is in the order of Model Number and Motor Horsepower, and applies to Standard or Bronze Models. Blank spaces indicate no comparative stock model is known or available.

#### ON THE INSIDE:

Complete List of Armstrong Circulator Parts  
Interchangeable with Bell & Gossett



Armstrong				B&G Equivalent		
Model	Size	Part #	Description	Model	Old Part #	New Part #
<b>BEARING ASSEMBLIES with SEAL</b>						
S-25	¾, 1, 1¼, 1½	†816019-002	Univ.	75 to 150	PZ-3351 (or PAZ) PZ-3351 PB1Z-3351	118844 118844 189034
S-34	1½	†816549-091	Univ.	1½ (Discontinued 12/76)	P7Z-4351 P7Z-4351 PB10Z-4351	189100 189100 189103
S-35 H-32	2 1, 1¼, 1½	†816549-091	Univ.	2 (Manufactured prior to 7/76; Date Code GT) HV (Manufactured prior to 4/76; Date Code DT)	P8Z-4351 P15Z-4351 PB10Z-4351	189101 189102 189103
S-35 For B&G Pumps Only	2 1, 1¼, 1½	†816023-001	Univ.	2 (Manufactured 7/76 or after; Date Code GT) HV (Manufactured 4/76 or after; Date Code DT)		189129, 189120 189121 189131, 189122
S-45 S-45 S-46 H-41	2½ 3 3 1	†816027-002	Univ.	2½ LD3 HD3 1 PR	P3Z-12351 (118727) P7Z-12351 (118728) PB47-12351	189105 189105 118447, 189106
S-55 S-57 H-51 H-52 H-53 H-54	3 (STANDARD CONSTRUCTION IS BRONZE FITTED) 1 1¼ 1½ 2	†816032-000	Univ.	PD-35 PD-37 60-1 (Old), 60-11 (New) 60-2 (Old) 60-3 (Old), 60-13 (New) 60-4 (Old), 60-14 (New)	PD4Z-12351 (118479) PD2Z-12351 (118478) PD6Z-12351 (118480)	186865 186863 186864
For B&G Pumps Only		*816133-000 *816134-000  *816133-000 *816134-000	BF AB  BF AB	PD-39 (Manufactured prior to 10/77; Date Code KU) 60-5 to 60-10 (Old), 60-15 to 60-21 (New)  PD-39 (Manufactured 10/77 or after; Date Code KU) 60-15 to 60-21 (Manufactured 10/77 or after; Date Code KU)	PD25Z-12351 PD26Z-12351 PWH3Z-6351 PD27Z-12351	185232 185232 185234 185234  185260 185262
* Use the B&G Impeller (with pressure balance holes) with these Bearing Assemblies. These Bearing Assemblies include the following coverplates and are supplied with the seal kit and body gasket.						
For STD & BF		816347-011	CI		No equivalent	
For AB		816347-041	BR		No equivalent	
<b>BEARING ASSEMBLIES with SEAL and NFI IMPELLER</b>						
S-25	¾, 1, 1¼, 1½	†810119-001	BF	75 to 100		189134 STD
S-35	2	†810119-003	BF	New Style HV		189136 STD
H-32	1, 1¼, 1½	†810119-003	BF	Any 2" NFI		189140 AB
<b>BEARING ASSEMBLIES less SEAL</b>						
S-69 H-63 to H-65 H-66 to H-68	3 1½ 2	816366-041 816366-071	STD, BF, AB AI	PD-39 60-5 to 60-7 (Old), 60-15 to 60-17 (New) 60-8 to 60-10 (Old), 60-18 to 60-21 (New)	No equivalent No equivalent	
The following coverplates are used with Bearing Assemblies 816366-041 and 816366-071 and do not normally require replacement when Armstrong Bearing Assembly is changed or replaced. For a complete Armstrong Seal Bearing Assembly (including coverplate, seal and body gasket), use P/N's 816861-011 BF, 816861-041 AB, 816861-071 AI.						
For STD, BF, AI		816346-011	CI		No equivalent	
For AB		816346-041	BR		No equivalent	
† As of 07/01/94, a Stainless Steel faceplate is standard. For all iron applications, please contact the factory.						



Armstrong				B&G Equivalent		
Model	Size	Part #	Description	Model	Old Part #	New Part #
<b>BODIES</b>						
S-25		805482-011 805482-041	CI BR	75 to 150	P4-51 PB4-51	118339 118413
S-34		816402-011	CI	1½, HV	No equivalent	
H-32		816402-041	BR		No equivalent	
S-35		816327-011 816327-041	CI BR	2	No equivalent No equivalent	
S-45		805484-011	CI	2½, LD3, HD3	P2Z-121	118644
S-46		805484-041	BR		PB2Z-121	P07610
H-41		811240-011 811240-041	CI BR	1PR	P9Z-41 PB9Z-41	118637 P07570
S-55		804133-011	CI	PD35, PD37	PD1-121	118449
S-57		804133-041	BR		PDB1-121	P09290
S-69		816339-011 816339-041	CI BR	PD39	No equivalent No equivalent	
H-51		816337-011 816337-041	CI BR	60-1 (Old), 60-11 (New)		186384 186385
H-52		816337-011 816337-041	CI BR	60-2 (Old)	No equivalent	186386
H-53		816337-011 816337-041	CI BR	60-3 (Old), 60-13 (New)		186389 P57130
H-54		816338-011 816338-041	CI BR	60-4 (Old), 60-14 (New)	PWH-81 PWH-81CB	186392 P57200
H-63 to H-65		816397-011 816397-041	CI BR	60-5 to 60-7 (Old), 60-15 to 60-17 (New)	No equivalent No equivalent	
H-66 to H-68		816174-011 816174-041	CI BR	60-8 to 60-10 (Old), 60-15 to 60-21 (New)	No equivalent No equivalent	
<b>COUPLER ASSEMBLIES</b>						
<b>Counter Clockwise Rotation</b>						
S-25, S-34, S-35, H-32, H-41		†806026-001	½ x ½	75 to 150, 1½, 2, HV, PR	PZ-4291 P11Z-4291	118705 189110, 118712
S-45, S-46		†806168-001	½ x ½	2½, LD3, HD3	P2Z-12291	118723
<b>Clockwise Rotation</b>						
S-55, S-57		††810120-006 *806137-000 806140-000	½ x ⅝ ½ x ⅝ ½ x ¾	PD35, PD37	P4Z-4291 P4Z-4291 P2Z-4291	118709 118709 118708
H-51, H-52		††810120-003 *807436-000	½ x ½ ½ x ½	60-1, 60-2 (Old), 60-11 (New)	PDZ-12291	118473
H-53, H-54		††810120-006 *806137-000	½ x ⅝ ½ x ⅝	60-3, 60-4 (Old), 60-13, 60-14 (New)	P4Z-4291 P4Z-4291	118709 118709
S-69, H-63 to H-68		††810120-008 *812734-000 *816665-000	⅝ x ½ ⅝ x ½ ⅝ x ⅝	PD39, 60-5 to 60-10 (Old), 60-15 to 60-21 (New)	PWHZ-6291 PWHZ-6291 PD27-12291	186410 186410 118476, P77265
† 4-Spring type coupler. †† 4-Spring type coupling. For use on B&G circulators only. * Flexible spacer type coupling.						
<b>COUPLER/MOUNTING RING KIT</b>						
For B&G Pumps Only		810120-004 810120-005		75 to 150, 2, HV, PR, 1, 1¼, 1½, 2		118706 118707
<b>MOTOR MOUNTING RINGS (Resilient Motors)</b>						
48 Frame Marathon Motors	1/12, 1/6, 1/4, 1/2 hp	810120-050		100 Series 1/12 hp	—	118223 (API P/N 810120-000)
56 Frame 1 Phase & 3 Phase Marathon Motors	1/2-1 hp	874055-000		1/6 hp	—	118227 (API P/N 810120-001)
56 Frame Marathon 1 Phase Double Capacitor Motors Only	1/2, 3/4 hp	874055-001		1/4, 1/2, 1/2 hp	—	118228 (API P/N 810120-002)

Armstrong				B&G Equivalent		
Model	Size	Part #	Description	Model	Old Part #	New Part #
<b>FLANGES</b>						
S-25	¾	816013-011 816013-041	CI BR	75	P2-327ST P4-327CB	P00740 118347
S-25, H-41, H-51	1	816012-011 816012-041	CI BR	100, 1 PR, 60-11	P7-427ST P8-427CB	P01510 118356
S-25, H-52	1¼	816011-011 816011-041	CI BR	125, 60-2	P1-525ST PB2-527	P03250 P06640
S-25	1½	816009-011 816009-041	CI BR	150	P3-627CI P3-627CB	P03430 P03450
S-34, H-32	1½	804301-011 804301-041	CI BR	1½, HV	P2-627ST PB1-627CB	P03410 P06690
S-35	2	805210-011 805210-041	CI BR	2	No equivalent No equivalent	
S-45	2½	805189-011 805189-041	CI BR	2½	P1-1027CI PB1-1027CB	P03560 P06750
S-45, S-46, S-55, S-57	3	805188-011 805188-041	CI BR	3LD, 3HD, PD35, PD37	FLG2-1227CI FLGB2-1227	F74000 F74800
H-32	1	806073-011 806073-041	CI BR	HV	P5-427 PB4-427CB	P01500 P06620
H-32	1¼	804300-011 804300-041	CI BR	HV	P5-527ST PB4-527	P03300 P06660
S-69	3	833615-010 806466-041	CI BR	PD-39	AC3-1227 —	A24600 —
H-53	1½	816009-011 816009-041	CI BR	60-13	P3-627CI P3-627CB	P03430 P03450
H-63 to H-65	1½	804301-011 804301-041	CI BR	60-15 to 60-17	P2-627ST PB1-627CB	P03410 P06690
H-54, H-66 to H-68	2	806074-011 806074-041	CI BR	60-14, 60-18 to 60-21	F-827 FB-827	118066 118097
<b>GASKETS</b>						
<b>Bearing Gaskets</b>						
S-25 to S-57, H-51 to H-54		103408-000		75 to PD-37, 60-11 to 60-14	P-455	P01830
<b>Body Gaskets</b>						
S-25		104442-000		75 to 150	P-3133	P04080
S-34, S-35, H-32		106049-000		1½, 2, HV	P-4133	P04890
S-45, S-46, H-41		106050-000		2½, 3LD, 3HD, 1 PR	P1-12133	P05800
S-55, S-57, H-51 to H-54		106158-000		PD35, PD37, 60-11 to 60-14	PWH1-554	P57410
S-69, H-63 to H-68		106592-000		PD39, 60-15 to 60-21	PWH-1054	P57700
<b>Flange Gaskets</b>						
S-25 Alternative wide gasket for S-25 after serial 6703		816653-000		75 to 150	P-518	118368
H-41, H-51, H-52, H-53		805176-000		1 PR, 60-11, 60-12, 60-13	P-518	118368
S-34, H-32		804034-000		1½, HV	P-618	118373
S-35		805209-000		2	F-818	118065
S-45, S-46, S-55, S-57, S-69		805201-000		2½, LD3, HD3, PD35, PD37, PD39	GKT2-1454	118129
H-54, H-66 to H-68		816117-000		60-14, 60-18 to 60-21	P-818	118378
H-63 to H-65		804034-000		60-15 to 60-17	P-618	118373



Armstrong				B&G Equivalent			
Model	Diameter	Part #	Description	Model	Dia.	Old Part #	New Part #
<b>IMPELLERS</b>							
<b>S-25</b>	2¼"	812961-011	ST	<b>75-150</b>	2¼"	P3500S-0311Z	118840
	2¼"	812961-111	NFI		2¼"	P4Z-335	189132
	2¼"	812961-041	BR		2¼"	PB4Z-335	118431
<b>S-34</b>	3⅝"	816322-012	ST	<b>1½</b>	No equivalent		
	3⅝"	816322-042	BR		No equivalent		
	3¼"	806331-111	NFI		3⅝"	P2Z-635	118666
<b>S-35</b>	3⅝"	816322-011	ST	<b>2</b>	No equivalent		
	3⅝"	816322-041	BR		No equivalent		
	3⅝"	816322-111	NFI		3⅝"	PB2Z-635	118435
<b>H-32</b>	3⅝"	816322-011	ST	<b>HV</b> <b>2, HV</b>	No equivalent		
	3⅝"	816322-041	BR		No equivalent		
	3⅝"	816556-011	ST		3⅝"	P2Z-835	118668
	3⅝"	816556-041	BR		3⅝"	PB2Z-835	118436
	3⅝"	816556-111	NFI				
<b>S-45</b>	3⅝"	816305-028	ST	<b>2½, 3LD</b>	3⅝"	P4Z-1235	118676
	3⅝"	816305-058	BR		3⅝"	PB4Z-1235	118440
	3⅝"	816305-328	NFI				
<b>S-46</b>	4¼"	816305-025	ST	<b>3HD</b>	4¼"	P3Z-1235	118675
	4¼"	816305-055	BR		4¼"	PB3Z-1235	118439
	4¼"	816305-325	NFI				
<b>S-55</b>	4¾"	816304-021	ST	<b>PD35</b>	4¾"	PW1Z-1235	118630
	4¾"	816304-051	BR		4¾"	PWB1Z-1235	118627
	4¾"	816304-321	NFI				
<b>S-57</b>	5¼"	816304-017	ST	<b>PD37</b>	5¼"	PWZ-1235	118629
	5¼"	816304-047	BR		5¼"	PWBZ-1235	118626
	5¼"	816304-317	NFI				
<b>S-69</b>	5⅝"	816308-012	ST	<b>PD39</b>	No equivalent		
	5⅝"	816308-042	BR		No equivalent		
<b>H-41</b>	4¼"	816301-025	ST	<b>1 PR</b>	4¼"	PRZ-435	118830
	4¼"	816301-055	BR		4¼"	PRBZ-435	118612
	4¼"	816301-325	NFI				
<b>H-51</b>	5"	816302-019	ST	<b>60-11</b>	5¼"	PW13Z-335	186441
	5"	816302-049	BR		5¼"	PWB13Z-335	186359 & 186360
	5"	816302-319	NFI		5¼"		
<b>H-52</b>	5¼"	816302-017	ST	<b>60-2</b>	5¼"	PW13Z-335	186441
	5¼"	816302-047	BR		5¼"	PWB13Z-335	186359
	5¼"	816302-317	NFI				
<b>H-53</b>	5¼"	816303-017	ST	<b>60-13</b>	5¼"	PW23Z-535	P61010
	5¼"	816303-047	BR		5¼"	PWB23Z-535	186368
	5¼"	816303-317	NFI				
<b>H-54</b>	5¼"	816304-017	ST	<b>60-14</b>	5¼"	PWZ-1235	118629
	5¼"	816304-047	BR		5¼"	PWBZ-1235	118626
	5¼"	816304-317	NFI				
<b>H-63</b>	5¾"	174058-021	CI	<b>60-15</b>	No equivalent		
	5¾"	874058-051	BR		No equivalent		
<b>H-64</b>	6½"	174058-015	CI	<b>60-16</b>	No equivalent		
	6½"	874058-045	BR		No equivalent		
<b>H-65</b>	7"	174058-011	CI	<b>60-17</b>	No equivalent		
	7"	174058-041	BR		No equivalent		
<b>H-66</b>	5⅝"	816393-052	BR	<b>60-18</b>	No equivalent		
<b>H-67</b>	6¼"	816393-047	BR	<b>60-19</b>	No equivalent		
<b>H-68</b>	6¾"	816393-043	BR	<b>60-20</b>	No equivalent		
<b>For B&amp;G Pumps Only</b>	7"	816309-041	BR	<b>60 1-1/2A</b> <b>60 2A</b> <b>PD-38, 39, 40</b>	various		P57445
	7"	816310-041	BR		various		P57450
	6"	816311-041	BR		various	P08690	118453

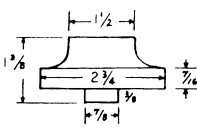
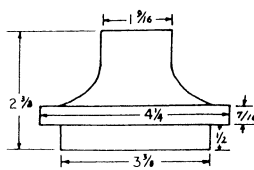
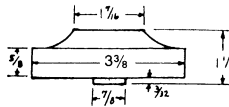
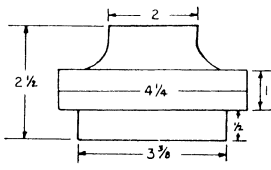
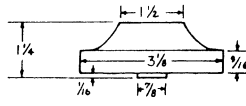
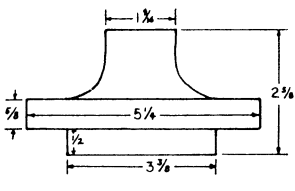
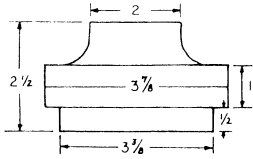
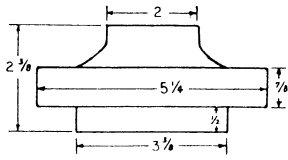
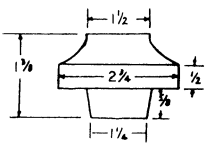
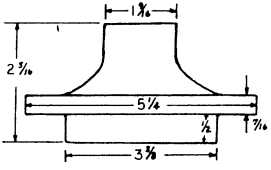
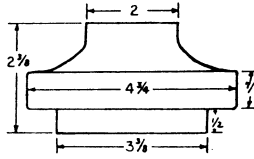
Model	Size			Model	Old Part #	New Part #
<b>SEAL KITS</b>						
<b>S-25 to S-35, S-46</b> <b>H-32 to H-41</b> <b>S-55 to S-57 &amp; H-51 to H-54 &amp; all 1050s</b> <b>For B&amp;G Pumps Only</b>	½"	816706-001	BR	<b>75 to PD37,</b> <b>HV to 60-14</b>  <b>PD38-40,</b> <b>60A BF or AB</b>	#7 Kit	118681
	½"	816706-002	ST		#6 Kit	186681
	½"	816706-003	Viton BR		No equivalent	
	½"	816706-004	Viton ST		No equivalent	
<b>S-69,</b> <b>H-63 to H-68</b>	¾"	816707-001	BR	<b>PD39,</b> <b>60-15 to 60-20</b>	No equivalent	
	¾"	816707-002	ST		No equivalent	
	¾"	816707-003	Viton BR		No equivalent	
	¾"	816707-004	Viton ST		No equivalent	
	¾"	816707-005	TFE		No equivalent	

Armstrong				B&G Equivalent		
Model	Size	Part #	Description	Model	Old Part #	New Part #
<b>MOUNTED MOTORS – 1750 RPM – SINGLE PHASE – 60 CYCLE</b>						
<b>Volts</b>						
S-25	1/12 hp	805316-010	115 CCW	70-150	P-115Z-3 P2Z-4	111034
S-34, S-35, H-32, H-41	1/6 hp	817025-001	115 CCW	1 1/2, 2, HV, PR	P-115Z-4 P4Z-4	111036, 111031
S-35				2 (Manufactured 7/76 or after; Date Code GT) HV (Manufactured 4/76 or after; Date Code DT)		
For B&G Only	1/6 hp	817025-005	115 CCW		—	111061
S-45	1/4 hp	817025-007	115 CCW	2 1/2, LD3	P-115Z-10 P1Z-10	111040
S-46	1/3 hp	817025-013	115 CCW	HD3	P-115Z-12 P107-6Z-496	111042
H-51	1/4 hp	816141-001	115 CW	60-11	PDH-115Z-10 PWH-314-6Z-1296	169035
H-52	1/3 hp	816141-002	115 CW	60-2	PDH1530Z-12 PWH-937-6Z-1296	169038
H-53, H-63, S-55	1/2 hp	†811757-001	115/230 CW	60-13, 60-15, PD35	PDH1530Z-14 PWH-929-6Z-1296	111044
H-54, H-64, H-66, S-57	3/4 hp	†811757-002	115/230 CW	60-14, 60-16, 60-18, PD37	PDH1530Z-16 PWH-925-6Z-1296	111047
H-65, H-67, S-69	1 hp	†811757-007	115/230 CW	60-17, 60-19, PD39	PDH1530Z-18 PD-2635Z-1296	111050 169005
	1 1/2 hp	**816678-062	115/230 CW	60 2A		
<b>MOUNTED MOTORS – 1750 RPM – THREE PHASE – 60 CYCLE</b>						
<b>Volts</b>						
H-53, H-63, S-55	1/2 hp	**831011-083 †811757-020	208/230/460	60-13, 60-15, PD35	PDH82040Z-14 PWH-931-6Z-1296	111046
H-54, H-64, H-66, S-57	3/4 hp	**831012-083 †811757-024	208/230/460	60-14, 60-16, 60-18, PD37	PDH82040Z-16 P922-6PDZ-1296	111049
H-65, H-67, S-69	1 hp	**816676-069 811757-028	208/230/460	60-17, 60-19, PD39	PDH82040Z-18 PD2628Z-1296	169089 111051 169090
H-68	1 1/2 hp	**816678-069	208/230/460	60-20	PDH82040Z-20 PWH-2641Z-1296	169091 111052 169092
1000	2 hp	816681-069	208/230/460	60-21		169094
<b>OILWICKS</b>						
S-25 to S-46, H-32, H-41		806993-000	Wool	75 to 3HD, HV, 1 PR	P4-4130	118395
S-55, S-57, H-51 to H-54		812138-000	Wool	60-1 to 60-40, PD35, PD37	PW4-4130	118624
S-69, H-63 to H-68		816565-000	Wool	60-15 to 60-20, PD39	No equivalent	
<b>REAR BEARINGS</b>						
S-25 to S-57, H-32 to H-54		816001-000		75 to PD37, HV to 60-14	P4Z-4115	118697
<b>SHAFTS</b>						
S-25 to S-57, H-32 to H-54	1/2	816999-041	Module	75 to PD37, HV to 60-14	No equivalent	
<b>SHAFT AND SLEEVE ASSEMBLIES</b>						
<b>Sleeve</b>						
S-25 to S-57 H-32 to H-54	API only API only B&G only	816997-041 816997-071 806028-000	Copper S.S. Copper (Flaired Sleeve)	75 to PD37, HV to 60-14	No equivalent No equivalent	189035
S-69, H-63 to H-68		816354-041 816354-071	Copper S.S.	PD39, 60-15 to 60-21	No equivalent No equivalent	
<b>SHAFT KEYS</b>						
S-25 to S-57, H-32 to H-54		974507-400	#2 Woodruff	75 to PD37, HV to 60-14	P-4138	P04940
S-69, H-63 to H-68		974508-100 974515-100	#3 Woodruff #9 Woodruff	PD39, 60-15 to 60-21	PW1-3138 HP-606	P51760 H32550
<b>SLEEVE BEARING</b>						
S-69, H-63 to H-68		874112-000	Bearing & Cap Assembly	PD39, 60-15 to 60-21	No equivalent	

Notes: \* When replacing B&G motors, also replace coupler with Armstrong 806137-000 for the 5 Series pumps and 816665-000 or the 6 Series pumps.

\*\* Rigid Mount Ball Bearing Motor can be supplied in lieu of the Resilient Mount Motor.

† Resilient Mounted Motors.

<p>S-25</p>  <p>(SERIES 100)</p>	<p>812961-011 STEEL 812961-041 BRASS</p> <p>REPLACES: 118431 BRASS (118840 Discontinued)</p>	<p>H-41</p>  <p>(PR)</p>	<p>816301-025 STEEL 816301-055 BRASS</p> <p>REPLACES: 118830 118612 BRASS</p>
 <p>(HV &amp; 2" OLD STYLE)</p>	<p>816556-011 STEEL 816556-041 BRASS</p> <p>REPLACES: 118668 STEEL 118436 BRASS</p>	<p>S-46</p>  <p>(HD-3)</p>	<p>816305-025 STEEL 816305-055 BRASS</p> <p>REPLACES: 118675 STEEL 118439 BRASS</p>
 <p>(1" &amp; 1 1/2" OLD STYLE)</p>	<p>806331-111 NFI</p> <p>REPLACES: 118665-6 STEEL 118434-5 BRASS</p>	<p>H-53</p>  <p>(60-13, 1 1/2 AA)</p>	<p>816303-047 BRASS</p> <p>REPLACES: 186368</p>
<p>S-45 2 1/2" or 3"</p>  <p>(2 1/2" &amp; LD-3)</p>	<p>816305-028 STEEL 816305-058 BRASS</p> <p>REPLACES: 118676 STEEL 118440 BRASS</p>	<p>S-57 H-54</p>  <p>(PD 37) (60-14, 2AA)</p>	<p>816304-017 STEEL 816304-047 BRASS</p> <p>REPLACES: 118629 STEEL 118626 BRASS</p>
<p>S-25</p>  <p>(SERIES 100)</p>	<p>812961-111 NFI</p> <p>REPLACES: 189132</p>	<p>H-52</p>  <p>(60-11, 1AA, 1 1/4 AA)</p>	<p>816302-047 BRASS</p> <p>REPLACES: 186359</p>
<p>S-55</p>  <p>(PD35)</p>	<p>816304-021 STEEL 816304-051 BRASS</p> <p>REPLACES: 118630 STEEL 118627 BRASS</p>		

S. A. Armstrong Limited  
23 Bertrand Avenue  
Toronto, Ontario  
Canada, M1L 2P3  
T: (416) 755-2291  
F (Main): (416) 759-9101

Armstrong Pumps Inc.  
93 East Avenue  
North Tonawanda, New York  
U.S.A. 14120-6594  
T: (716) 693-8813  
F: (716) 693-8970

Armstrong Holden Brooke Pullen  
Wenlock Way  
Manchester  
United Kingdom, M12 5JL  
T: +44 (0) 1612 232223  
F: +44 (0) 1612 209660



© S.A. Armstrong Limited 2005