

PARTS LIST

SERIES 4360

"VERTICAL"
OR
MOTOR MOUNTED PUMP

CENTERLINE DISCHARGE
"D" DESIGNATION

1-1/4" IMPELLER BORE -- 1-5/8" MECHANICAL SEAL

NEW DESIGN

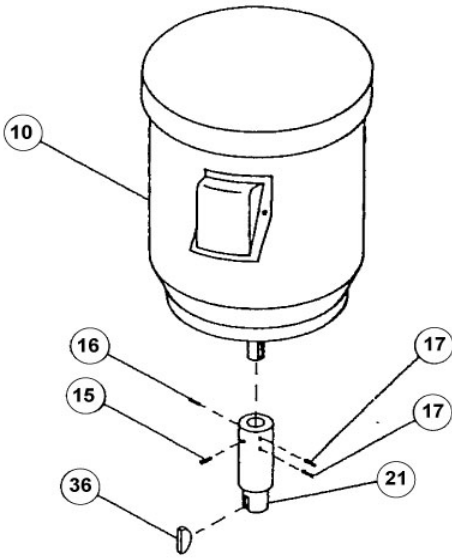
4360 POWER FRAMES: ALL SPEEDS

SPEED	MOTOR HORSEPOWER																	
1800 RPM	1/4	1/3	1/2	3/4	1					1	1 1/2	2	3					
3600 RPM						1 1/2	2	3	5					3	5	7 1/2	10	15
FRAME	56C	56C	56C	56C	56C	56C	56C	56C	56C	143JM	145JM	145JM	182JM	145JM	182JM	184JM	213JM	215JM
PUMP SIZE																		
1 1/4 B	B	B	B			B	B	B										
1 1/2 B	B	B	B	B		B	B	B	B									
2 B		B	B	B	B		B	B	B									
1 1/2 D			D	D						D	D			D	D	D	D	
2 D		D	D	D						D	D	D		D	D	D	D	D
3 D				D						D	D	D	D		D	D	D	D

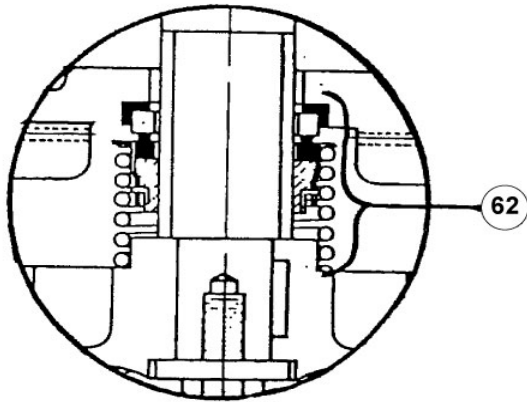
"B" DESIGNATION - 3/8" IMPELLER BORE, 1/2" MECHANICAL SEAL

"D" DESIGNATION - 7/8" IMPELLER BORE, 1 1/4" MECHANICAL SEAL

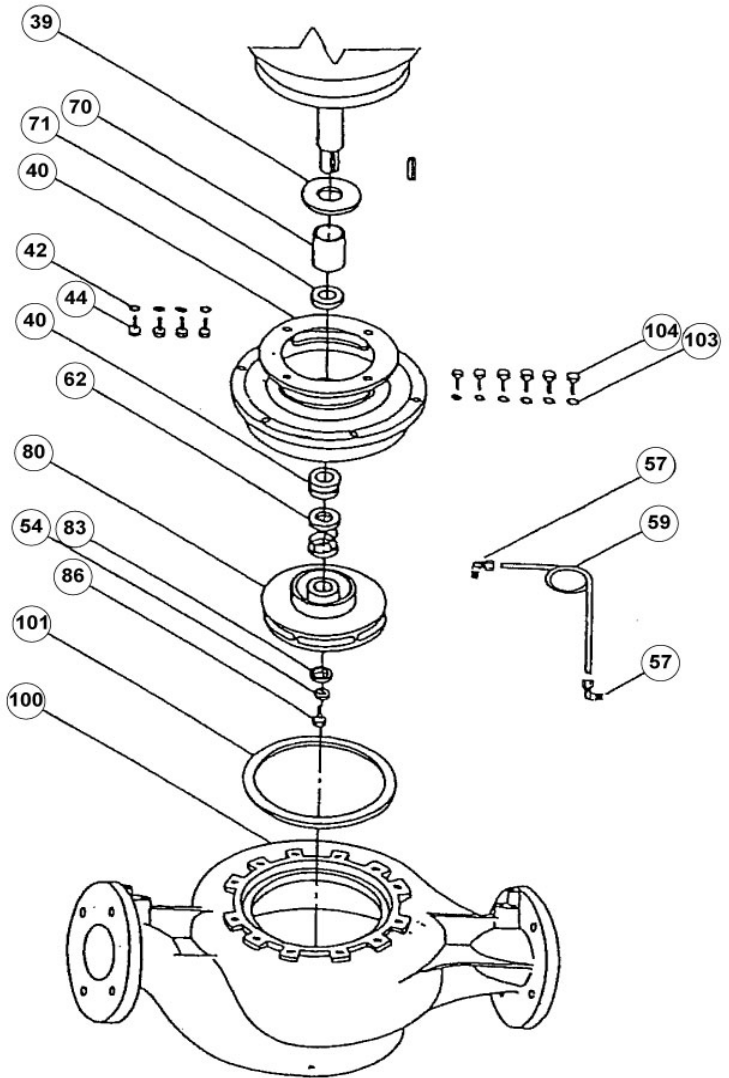
TYPICAL EXPLODED VIEW MODEL 4360 "D" SIZE



Frame 56 C Shaft Arrangement



Seal arrangement for pumps built prior to Serial Number 99808



INDEX

ITEM	DESCRIPTION	PAGE	ITEM	DESCRIPTION	PAGE	ITEM	DESCRIPTION	PAGE
15	SET SCREW	7	40	STUFF. BOX/ADAPTER	4	62	MECH. SEAL ASSY.	5
16	SET SCREW	7		For Pumps Built After Ser. No. 99807			For Pumps Built Prior To Ser. No. 99807	
17	SET SCREW	7	40	STUFF. BOX/ADAPTER	5	70	SHAFT SLEEVE	7
21	SHAFT EXTENSION	7		For Pumps Built Prior To Ser. No. 99808		71	SHFT. SLV. SPACER	7
30	FLANGE GASKET	9	43	MTR. CAPS. WASHER	6	70	SHAFT. SLV. KIT	7
31	FLANGE	9	44	MOTOR CAPSCREW	6	80	IMPELLER	3
32	FLANGE CAPSCREW	10	57	MALE ELBOW	8	83	IMPELLER WASHER	7
33	FLANGE CAPS. NUT	10	59	FLUSHLINE TUBING	8	86	IMPELLER NUT	7
36	IMPELLER KEY	7	62	MECH. SEAL ASSY.	4	100	CASING	3
39	WATER SLINGER	7		For Pumps Built After Ser. No. 99807		101	CASING GASKET	7
						103	CASCAPS. WASHER	6

MODEL 4360

VERTICAL MOTOR MOUNTED

"D" SIZE 7/8" IMPELLER BORE - 1 1/4" MECHANICAL SEAL

ITEM 100 CASING			
PUMP SIZE	CONST.	PART NUMBER	BAR CODE
1 1/2 D	CAST IRON	116397-011	
1 1/2 D	BRONZE	116397-041	
2 D	CAST IRON	116174-011	
2 D	BRONZE	116174-041	
3 D	CAST IRON	116646-011	
3 D	BRONZE	116646-041	

ITEM 80 IMPELLER**			
PUMP SIZE	CONST.	PART NUMBER	BAR CODE
1 1/2 D	STEEL	426993-011	
1 1/2 D	BRONZE	426993-041	
2 D	STEEL	411860-011	
2 D	BRONZE	411860-041	
3 D	STEEL	426994-011	
3 D	BRONZE	426994-041	

** Impeller Part Numbers are for full or maximum diameter Impellers, Always specify Pump Serial Number and where possible, measure and advise the diameter of the Impeller being replaced on these Pumps.

MODEL 4360

VERTICAL MOTOR MOUNTED

"D" SIZE 7/8" IMPELLER BORE - 1 1/4" MECHANICAL SEAL

ITEM 40 STUFFING BOX/ADAPTER

FOR PUMPS BUILT AFTER SERIAL NUMBERS 99807*

PUMP SIZE	CONST.	MOTOR FRAME		BAR CODE
		56C 143-184JM	213-215JM	
1 1/2 D TO 3D	B.F. & A.I.	426988-011		
1 1/2 D TO 3D	A.B.	426988-041		
1 1/2 D TO 3D	BF.&A.I		426989-011	
1 1/2 D TO 3D	A.B.		426989-041	

ITEM 62 MECHANICAL SEAL KIT

FOR PUMPS BUILT AFTER SERIAL NUMBERS 99807*

PUMP SIZE	CONST.	PART NUMBER	
1 1/2 D TO 3D	B.F.	975000-982**	
1 1/2 D TO 3D	A.I.	975000-982**	
1 1/2 D TO 3D	A.B.	975000-982**	

** Suitable for Potable / Drinking water. For non-potable water use 9975000-981

FOR PUMPS BUILT PRIOR TO SERIAL NUMBER 99808 SEE PAGE 5

MODEL 4360

VERTICAL MOTOR MOUNTED

"D" SIZE 7/8" IMPELLER BORE - 1 1/4" MECHANICAL SEAL

ITEM 40 STUFFING BOX/ADAPTER

FOR PUMPS BUILT PRIOR TO SERIAL NUMBERS 99808*

PUMP SIZE	CONST.	MOTOR FRAME		BAR CODE
		56C 143-184JM	213-215JM	
1 1/2 D TO 3D	B.F. & A.I.	426990-011		
1 1/2 D TO 3D	A.B.	426990-041		
1 1/2 D TO 3D	BF.&A.I		426991-011	
1 1/2 D TO 3D	A.B.		426989-041	

ITEM 62 MECHANICAL SEAL KIT

FOR PUMPS BUILT PRIOR TO SERIAL NUMBERS 99808*

PUMP SIZE	CONST.	PART NUMBER	
1 1/2 D TO 3D	B.F.	825458-001	
1 1/2 D TO 3D	A.I.	825458-001	
1 1/2 D TO 3D	A.B.	825458-001	

MODEL 4360

VERTICAL MOTOR MOUNTED

"D" SIZE 7/8" IMPELLER BORE - 1 1/4" MECHANICAL SEAL

ITEM 43 MOTOR CAPS. LOCKWASHER

PUMP SIZE	NO. REQ'D	SIZE	MOTOR FRAME		BAR CODE
			56C 143-184JM	213-215JM	
1 1/2 D TO 3D	4	3/8"	927211-100		
1 1/2 D TO 3D	4	1/2"		927213-100	

ITEM 44 MOTOR CAPSCREW

PUMP SIZE	NO. REQ'D	SIZE	MOTOR FRAME		BAR CODE
			56C 143-184JM	213-215JM	
1 1/2 D TO 3D	4	3/8-16X1"	911121-108		
1 1/2 D TO 3D	4	1/2-13X1 1/4"		911125-100	

ITEM 103 CASING CAPSCREW WASHER

PUMP SIZE	NO. REQ'D	SIZE	PART NUMBER	BAR CODE
1 1/2 D TO 3D	8	3/8" PLAIN	927114-100	

ITEM 104 CASING CAPSCREW

PUMP SIZE	NO. REQ'D	SIZE	PART NUMBER	BAR CODE
1 1/2 D TO 3D	8	3/8"-16X1	927114-100	

MODEL 4360

VERTICAL MOTOR MOUNTED

"D" SIZE 7/8" IMPELLER BORE - 1 1/4" MECHANICAL SEAL

COMMON PARTS			
ITEM NO.	DESCRIPTION	PART NUMBER	BAR CODE
15*	SET SCREW (1 REQ'D)	916517-005	
	FRAME 56 ONLY		
16*	SET SCREW (1 REQ'D)	916519-104	
	FRAME 56 ONLY		
17*	SET SCREW (2 REQ'D)	916517-205	
	FRAME 56 ONLY		
21	SHAFT EXTENSION	426992-071	
	FRAME 56 ONLY		
36	IMPELLER KEY	974515-400	
	FRAME 56 ONLY		
39	WATER SLINGER	406622-000	
44	SHAFT SLEEVE	425869-001	
	B.F. AND A.B. CONSTRUCTION		
70	SHAFT SLEEVE	425869-002	
	A.I. CONSTRUCTION		
71	SHAFT SLEEVE SPACER	425868-001	
	ALL CONSTRUCTION		
NOT SHOWN	SHAFT SLV. & SPACER KIT	835085-001	
	B.F. AND A.B. CONSTRUCTION		
NOT SHOWN	SHAFT SLV. & SPACER KIT	835085-002	
	A.I. CONSTRUCTION		
83	IMPELLER CAPS. WASHER	425742-001	
86	IMPELLER CAPSCREW	911900-114	
101	CASING GASKET	106592-000	

MODEL 4360

VERTICAL MOTOR MOUNTED

"D" SIZE 7/8" IMPELLER BORE - 1 1/4" MECHANICAL SEAL

ITEM 57 MALE ELBOW

PUMP SIZE	MATERIAL SIZE NO. REQ'D	CONST.	PART NUMBER	BAR CODE
ALL	BRASS 3/8" TUBE X 1/4" NPT 2	B.F. & A.B.	939001-114	
ALL	STEEL 3/8" TUBE X 1/4" NPT 2	A.I.	939001-214	

ITEM 59 FLUSH LINE TUBING

PUMP SIZE	MATERIAL SIZE NO. REQ'D	CONST.	PART NUMBER	BAR CODE
ALL	SOFT. COPPER X 0.032 WALL 3/8" X 12" 1	B.F. & A.B.	997531-004	
ALL	STEEL X 0.035 WALL 3/8" X 12" 1	A.I.	997153-004	

MODEL 4360

VERTICAL MOTOR MOUNTED

"D" SIZE 7/8" IMPELLER BORE - 1 1/4" MECHANICAL SEAL

ITEM 30 FLANGE GASKET

PUMP MODEL	CONST.	PIPE SIZE	NO. REQ'D	PART NUMBER	BAR CODE
1 1/2D	ALL	1 1/2" NPT	2	104034-000	
2D	ALL	2" NPT	2	116117-000	
3D	ALL	3" NPT	2	125605-106	

ITEM 31 FLANGE

PUMP MODEL	CONST.	PIPE SIZE	PART NUMBER	BAR CODE
1 1/2D	B.F - A.I.	1 1/2" NPT	104301-011	
1 1/2D	A.B	1 1/2" NPT	104301-041	
2D	B.F - A.I.	2" NPT	106074-011	
2D	A.B	2" NPT	106074-041	
3D	B.F - A.I.	3" NPT	133615-011	
3D	A.B	3" NPT	133615-041	

MODEL 4360

VERTICAL MOTOR MOUNTED

"D" SIZE 7/8" IMPELLER BORE - 1 1/4" MECHANICAL SEAL

ITEM 32 FLANGE CAPSCREW				
PUMP MODEL	NO. REQ'D	SIZE	PART NUMBER	BAR CODE
1 1/2D	2	7/16-14 X 1 3/4" STL.	911123-114	
2D	2	1/2-13X2 1/4" STL.	911125-118	
3D	2	5/8-11X2 1/2"	911125-120	

ITEM 33 FLANGE CAPSCREW NUT				
PUMP	NO.	SIZE	PART NUMBER	BAR CODE
1 1/2D	2	7/16-14 HEX STL.	913123-100	
2D	2	1/2-13 HEX STL.	913125-100	
3D	2	5/8-11 HEX STL.	913129-100	