

Series 4380 Vertical in-line

Equal suction &
discharge
'M' designation

Parts list

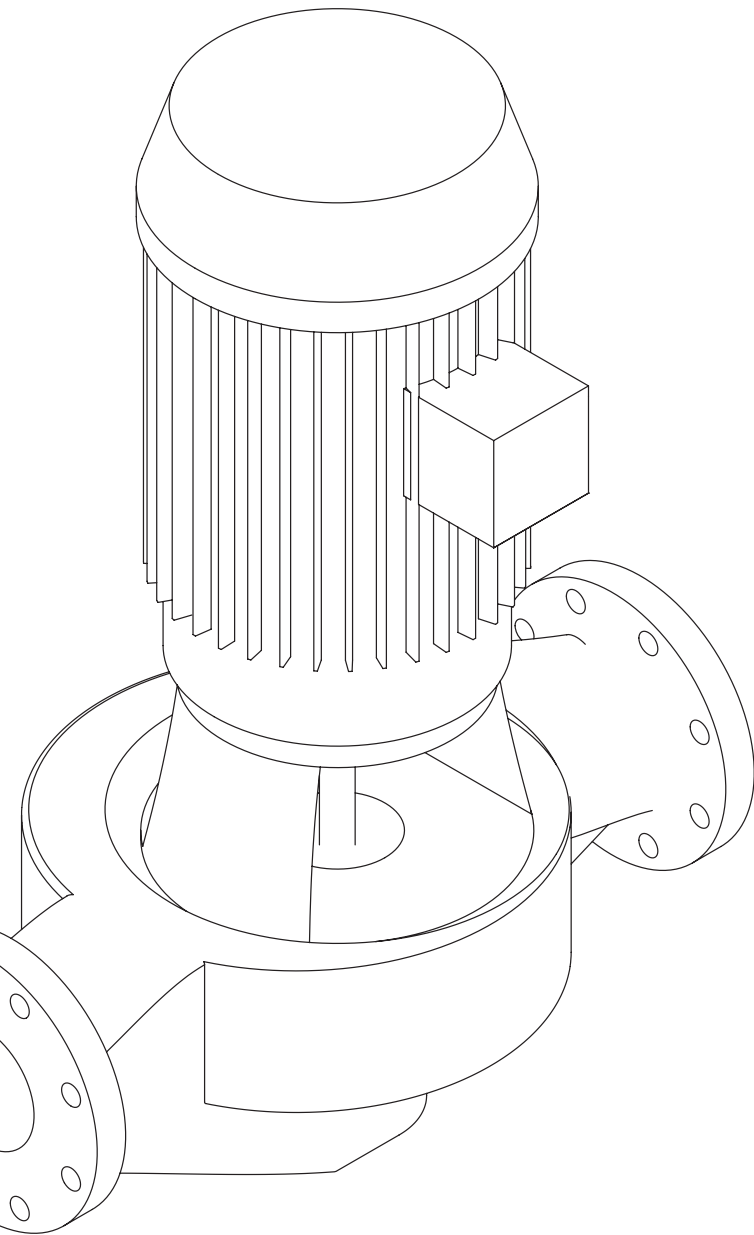
1 $\frac{1}{4}$ " impeller bore
1 $\frac{5}{8}$ " mechanical seal

File No: 6043.130

Date: OCTOBER 07, 2015

Supersedes: 6043.130

Date: DECEMBER 22, 2014



4380 POWER FRAMES: ALL SPEEDS

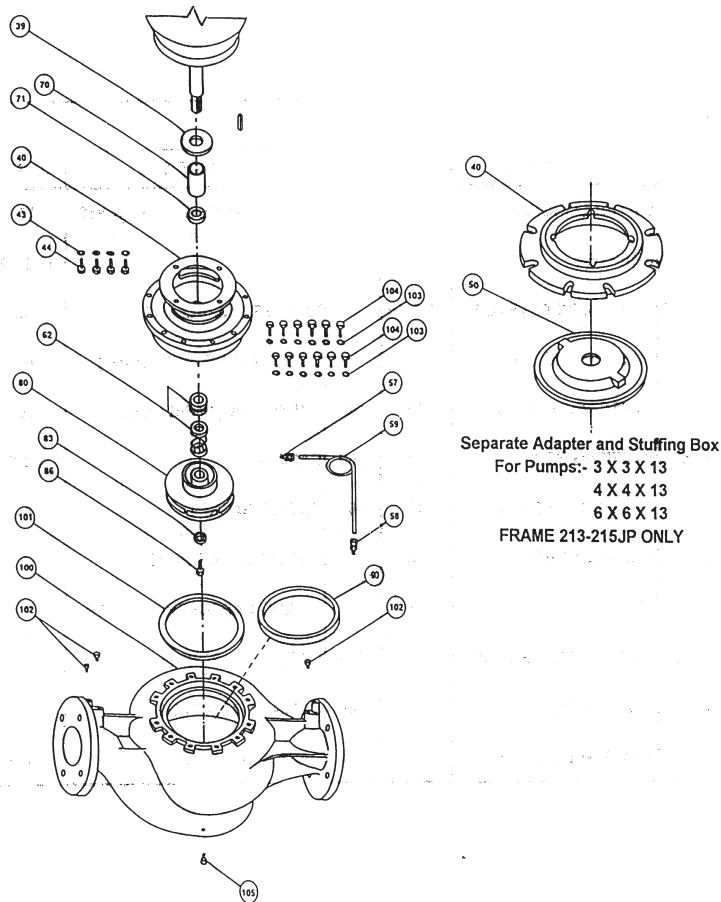
SPEED	MOTOR HORSEPOWER																	
	1/2	3/4	1	1 1/2	2	3	5	7 1/2	10	15	20	25	30	40	50	60		
1150 RPM																		
1750 RPM																		
3500 RPM																		
FRAME	56C	143JM	145JM	182JM	184JM	213JM	215JM	213JP	215JP	254JM	284JM	286JM	284JP	286JP	324JM	326JM	324JP	326JP
PUMP SIZE																		
1 1/2 μ 1 1/2 x 6	S	S	S	S	S	S	S	S	S	S	S	S	S	S	S	S	S	S
2 μ 2 μ 6	S	S	S	S	S	S	S	S	S	S	S	S	S	S	S	S	S	S
3 μ 3 μ 6	S	S	S	S	S	S	S	S	S	S	S	S	S	S	S	S	S	S
4 μ 4 μ 6W	S	S	S	S	S	S	S	S	S	S	S	S	S	S	S	S	S	S
1 1/2 x 1 1/2 x 8	S	S	S	S	S	S	S	S	S	S	S	S	S	S	S	S	S	S
2 μ 2 μ 8	S	S	S	S	S	S	S	S	S	S	S	S	S	S	S	S	S	S
3 μ 3 μ 8	S	S	S	S	S	S	S	S	S	S	S	S	S	S	S	S	S	S
4 μ 4 μ 8	S	S	S	S	S	S	S	S	S	S	S	S	S	S	S	S	S	S
5 μ 5 μ 8	S	S	S	S	S	S	S	S	S	S	S	S	S	S	S	S	S	S
6 μ 6 μ 8	S	S	S	S	S	S	S	S	S	S	S	S	S	S	S	S	S	S
8 μ 8 μ 8	S	S	S	S	S	S	S	S	S	S	S	S	S	S	S	S	S	S
1.5 μ 1.5 μ 10	S	S	S	S	S	S	S	S	S	S	S	S	S	S	S	S	S	S
2 μ 2 μ 10	S	S	S	S	S	S	S	S	S	S	S	S	S	S	S	S	S	S
3 μ 3 μ 10	S	S	S	S	S	S	S	S	S	S	S	S	S	S	S	S	S	S
4 μ 4 μ 10	S	S	S	S	S	S	S	S	S	S	S	S	S	S	S	S	S	S
6 μ 6 μ 10	S	S	S	S	S	S	S	S	S	S	S	S	S	S	S	S	S	S
8 μ 8 μ 10	S	S	S	S	S	S	S	S	S	S	S	S	S	S	S	S	S	S
4 μ 4 μ 11 1/2	S	S	S	S	S	S	S	S	S	S	S	S	S	S	S	S	S	S
5 μ 5 μ 11 1/2	S	S	S	S	S	S	S	S	S	S	S	S	S	S	S	S	S	S
6 μ 6 μ 11 1/2	S	S	S	S	S	S	S	S	S	S	S	S	S	S	S	S	S	S
8 μ 8 μ 11 1/2	S	S	S	S	S	S	S	S	S	S	S	S	S	S	S	S	S	S
3 μ 3 μ 13	S	S	S	S	S	S	S	S	S	S	S	S	S	S	S	S	S	S
4 μ 4 μ 13	S	S	S	S	S	S	S	S	S	S	S	S	S	S	S	S	S	S
5 μ 5 μ 13	S	S	S	S	S	S	S	S	S	S	S	S	S	S	S	S	S	S
5 μ 5 μ 13H	S	S	S	S	S	S	S	S	S	S	S	S	S	S	S	S	S	S
6 μ 6 μ 13	S	S	S	S	S	S	S	S	S	S	S	S	S	S	S	S	S	S
6 μ 6 μ 13H	S	S	S	S	S	S	S	S	S	S	S	S	S	S	S	S	S	S
8 μ 8 μ 13	S	S	S	S	S	S	S	S	S	S	S	S	S	S	S	S	S	S

'S' DESIGNATION - 7/8" IMPELLER BORE, 1/4" MECHANICAL SEAL

'M' DESIGNATION - 1 1/4" IMPELLER BORE, 1 5/8" MECHANICAL SEAL

M DESIGNATION

Exploded view



INDEX

ITEM	DESCRIPTION	PAGE
39	Water slinger	
40	Adapter	11
40/50	Stuff. box/Adapter	10
43	Washer (motor)	11
44	Capscrew (motor)	11
50	Stuffing box	10
57	Male connector	12
58	Male connector	12
59	Tubing	13
62	Mechanical seal kit	12
70	Shaft sleeve	12

ITEM	DESCRIPTION	PAGE
71	Shaft sleeve spacer	12
70 & 71	Shaft sleeve & spacer kit	12
80	Impeller	8 & 9
83	Washer (impeller)	12
86	Capscrew (impeller)	12
90	Case wear ring	6 & 7
100	Casing	4
101	Casing gasket	5
102	Casing gauge plug	13
103	Casing capscrew washer	5
104	Casing capscrew	5
105	Casing drain plug	6

Series 4380 vertical in-line equal
suction & discharge 'M' designation

PARTS LIST

4

ITEM 100 CASING**

PUMP SIZE	PRESSURE RATING (LB)	CONSRUCTION	PART NUMBER
4×4×6	125#	Cast iron	427043-011
	250#	Ductile iron	427044-031
1½×1½×8	125#	Cast iron	427045-011
	250#	Ductile iron	427046-031
2×2×8	125#	Cast iron	427047-011
	250#	Ductile iron	427048-031
3×3×8	125#	Cast iron	427051-011
	250#	Ductile iron	427052-031
4×4×8	125#	Cast iron	426241-011†
	250#	Ductile iron	426242-031†
5×5×8	125#	Cast iron	427024-011
	250#	Ductile iron	427025-031
6×6×8	125#	Cast iron	427055-011
	250#	Ductile iron	427056-031
8×8×8	125#	Cast iron	427915-011
	250#	Ductile iron	427916-031
1.5×1.5×10	125#	Cast iron*	426257-011
	250#	Ductile iron*	426258-031
2×2×10	125#	Cast iron*	427059-011
	250#	Ductile iron*	427060-031
3×3×10	125#	Cast iron	427061-011
	250#	Ductile iron	427062-031
4×4×10	125#	Cast iron	427063-011
	250#	Ductile iron	427064-031
6×6×10	125#	Cast iron	427065-011
	250#	Ductile iron	427066-031
8×8×10	125#	Cast iron	427067-011
	250#	Ductile iron	427068-031
4×4×11½	125#	Cast iron	426119-011
	250#	Ductile iron	426120-031
5×5×11½	125#	Cast iron	426123-011
	250#	Ductile iron	426124-031
6×6×11½	125#	Cast iron	426127-011
	250#	Ductile iron	426128-031
8×8×11½	125#	Cast iron	426131-011
	250#	Ductile iron	426132-031

ITEM 100 CASING (continued)**

PUMP SIZE	PRESSURE RATING (LB)	CONSRUCTION	PART NUMBER
3×3×13	125#	Cast iron	427071-011
	250#	Ductile iron	427072-031
4×4×13	125#	Cast iron	427073-011
	250#	Ductile iron	427074-031
5×5×13	125#	Cast iron	427193-011
	250#	Ductile iron	427194-031
5×5×13H	125#	Cast iron	427193-017
	250#	Ductile iron	427194-037
6×6×13 [†]	125#	Cast iron	427183-011
	250#	Ductile iron	427184-031
6×6×13H	125#	Cast iron	427183-017
	250#	Ductile iron	427184-037
8×8×13 ^{***} (PRE AUGUST 2015)	125#	Cast iron	427077-011
	250#	Ductile iron	427078-031
	125#	Stainless steel	427207-071
	125#	All bronze	427207-041
8×8×13 ^{***} (POST AU- GUST 2015)	125#	Cast iron	427207-011
	250#	Ductile iron	427208-031

NOTES:

c.i.* denotes Cast Iron and D.I.* denotes Ductile Iron

For other constructions change the suffix to the following:

All bronze construction -041

Stainless steel construction -071

** Casing part numbers are for casing only, casing wear ring is sold separately.

*** For 8x8x13 pumps, there was a revision to the the casing and impeller done in August 2015. These two parts are not interchangeable between the old and new pumps. Please consult your Armstrong representative if you need extra assistance.

† For 6x6x13 units pre-June 2011, casing & impeller must be replaced together. Contact Armstrong for details.

PARTS LIST

6

ITEM 101 CASING GASKET

PUMP SIZE	PART NUMBER
1½×1½×6	426401-002
4×4×6W	
2×2×8	426401-003
3×3×8	
4×4×8	
5×5×8	
6×6×8W	
8×8×8	
1.5×1.5×10	426401-004
2×2×10	
3×3×10	
4×4×10	
6×6×10	
8×8×10	
4×4×11½	426401-006
5×5×11½	
6×6×11½	
8×8×11½	
3×3×13	426401-005
4×4×13	
5×5×13	
5×5×13H	
6×6×13	
6×6×13H	
8×8×13	

ITEM 104 CASING CAPSCREW & WASHER

PUMP SIZE	NO. REQ'D	SIZE	PART NUMBER
4×4×6	8	Capscrew ½" - 13NC × 1¼"LG.	911125-110
	8	Washer ½" - SAE flat	927117-100
1½×1½×8 3×1½×8 2×2×8 4×4×8 5×5×8	8	HX. HD. Capscrew ⅝" - 11NC × 1½"LG.	911129-112
6×6×8 8×8×8	8	Washer ⅝" - SAE Flat	927121-100
1.5×1.5×10 2×2×10 3×3×10 4×4×10 6×6×10 8×8×10	12	Capscrew ⅝" - 11NC × 1½"LG.	911129-112
4×4×10 6×6×10 8×8×10	12	Washer ⅝" - SAE flat	927121-100
4×4×11½ 5×5×11½ 6×6×11½ 8 ×8×11½	12	Capscrew ½" - 13NC × 1½"LG.	911125-112
6×6×11½ 8 ×8×11½	12	Washer ½" - SAE flat	927117-100
3×3×13 4×4×13 5×5×13 5×5×13H 6×6×13 6×6×13H 8 ×8×13	16	Capscrew ⅝" - 11NC × 1½"LG.	911129-112
5×5×13H 6×6 ×13 6×6 ×13H 8 ×8×13	16	Washer ⅝" - SAE Flat	927121-100

ITEM 105 CASING DRAIN PLUG

PUMP SIZE	MATERIAL	NO. REQ'D	SIZE	PART NUMBER
4×4×6	CAD plated	1	¼" NPT	937105-201
2×2×8				
3×3×8				
4×4×8				
8×8×8				
5×5×8				
1.5×1.5×10				
2×2×10				
3×3×10				
4×4×10				
8×8×10				
4×4×11½				
5×5×11½				
3×3×13				
4×4×13				
5×5×8	CAD plated	1	½" NPT	937105-203
6×6×10				
6×6×11½				
8×8×11½				
5×5×13				
5×5×13H				
6×6×13				
6×6×13H				
8×8×13				

ITEM 90 CASE WEAR RING

PUMP SIZE	CONSTRUCTION	MATERIAL	PART NUMBER
4×4×6	Bronze fitted & all bronze	SAE 660 Bronze	426413-404
	Ductile iron & all iron	CLASS 30 Cast iron	426413-104
1½×1½×8	Bronze fitted & all bronze	SAE 660 Bronze	426413-402
	Ductile iron & all iron	CLASS 30 Cast iron	426413-102
2×2×8	Bronze fitted & all bronze	SAE 660 Bronze	426413-404
	Ductile iron & all iron	CLASS 30 Cast iron	426413-104
3×3×8	Bronze fitted & all bronze	SAE 660 Bronze	426413-407
	Ductile iron & all iron	CLASS 30 Cast iron	426413-107
4×4×8	Bronze fitted & all bronze	SAE 660 Bronze	426413-410
	Ductile iron & all iron	CLASS 30 Cast iron	426413-110

ITEM 90 CASE WEAR RING (continued)

PUMP SIZE	CONSTRUCTION	MATERIAL	PART NUMBER
5×5×8	Bronze fitted & all bronze	SAE 660 Bronze	426413-413
	Ductile iron & all iron	CLASS 30 Cast iron	426413-113
6×6×8	Bronze fitted & all bronze	SAE 660 Bronze	426413-404
	Ductile iron & all iron	CLASS 30 Cast iron	426413-104
1.5×1.5×10	Bronze fitted & all bronze	SAE 660 Bronze	426416-402
	Ductile iron & all iron	CLASS 30 Cast iron	426416-102
2×2×10	Bronze fitted & all bronze	SAE 660 Bronze	426413-404
	Ductile iron & all iron	CLASS 30 Cast iron	426413-104
3×3×10	Ductile iron & all iron	CLASS 30 Cast iron	426413-404
	Ductile iron & all iron	CLASS 30 Cast iron	426413-104
4×4×10	Bronze fitted & all bronze	SAE 660 Bronze	426413-408
	Ductile iron & all iron	CLASS 30 Cast iron	426413-108
6×6×10	Bronze fitted & all bronze	SAE 660 Bronze	426413-412
	Ductile iron & all iron	CLASS 30 Cast iron	426413-112
8×8×10	Bronze fitted & all bronze	SAE 660 Bronze	426413-414
	Ductile iron & all iron	CLASS 30 Cast iron	426413-114
4×4×11½	Bronze fitted & all bronze	SAE 660 Bronze	426412-405
	Ductile iron & all iron	CLASS 30 Cast iron	426412-105
5×5×11½	Bronze fitted & all bronze	SAE 660 Bronze	426412-411
	Ductile iron & all iron	CLASS 30 Cast iron	426412-111
6×6×11½	Bronze fitted & all bronze	SAE 660 Bronze	426412-420
	Ductile iron & all iron	CLASS 30 Cast iron	426412-120
8×8×11½	Bronze fitted & all bronze	SAE 660 Bronze	426412-421
	Ductile iron & all iron	CLASS 30 Cast iron	426412-121
3×3×13	Bronze fitted & all bronze	SAE 660 Bronze	426413-409
	Ductile iron & all iron	CLASS 30 Cast iron	426413-109
4×4×13	Bronze fitted & all bronze	SAE 660 Bronze	426413-412
	Ductile iron & all iron	CLASS 30 Cast iron	426413-112
5×5×13	Bronze fitted & all bronze	SAE 660 Bronze	426412-411
	Stainless Steel 316	Stainless Steel	426412-711
5×5×13H	Bronze fitted & all bronze	SAE 660 Bronze	NA
	Stainless Steel 316	Stainless steel	NA
6×6×13	Bronze fitted	SAE 660 Bronze	426412-420
6×6×13H	—	—	—
8×8×13	Bronze fitted & all bronze	SAE 660 Bronze	426413-415
	Ductile iron & all iron	CLASS 30 Cast iron	426413-115

ITEM 80 IMPELLER**

PUMP SIZE	MATERIAL	IMPELLER BORE	MAXIMUM DIAMETER	PART NUMBER
4×4×6	Bronze	1¼"	6"	427116-041
	Cast Iron	1¼"	6"	427116-011
1½×1½×8	Bronze	1¼"	8"	427120-041
	Cast Iron	1¼"	8"	427120-011
2×2×8	Bronze	1¼"	8"	427122-041
	Cast Iron	1¼"	8"	427122-011
3×3×8	Bronze	1¼"	8"	427130-041
	Cast Iron	1¼"	8"	427130-011
4×4×8	Bronze	1¼"	8"	427138-041 [†]
	Cast Iron	1¼"	8"	427138-011 [†]
	Bronze	1¼"	8"	426240-041 ^{††}
	Cast Iron	1¼"	8"	426240-011 ^{††}
5×5×8	Bronze	1¼"	8"	427132-041
	Cast Iron	1¼"	8"	427132-011
6×6×8	Bronze	1¼"	8"	427140-041
	Cast Iron	1¼"	8"	427140-011
8×8×8	Bronze	1¼"	8"	427918-041
	Cast Iron	1¼"	8"	427918-011
1.5×1.5×10	Bronze	1¼"	10"	426256-041
	Cast Iron	1¼"	10"	426256-011
2×2×10	Bronze	1¼"	10"	427152-041
	Cast Iron	1¼"	10"	427152-011
3×3×10	Bronze	1¼"	10"	427164-041
	Cast Iron	1¼"	10"	427164-011
4×4×10	Bronze	1¼"	10"	427150-041
	Cast Iron	1¼"	10"	427150-011
6×6×10	Bronze	1¼"	10"	427154-041
	Cast Iron	1¼"	10"	427154-011
8×8×10	Bronze	1¼"	10"	427157-041
	Cast Iron	1¼"	10"	427157-011
4×4×11½	Bronze	1¼"	11½"	426282-041
	Cast Iron	1¼"	11½"	426282-011
5×5×11½	Bronze	1¼"	11½"	426284-041
	Cast Iron	1¼"	11½"	426284-011
6×6×11½	Bronze	1¼"	11½"	426288-041
	Cast Iron	1¼"	11½"	426288-011
8×8×11½	Bronze	1¼"	11½"	426289-041
	Cast Iron	1¼"	11½"	426289-011

ITEM 80 IMPELLER (continued)**

PUMP SIZE	MATERIAL	IMPELLER BORE	MAXIMUM DIAMETER	PART NUMBER
3×3×13	Bronze	1¼"	13"	427165-041
	Cast Iron	1¼"	13"	427165-011
4×4×13	Bronze	1¼"	13"	427169-041
	Cast Iron	1¼"	13"	427169-011
5×5×13	Bronze	1¼"	13 ^{47/250} "	427186-041
	Cast Iron	1¼"	13 ^{47/250} "	427186-011
5×5×13H	Bronze	1¼"	13 ^{47/250} "	427182-041
	Cast Iron	1¼"	13 ^{47/250} "	427182-011
6×6×13†	Bronze	1¼"	13"	427182-041
6×6×13H	Cast Iron	1¼"	13"	427177-041
8×8×13*** (PRE AUGUST 2015)	Bronze	1¼"	13"	427205-041
	Cast Iron	1¼"	13"	427205-011
8×8×13*** (POST AUGUST 2015)	Bronze	1¼"	—	427177-041
	Cast Iron	1¼"	—	427177-011
	Stainless steel	1¼"	—	427177-071

NOTES:

** Impeller part numbers are for full or maximum diameter impellers. Always specify pump serial number and where possible, measure and advise the diameter of the impeller being replaced on these pumps.

*** For 8x8x13 pumps, there was a revision to the the casing and impeller done in August 2015. These two parts are not interchangeable between the old and new pumps. Please consult your Armstrong representative if you need extra assistance.

† For 6x6x13 units pre-June 2011, casing & impeller must be replaced together. Contact Armstrong for details.

ITEM 40 & 50 COMB. STUFF. BOX & ADAPTER

PUMP SIZE	MOTOR FRAME				
	254 - 256JM	284 - 326JM	213 TO 215JP	284 TO 326JP	
4×4×6	426748-011	—	—	—	
1½×1½×8	—	—	426750-011	—	
2×2×8	426751-011	426752-011	426750-011		
3×3×8	426751-011	426752-011	426750-011		
4×4×8	426751-015	—	426750-015		
5×5×8	426751-015	426752-015	426750-015		
6×6×8	426751-015	—	426750-015		
8×8×8	426751-011		426750-011		
1.5×1.5×10	426755-011	—	426754-011		426756-011
2×2×10	426755-011		426754-011		426756-011
3×3×10	426755-011		426754-011		426756-011
4×4×10	426755-015		426754-015	—	
6×6×10	426755-011		426754-011	426756-011	
8×8×10	426755-011		426754-011	426756-011	
4×4×11½	426742-011		—	426743-011	426744-011
5×5×11½	426742-011			426743-011	426744-011
6×6×11½	426742-011			426743-011	426744-011
8×8×11½	426742-011			—	426744-011
3×3×13	426759-011	—		See Below	426758-011
4×4×13	426759-011	PLEASE CONSULT FACTORY	See Below	426758-011	
5×5×13	426759-011		—	426758-011	
5×5×13H	426759-011			426758-011	
6×6×13	426759-011			426758-011	
8×8×13	426759-011			426758-011	

NOTE:

The above part numbers are for B.F. and A.I. construction, the suffix will change for other constructions as follows
 Ductile Iron Construction -031 for -011 and -035 for -015
 All Bronze Construction -041 for -011 and -045 for -015
 Stainless Steel Construction -071 for -011 and -075 for -015

ITEM 50 STUFFING BOX

PUMP SIZE	MOTOR FRAME
	213 TO 215JP
3×3×13	426545-011
4×4×13	

NOTE:

The above part numbers are for B.F. and A.I. construction, the suffix will change for other constructions as follows
 Ductile Iron Construction -031 for -011 and -035 for -015
 All Bronze Construction -041 for -011 and -045 for -015
 Stainless Steel Construction -071 for -011 and -075 for -015

ITEM 40 ADAPTER

PUMP SIZE	MOTOR FRAME
	213 TO 215JP
3×3×13	426388-011
4×4×13	

ITEM 43 & 44 MOTOR CAPS. & WASHER

PUMP SIZE	MOTOR FRAME							
	254-256JM	284-326JM	213-215JP	284-326JP				
	4 REQUIRED	4 REQUIRED	4 REQUIRED	4 REQUIRED				
4×4×6	Capscrew ½"-13NC×1" 911125-110	Capscrew ⅝" - 11NC 1¼" long 911129-110 Washer ⅝" flat 927121-100	Capscrew ½"-13NC×1" 911125-110	Capscrew ⅝" - 11NC 1¼" long 911129-110				
1½×1½×8								
2×2×8								
3×3×8								
4×4×8								
5×5×8								
6×6×8								
8×8×8								
1.5×1.5×10					CONSULT FACTORY			Washer ⅝" flat 927121-100 927121-100
2×2×10								
3×3×10								
4×4×10								
5×5×10								
6×6×10								
8×8×10								
4×4×11½	Washer ½" flat 927117-100		Washer ½" flat 927117-100					
5×5×11½								
6×6×11½								
8×8×11½								
3×3×13				Capscrew ⅝" - 11NC 1¼" long 911129-114				
4×4×13								
5×5×13								
5×5×13H								
6×6×13				Washer ⅝" flat 927121-100				
8×8×13								

COMMON PARTS

ITEM NO.	DESCRIPTION	CONSTRUCTION	PART NUMBER
70	Shaft sleeve frames 254-256 & 284-326JM	Bronze fitted	425869-003
70	Shaft sleeve frames 254-256 & 284-326JM	All iron	425869-004
70	Shaft sleeve frames 213-215 & 284-326JP	Bronze fitted	425869-021
70	Shaft sleeve frames 213-215 & 284-326JP	All iron	425869-022
62	Mechanical seal kit	All	975000-984**
71	Sleeve spacer	All	425868-004
39	Water slinger	All	419315-000
83	Impeller washer	All	425742-003
84	Impeller lockwasher	All	927213-400
86	Impeller capscrew	All	911900-119

NOTE:

** For liquids above 200°F/93°C use 9975001-833 (-633 if potable drinking water above 200°F/93°C)

For glycols above 30% by weight use 9975001-837 (-838 if above 200°F/93°C)

ITEMS 70 & 71 SHAFT SLEEVE & SPACER KITS

ITEM NO.	DESCRIPTION	CONSTRUCTION	PART NUMBER
70 & 71	Shaft slv. & spacer kit frames 254-256 & 284-326JM	Bronze fitted	810150-154
70 & 71	Shaft slv. & spacer kit frames 254-256 & 284-326JM	All iron	810150-155
70 & 71	Shaft slv. & spacer kit frames 213-215 & 284-326JP	Bronze fitted	810150-152
70 & 71	Shaft slv. & spacer kit frames 213-215 & 284-326JP	All iron	810150-153

ITEM 57 & 58 MALE CONNECTOR**

PUMP SIZE	NO. REQ'D	MATERIAL	SIZE	CONSTRUCTION	PART NUMBER
ALL	1	Brass	3/8" tube x 1/4" NPT	Bronze fitted/All bronze	939001-114
ALL	1	Steel	3/8" tube x 1/4" NPT	All iron	939001-214

ITEM 59 FLUSH LINE TUBING**

PUMP SIZE	NO. REQ'D.	MATERIAL	SIZE	CONSTRUCTION	PART NUMBER
4x4x6 to 8x8x13	1	Copper	3/8" OD x 12" LG	Bronze fitted/All bronze	997531-004
		Steel		All iron	997153-004

ITEM 102 GAUGE PLUG

PUMP SIZE	NO. REQ'D.	MATERIAL	SIZE	CONSTRUCTION	PART NUMBER
ALL	4	CAD. PLTD. steel	1/4" NPT	ALL	937105-201

TORONTO

23 BERTRAND AVENUE
TORONTO, ONTARIO
CANADA
M1L 2P3
+1 416 755 2291

BUFFALO

93 EAST AVENUE
NORTH TONAWANDA, NEW YORK
U.S.A.
14120-6594
+1 716 693 8813

BIRMINGHAM

HEYWOOD WHARF, MUCKLOW HILL
HALESOWEN, WEST MIDLANDS
UNITED KINGDOM
B62 8DJ
+44 (0) 8444 145 145

MANCHESTER

WOLVERTON STREET
MANCHESTER
UNITED KINGDOM
M11 2ET
+44 (0) 8444 145 145

BANGALORE

#59, FIRST FLOOR, 3RD MAIN
MARGOSA ROAD, MALLESWARAM
BANGALORE, INDIA
560 003
+91 (0) 80 4906 3555

SHANGHAI

NO. 1619 HU HANG ROAD, XI DU TOWNSHIP
FENG XIAN DISTRICT, SHANGHAI
P.R.C.
201401
+86 21 3756 6696

**MAKING
ENERGY
MAKE
SENSE™**