

Grundfos UPS

# 3-Speed Technology The Power of Flexibility



**Stainless Steel**  
**UPS 43-100SF**

**Cast Iron**  
**UPS 15-58FC**



**Stainless Steel**  
**UPS 15-55SUC/TLC**

One of the main features of a UPS is its 3-speed motor. This unique motor advancement, pioneered by Grundfos more than 30 years ago, allows you the ability to adjust the pump speed to fit your specific application. Flexibility to choose your speed gives you the peace of mind that you have the correct pump for the job. The versatility of the UPS not only reduces the number of circulators you have in your truck, but also reduces your installation time and callbacks.

## Features

- **Lower inventory – increased profitability**
- **Easy to install – easy to service**
- **Reliable starts – trouble-free performance**
- **Quiet – wet rotor technology**
- **Industry leading three-year warranty**



**GRUNDFOS** 

Possibility in every drop

## UPS Competitive Cross-Reference

Model	Speed	Taco	Bell & Gossett	Armstrong
UPS15-58 FC/FRC	High	005F, 007F, 008F, 0010F-IFC, 00R-MSF1-IFC	NRF-22, LR-20WR	Astro 30, Astro 50-3
	Med	005F-(IFC), 007F-(IFC), 008F-(IFC), 0010F-IFC, 00R-IFC, 00R-MSF1-IFC	NRF9F/LW	Astro 25, Astro30-3
	Low	005F-(IFC), 006F-(IFC), 00R-MSF1-IFC	–	Astro 20
UPS26-99 FC/SFC	High	0013(B)-IFC	NRF-36 Sp-2, NRF-45 Sp-2	E7(B)
	Med	0011(F, B)-(IFC), 0014(F, B)-(IFC)	Series 100, PL-30, PR, NRF-36 Sp-1, NRF-45 Sp-1	Astro 50(B), H41
	Low	–	LR-15BWR	Astro 30(B)
UPS26-150 F/SF	High	1400-45(B)	PL-55(B)	–
	Med	0011(F, B, SF), 0013(F, B, SF), 1400-20(F,B)	PL-36(B)	E8(B), E9(B)
	Low	–	NRF-36 Sp-2 & 3, NBF-36 Sp-2 & 3	E7(B)
UPS43-44 FC/BFC	High	–	HV	–
	Med	–	NRF-33	H32
	Low	0010-MSF1-IFC	–	–
UPS43-100 F/SF	High	–	–	E17(B)
	Med	1400-20(F, B), 1400-30(F, B), 1400-40(F, B), 1400-45(F, B)	PL-45(B), PL-50(B), NRF-45 Sp-2 & 3, NBF-45 Sp-2 & 3, NRF-36 Sp-2 & 3	E11(B), E15(B),E16(B)
	Low	–	–	E10(B), E13(B)
UPS50-60 F/SF	High	1400-65(F, B)	PL-130(B)	E19(B), E28(B), E29(B)
	Med	1400-60(F, B)	PL-50(B), PL-75(B)	–
	Low	–	–	E16(B)
UPS15-35 SFC	High	005BF2-(IFC), 007(BF, SF)-(IFC)	NBF(SSF)-12F/LW	Astro 30(B) Sp-2
	Med	–	–	Astro 20(B), Astro 30(B)-3 Sp-1 & 2
	Low	–	–	–
UPS15-35 SUC	High	–	NBF(SSF)-12U/LW	Astro 25BU
	Med	006BC4-1, 006B7-IFC	NBF-9U/LW	Astro 25BU
	Low	003-B4-2-IFC	–	–
UPS15-35 SUC/TLC	High	–	–	Astro 25U-T
	Med	–	–	Astro 25U-T
	Low	–	–	–
UPS15-55 SFC	High	–	–	Astro 30(B)
	Med	005-BF, 006-BF, 007-(BF, SF), 008-(BF, SF)-(IFC), 00R-SF-IFC	NBF-22, SSF-22	Astro 30(B) Sp-2, Astro 30(B)-3 Sp-1
	Low	–	–	Astro 30(B) Sp-1, Astro 50(B) Sp-1
UPS15-55 SUC	High	–	–	–
	Med	–	NBF-22U, SSF-22U	–
	Low	–	–	–



## Building on Success

Due to the popularity of the UPS15-58, we designed six new models to expand the 3-speed circulator range. For most hydronic heating applications, the UPS15-58 is the only circulator you will ever need. But, since some situations require unique demands, additional models

were designed to expand the UPS range. All the pumps contain the same features that made the original UPS such a sought-after alternative. Flexibility, ease of installation, and reduced inventory are the benefits that make the UPS team the new standard in circulators.

High-Head UPS	High Flow UPS	Additional Stainless Options
UPS 15-58 F/FC	UPS 43-44 FC/BFC	UPS 15-35 SFC/SUC/TLC
UPS 26-99 FC/SFC	UPS 43-100 F/SF	UPS 15-55 SFC/SUC
UPS 26-150 F/SF	UPS 50-60 F/SF	



## The UPS Team



UPS 15-35



UPS 15-55



UPS 15-58

UPS 26-99



UPS 26-150



UPS 43-44



UPS 43-100



UPS 50-60

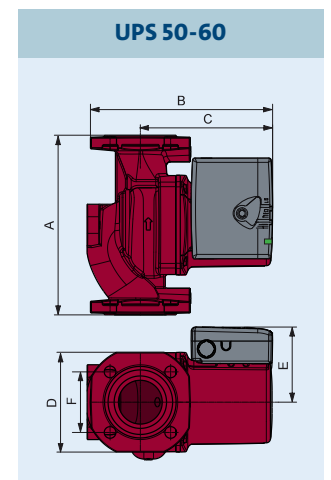
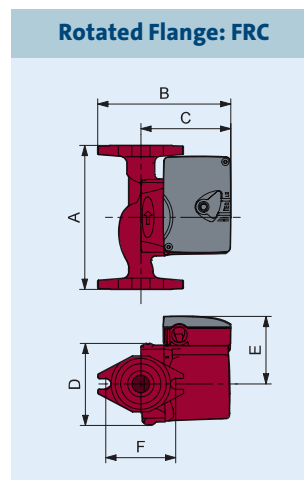
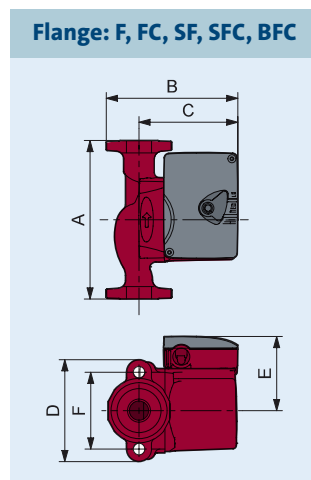
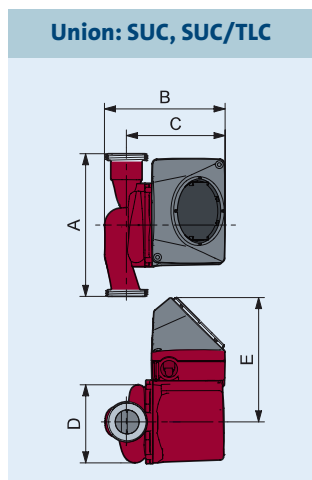
Model	Volts	Material	Part Number
UPS 15-35 SFC	115V	Stainless	59896772
UPS 15-35 SUC	115V	Stainless	59896778
UPS 15-35 SUC/TLC	115V	Stainless	99452478
UPS 15-55 SFC	115V	Stainless	59896773
UPS 15-55 SUC	115V	Stainless	59896781
UPS 15-55 SUC/TLC	115V	Stainless	99452479
UPS 15-58 FC	115V	Cast Iron	59896341
UPS 15-58 FRC	115V	Cast Iron	59896343
UPS 26-99 FC	115V	Cast Iron	52722512
UPS 26-99 FC	230V	Cast Iron	52722513
UPS 26-99 SFC	115V	Stainless	98961763
UPS 26-99 SFC	230V	Stainless	98961765
UPS 26-150 F	115V	Cast Iron	95906630
UPS 26-150 F	230V	Cast Iron	95906631
UPS 26-150 SF	115V	Stainless	95906632
UPS 26-150 SF	230V	Stainless	95906633
UPS 43-44 FC	115V	Cast Iron	52722514
UPS 43-44 FC	230V	Cast Iron	52722515
UPS 43-44 BFC	115V	Bronze	52722520
UPS 43-44 BFC	230V	Bronze	52722521
UPS 43-100 F	115V	Cast Iron	95906636
UPS 43-100 F	230V	Cast Iron	95906637
UPS 43-100 SF	115V	Stainless	95906638
UPS 43-100 SF	230V	Stainless	95906639
UPS 50-60 F	115V	Cast Iron	97523134
UPS 50-60 F	230V	Cast Iron	97523135
UPS 50-60 SF	115V	Stainless	97523136
UPS 50-60 SF	230V	Stainless	97523137

## UPS Features

Model Type	Max Fluid Temperature			Min. Fluid Temperature	Max. System Pressure 145 PSI	Check Valve	Timer and Line Cord	Connection Type			
	150°F (66°C)	165°F (74°C)	230°F (110°C)	36°F (2°C)				GF 15/26	GU 125	GF 40/43	GF 50
UPS15-35SFC		•		•	•	•		•			
UPS15-35SUC		•		•	•	•			•		
UPS15-35SUC/TLC	•			•	•	•	•		•		
UPS15-55SFC			•	•	•	•		•			
UPS15-55SUC			•	•	•	•			•		
UPS15-55SUC/TLC	•			•	•	•	•		•		
UPS15-58FC			•	•	•	•		•			
UPS15-58FRC			•	•	•	•		•			
UPS26-99FC/SFC			•	•	•	•		•			
UPS26-150F/SF			•	•	•	•		•			
UPS43-44FC/BFC			•	•	•	•				•	
UPS43-100F/SF			•	•	•	•				•	
UPS50-60F/SF			•	•	•	•					•

## UPS Dimensions

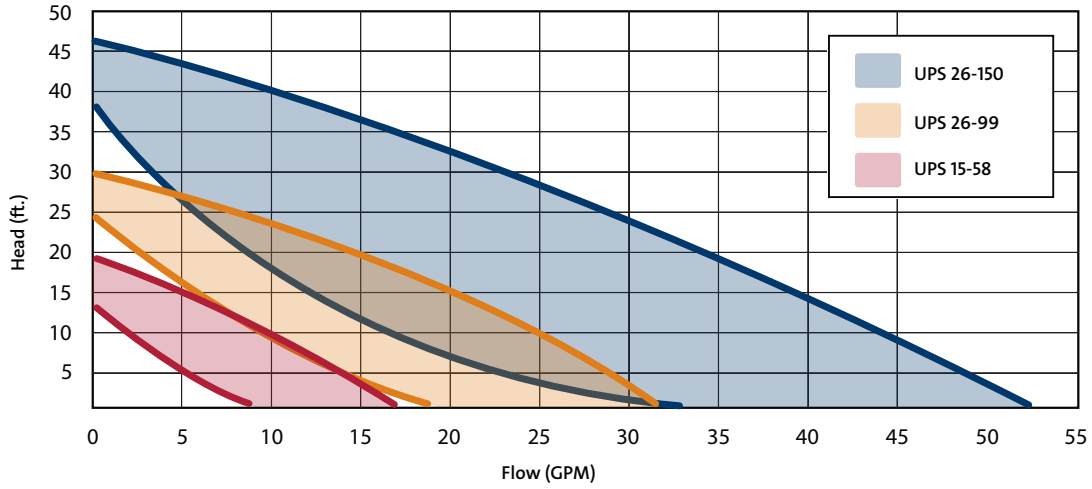
Model Type	A	B	C	D	E	F
UPS15-35SFC	6.50	5.50	4.13	3.88	2.85	3.13
UPS15-35SUC	5.88	5.06	4.13	3.44	2.85	-
UPS15-35SUC/TLC	5.88	5.06	4.13	3.44	2.85	-
UPS15-55SFC	6.50	5.50	4.13	3.88	2.94	3.13
UPS15-55SUC	5.88	5.06	4.13	3.44	2.94	-
UPS15-55SUC/TLC	5.88	5.06	4.13	3.44	2.94	-
UPS15-58FC	6.50	5.25	4.00	4.19	3.00	3.16
UPS15-58FRC	6.50	5.25	4.00	4.19	3.00	3.16
UPS26-99FC/SFC	6.50	6.00	4.88	3.50	3.44	3.16
UPS26-150F/SF	6.50	7.13	5.88	3.88	3.75	3.13
UPS43-44FC/BFC	8.50	6.69	5.13	4.75	3.19	3.44
UPS43-100F/SF	8.50	6.69	5.13	4.75	3.18	3.44
UPS 50-60 F/SF	8.50	8.63	6.25	4.75	3.75	2.88



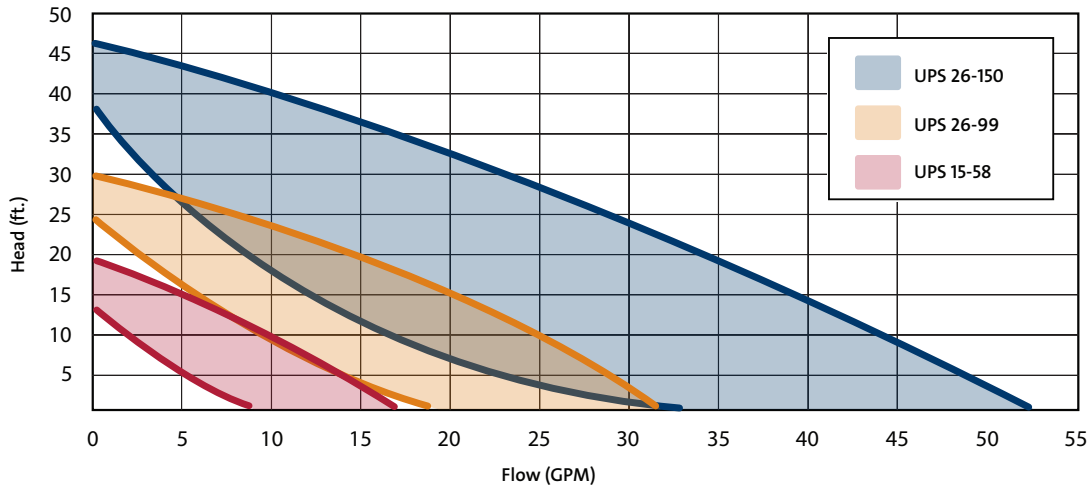


# UPS 3-Speed Performance Curves – 60 Hz

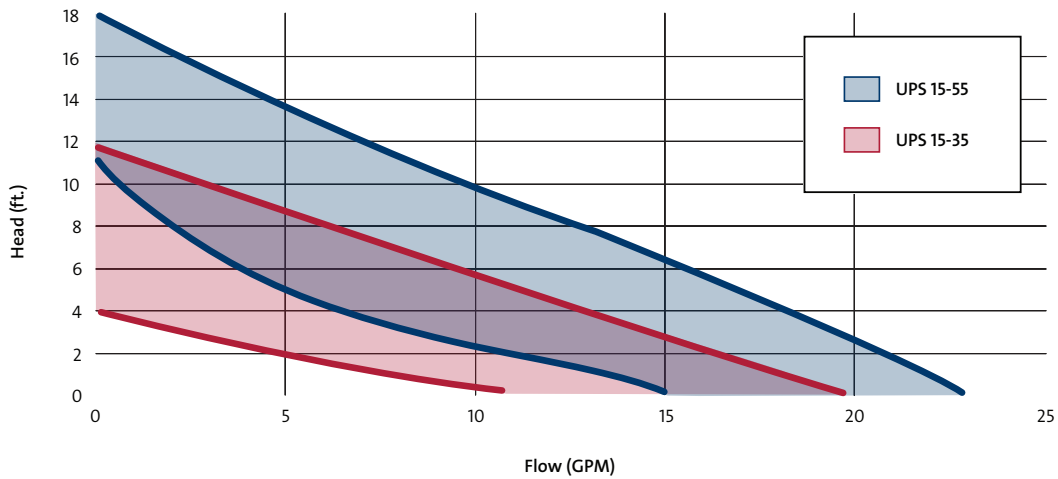
## High Head Curves



## High Flow Curves



## Additional Stainless Steel Curves



## UPS – Lower Inventory for Increased Profitability



### Easy installation

- Quick connect terminals for easy installation

### Reliable starts

- Patented electronic starting unit provides the highest starting torque of any circulators in its class (UPS15-58 only)
- Ceramic bearings ensure years of quiet, trouble-free operation



- 8 hydraulic models replace 130 competitor pumps
- UPS's offer a 3-speed switch for extreme flexibility
- Fast installation time for a higher profit margin



- Nut capture feature (except UPS 15-58FC)



- Green LED Power indicator light  
(UPS 43-100, UPS 26-150, and UPS 50-60 models only)



- Removable check valve eliminates need for an in-line flow check  
(UPS 15-35, 55, 58, UPS 26-99, UPS 43-44 models only)

Visit [grundfos.us/pei](https://grundfos.us/pei) to learn more about Department of Energy (DOE) pump energy index (PEI) requirements and PEI ratings on specific Grundfos models.

**Grundfos Americas**  
Brookshire, TX 77423

[grundfos.us](https://grundfos.us) | [grundfos.ca](https://grundfos.ca) | [grundfos.mx](https://grundfos.mx)

