

## Large UP, UPS

Series 200 circulator pumps  
60 Hz



<b>1. Product introduction</b>	<b>3</b>	<b>11. Further documentation</b>	<b>63</b>
Introduction	3	WebCAPS	63
Terminal box modules	3	WinCAPS	64
Applications	3		
Features and benefits	3		
Identification	4		
<b>2. Product overview</b>	<b>5</b>		
Performance range, UPS pumps	5		
Performance range, UP pumps	6		
<b>3. Product range</b>	<b>7</b>		
Pump overview	7		
<b>4. Cross-reference guide</b>	<b>8</b>		
Armstrong, B&G and TACO to Grundfos	8		
<b>5. Construction</b>	<b>10</b>		
Construction	10		
Material specification	11		
Sectional drawing	11		
Motor	12		
Stator housing	12		
Rotor can	12		
Shaft with rotor	12		
Bearing plate	12		
Impeller	12		
Pump housing	12		
<b>6. Operating conditions</b>	<b>13</b>		
Pumped liquids	13		
Temperature limits	13		
Other technical data	13		
Electrical data	14		
Supply voltage tolerances	14		
Terminal box	14		
Insulation class	14		
<b>7. Functions</b>	<b>15</b>		
Functions	15		
Description of functions	16		
Standard module indicator lights	17		
Variable frequency drive operation	17		
Pumps with protection module	17		
Protection module indicator lights	18		
Pumps with relay module	18		
Relay module indicator lights	18		
Signal output of relay module	18		
Two pumps plumbed in parallel	18		
<b>8. Technical data</b>	<b>19</b>		
Technical data, UPS	19		
Curve conditions	24		
<b>9. Curve charts and technical data</b>	<b>25</b>		
<b>10. Accessories and spare parts</b>	<b>62</b>		
Packaged fitting sets	62		
Terminal box electrical components	62		

# 1. Product introduction

## Introduction

The Grundfos UP(S) Series 200 line of wet rotor circulators is unique to commercial building services. Most competitor pumps are dry runners. UP(S) wet rotor circulators, on the other hand, are designed so that the water being pumped surrounds the rotor, cooling and lubricating the shaft and bearings.



GRA3223, GRA3217

**Fig. 1** Grundfos UP, UPS Series 200 circulator pumps

Wet rotor design eliminates the need for a fan to cool the motor. Fans are often a source of noise and vibrations that can resonate throughout a building via the pipework. Eliminating the fan results in very quiet operation.

UP(S) Series 200 pumps are available in cast iron construction for closed (heating and air conditioning) and bronze construction for open (domestic hot water) systems.

Both cast iron and bronze UP(S) Series 200 pumps utilize laser-welded stainless steel impellers to achieve high pump efficiency.

The standard UP(S) motors are suitable for variable speed drive applications.

## Terminal box modules

UPS pumps are equipped with a standard or protection module in the terminal box. Pumps with standard module must be connected to the power supply via an external contactor, whereas pumps with protection module can be connected directly to the power supply.

For further information about the different modules, see pages 17 through 18.

## Applications

The pumps are designed for circulation of liquids in heating and air-conditioning systems. They can also be used in domestic hot-water systems.

Applications for the UP(S) pumps include:

- Heating systems for apartments, colleges, hospitals, institutions and schools
- hot water recirculation for hotels, colleges institutions, hospitals, and apartments
- large residential heating
- snow melt.

To ensure optimum operation, the dimensioning range of the system must fall within the performance range of the pump. See sections 6. *Operating conditions* on page 13 and 8. *Technical data* on page 19.

## Pumped liquids

Grundfos UP, UPS Series 200 pumps are suitable for pumping thin, clean, non-aggressive and non-explosive liquids, not containing any solid particles, fibers or mineral oil.

In domestic hot-water systems it is advisable to use bronze pumps only for water with a degree of hardness lower than approx. 14°dH. For water with a higher degree of hardness, a Grundfos TP dry-rotor pump is recommended.

The pumps must **not** be used for the transfer of flammable liquids such as diesel oil and gasoline.

For liquid temperature, see section 6. *Operating conditions* on page 13.

## Features and benefits

The Grundfos range of UP(S) Series 200 circulator pumps offer many beneficial features:

- Quiet
- maintenance-free
- UPS pumps have a 2 or 3 speed switch, which increases the comfort level for the application
- small profile (one piece vs. three piece)
- sealless, which eliminates worries about hot water leakage
- pumped water lubricates the shaft and bearings so there is no oil to leak
- no couplers to change.

## Identification

### Type key

Example	UPS	50	-40	(/2)	F	(B)
Type range						
- UP: Single-speed pump						
- UPS: Two- or three-speed pump						
Nominal flange diameter [mm]						
Max. head [dm]*						
Number of motor poles (stated if available both as 2- and 4-pole motor)						
Pump with flanges						
Pump with bronze housing						

\*With the exception of the following pump types, where the number is to be considered as a reference number:  
UP 53-45, UP 53-46, UPS 53-55/57 and UPS 75-69

### Nameplate

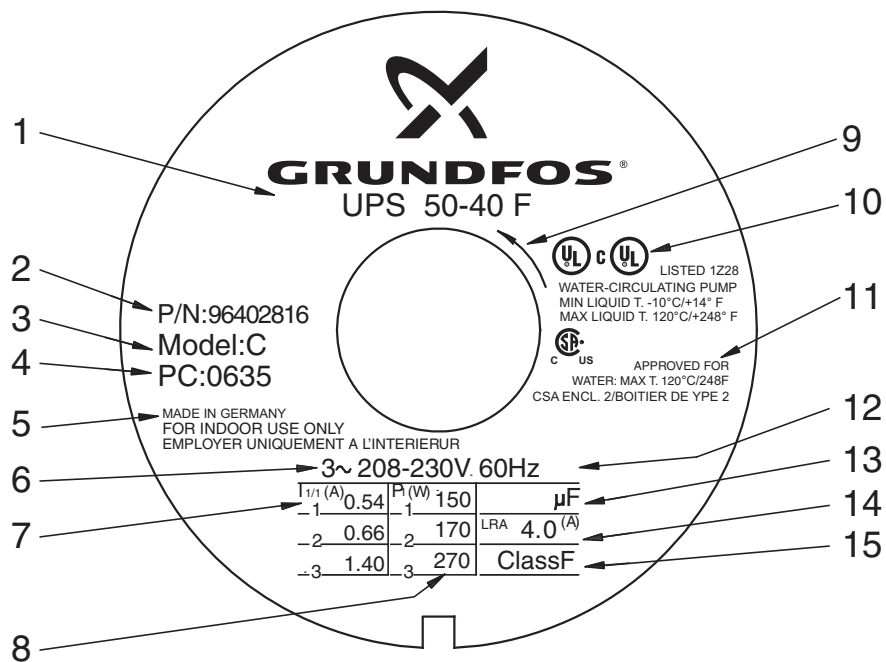


Fig. 1 Example of nameplate

Pos.	Description
1	Type code
2	Product number
3	Model designation
4	Production code (year + week)
5	Country of origin
6	Number of phases and rated voltage
7	Current at speeds 1, 2, 3
8	Power at speeds 1, 2, 3
9	Direction of rotation
10	Approvals
11	Temperature limits
12	Rated frequency
13	Capacitor size
14	Locked Rotor Amps
15	Insulation class

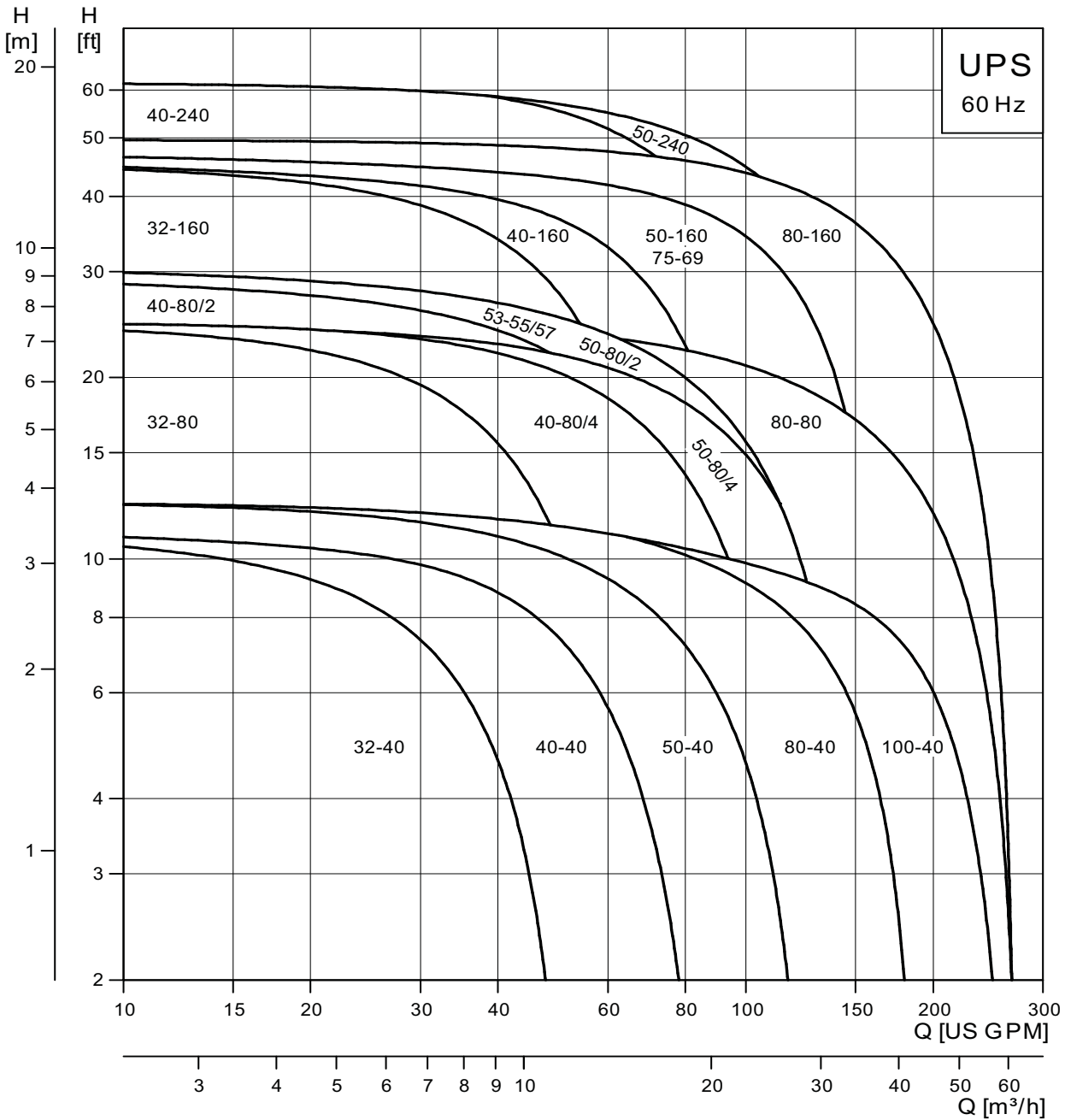
TM03 7712 4806

## 2. Product overview

### Performance range, UPS pumps

The curves show maximum performance curves for the UPS range:

- single-voltage pumps
- two- and three-speed pumps.

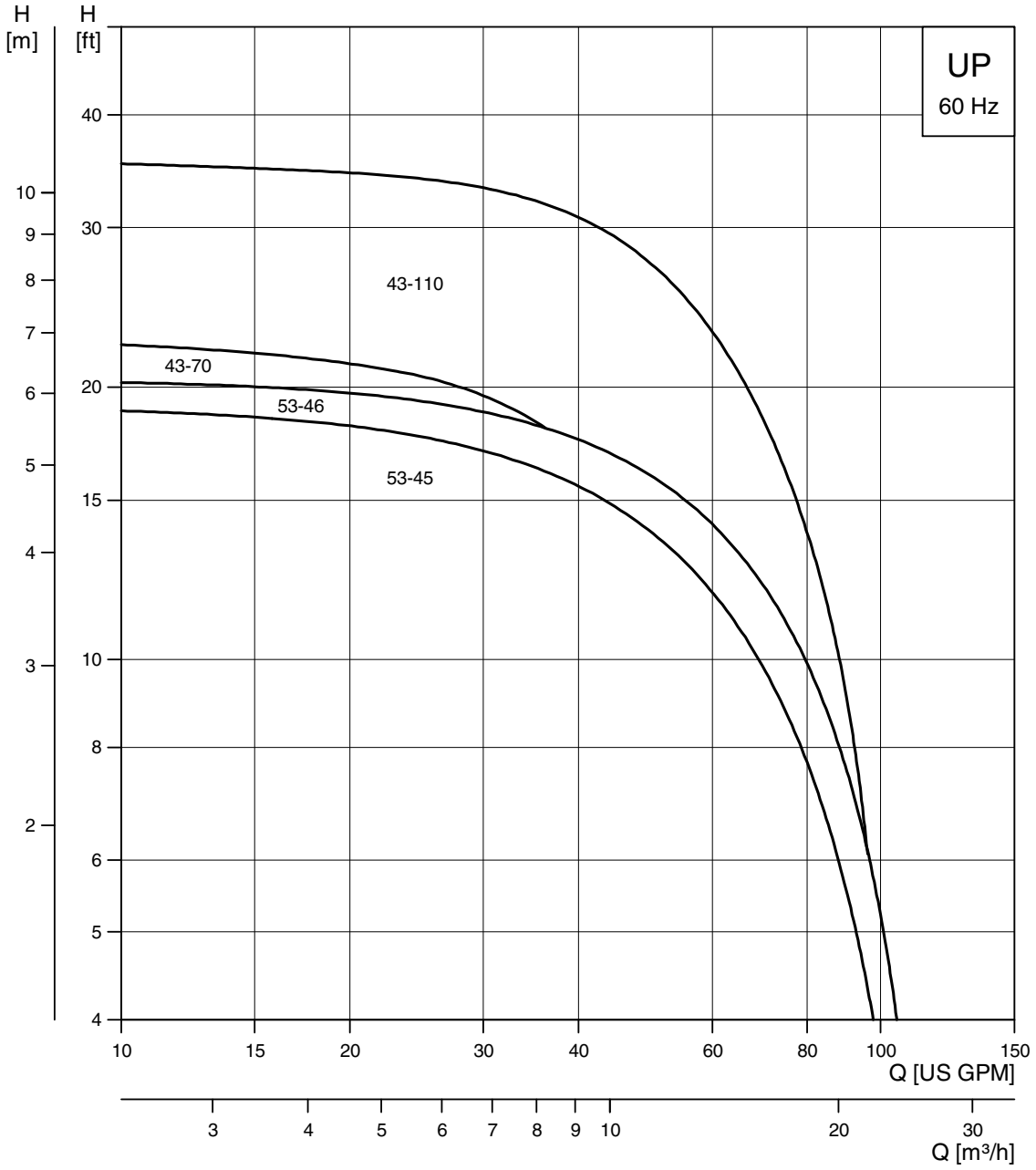


TM00 9582 5106

### Performance range, UP pumps

The curves show maximum performance curves for the UP range:

- dual-voltage pumps
- single-speed pumps.



TM02 5598 4706

## 3. Product range

### UPS range

Pump type	Voltage [V]					Poles	
	1 x 115	1 x 230	3 x 208-230	3 x 460	3 x 575★	2	4
UPS 32-40 F	•	•	•	•	•	—	•
UPS 32-80 F	•	•	•	•	•	•	—
UPS 32-160 F	•	•	•	•	•	•	—
UPS 40-40 F	•	•	•	•	•	—	•
UPS 40-80/2 F	•	•	•	•	•	•	—
UPS 40-80/4 F	•	•	•	•	•	—	•
UPS 40-160 F	•	•	•	•	•	•	—
UPS 40-240 F	—	•	•	•	•	•	—
UPS 50-40 F	•	•	•	•	•	—	•
UPS 50-80/2 F	•	•	•	•	•	•	—
UPS 50-80/4 F	•	•	•	•	•	—	•
UPS 50-160 F	—	•	•	•	•	•	—
UPS 50-240 F	—	—	•	•	•	•	—
UPS 53-55/57 F	•	•	•	•	•	•	—
UPS 75-69 F	—	•	•	•	•	•	—
UPS 80-40 F	—	—	•	•	•	—	•
UPS 80-80 F	—	—	•	—	—	—	•
UPS 80-160 F	—	—	•	•	•	•	—
UPS 100-40 F	—	—	•	•	•	—	•

★Canada only

### UP range

Pump type	Voltage [V]		Poles	
	1 x 115/230 V		2	4
UP 43-70 F	•	•	•	—
UP 43-110 F	•	•	•	—
UP 53-45 F	•	•	•	—
UP 53-46 F	•	•	•	—

### Pump overview

Model	Flow [US gpm]	Head [ft]	Ph	Max. [rpm]	Flange	Flange type
UP 43-70 F	15-100	1-23	1	3450	1.5" non ANSI 2 bolt w/ (2) 0.5" dia. holes	GF 40/43
UP 43-110 F	15-105	1-37	1	3450	1.5" non ANSI 2 bolt w/ (2) 0.5" dia. holes	GF 40/43
UP 53-45 F	15-100	1-23	1	3450	2", 2.5", 3" non ANSI 4 bolt w/ (4) 0.63" dia. holes	GF 53
UP 53-46 F	15-105	1-37	1	3450	2", 2.5", 3" non ANSI 4 bolt w/ (4) 0.63" dia. holes	GF 53
UPS 32-40/4	9-52	1-11	1-3	1750	1.25" non ANSI 2 bolt w/ (2) 0.5" dia. holes	GF 15/26
UPS 32-80/2	9-67	1-25	1-3	3450	1.25" non ANSI 2 bolt w/ (2) 0.5" dia. holes	GF 15/26
UPS 32-160/2	9-76	1-45	1-3	3450	1.5" non ANSI 2 bolt w/ (2) 0.5" dia. holes	GF 40/43
UPS 40-40/4	13-85	1-11	1-3	1750	1.5" non ANSI 2 bolt w/ (2) 0.5" dia. holes	GF 40/43
UPS 40-80/2	13-105	1-30	1-3	3450	1.5" non ANSI 2 bolt w/ (2) 0.5" dia. holes	GF 40/43
UPS 40-80/4	13-120	1-25	1-3	1750	1.5" non ANSI 2 bolt w/ (2) 0.5" dia. holes	GF 40/43
UPS 40-160/2	13-110	1-46	1-3	3450	1.5" non ANSI 2 bolt w/ (2) 0.5" dia. holes	GF 40/43
UPS 40-240/2	13-130	1-62	1-3	3450	1.5" non ANSI 2 bolt w/ (2) 0.5" dia. holes	GF 40/43
UPS 50-40/4	20-125	1-12	1-3	1750	2" non ANSI 4 bolt w/ (4) 0.56" dia. holes	GF 50
UPS 50-80/4	20-160	1-24	1-3	1750	2" non ANSI 4 bolt w/ (4) 0.56" dia. holes	GF 50
UPS 50-80/2	20-150	1-30	1-3	3450	2" non ANSI 4 bolt w/ (4) 0.56" dia. holes	GF 50
UPS 50-160/2	20-170	1-46	1-3	3450	2" non ANSI 4 bolt w/ (4) 0.56" dia. holes	GF 50
UPS 50-240/2	20-180	1-62	3	3450	2" non ANSI 4 bolt w/ (4) 0.56" dia. holes	GF 50
UPS 53-55/57 F	20-150	1-30	1-3	3450	2", 2.5", 3" non ANSI 4 bolt w/ (4) 0.56" dia. holes	GF 53
UPS 75-69 F	20-170	1-46	1-3	3450	3" ANSI 125# R.F.	GF 80
UPS 80-40/4	30-200	1-13	3	1750	3" ANSI 125# R.F.	GF 80
UPS 80-80/4	30-260	1-25	3	1750	3" ANSI 125# R.F.	GF 80
UPS 80-160/2	30-275	1-49	3	3450	3" ANSI 125# R.F.	GF 80
UPS 100-40/4	30-270	1-12	3	1750	4" ANSI 125# R.F.	GF 100

## 4. Cross-reference guide

### Armstrong, B&G and TACO to Grundfos

Manufacturer	Model	Port-to-port length [in]	Flange size [in]	Grundfos model	Port-to-port length [in]	Flange size [in]	
Armstrong	ARMflo E21	8.50	1.50	UP43-110F	8.50	1.50	
	ARMflo E23	8.50	1.50	UP43-110F	8.50	1.50	
	S 45	10.00	2.50, 3	UP53-45F*	9.88	2.00, 2.50, 3.00	
	S 46	10.00	2.50, 3	UP53-46F*	9.88	2.00, 2.50, 3.00	
	S 55	12.00	3.00	UPS53-55/57F*	11.88	2.00, 2.50, 3.00	
	S 57	12.00	3.00	UPS53-55/57F*	11.88	2.00, 2.50, 3.00	
	S 69	14.25	3.00	UPS75-69F*	14.00	2.00, 2.50, 3.00	
	H51	11.50	1.00	UPS32-80/2**	11.00	0.75 to 1.50	
	H52	11.50	1.00	UPS32-80**	11.00	0.75 to 1.50	
	H53	11.50	1.50	UPS40-160/2*	11.50	1.50	
	H54	11.50	2.00	UPS50-80/2*	11.50	2.00	
	H63	13.50	1.50	UPS32-160/2*	13.50	1.50	
	H64	13.50	1.50	UPS32-160/2*	13.50	1.50	
	H65	13.50	1.50	UPS40-240/2*	13.50	1.50	
	H66	14.00	2.00	UPS50-160/2*	14.00	2.00	
	H67	14.00	2.00	UPS50-160/2*	14.00	2.00	
	H68	14.00	2.00	UPS50-240/2*	14.00	2.00	
	1050 1B (0.25 Hp)	11.50	1.00	UPS32-80/2**	11.00	0.75 to 1.50	
	1050 1-1/4B (0.25 Hp)	11.50	1.25	UPS32-80/2**	11.00	0.75 to 1.50	
	1050 1-1/2B (0.25 Hp)	11.50	1.50	UPS32-80/2**	11.00	0.75 to 1.50	
	1050 2B (0.33 Hp)	11.50	2.00	UPS50-80/4*	11.50	2.00	
	1050 2B (0.50 Hp)	11.50	2.00	UPS50-80/4*	11.50	2.00	
	1050 2B (0.75 Hp)	11.50	2.00	UPS50-80/4*	11.50	2.00	
	1060 1-1/2 D (0.50 Hp)	13.50	1.50	UPS32-160/2*	13.50	1.50	
	1060 1-1/2 D (0.75 Hp)	13.50	1.50	UPS32-160/2*	13.50	1.50	
	1060 1-1/2 D (1.50 Hp)	13.50	1.50	UPS40-240/2*	13.50	1.50	
	1060 2D (0.75 Hp)	14.00	2.00	UPS50-160/2*	14.00	2.00	
	1060 2D (1.00 Hp)	14.00	2.00	UPS50-160/2*	14.00	2.00	
	1060 2D (1.50 Hp)	14.00	2.00	UPS50-160/2*	14.00	2.00	
	1060 2D (2.00 Hp)	14.00	2.00	UPS50-240/2*	14.00	2.00	
	TACO	120	11.00	2.00	UPS32-40/4**	11.00	0.75 to 1.50
		131	13.63	3.00	UP53-45F**	10.00	2.00, 2.50, 3.00
		133	13.63	3.00	UPS53-55/57**	11.88	2.00, 2.50, 3.00
1600		10.25	1.50	UPS32-80/2*	11.00	1.50	
1610		10.25	1.50	UPS32-80/2*	11.00	1.50	
1612		13.50	1.50	UPS32-160/2*	13.50	1.50	
1614		13.50	1.50	UPS32-160/2*	13.50	1.50	
1616		14.50	2.00	UPS40-240/2**	13.50	1.50	
1630		13.50	2.00	UPS50-80/4**	11.50	2.00	
1632		13.50	2.00	UPS50-160/2*	14.00	2.00	
1634		13.50	2.00	UPS50-160/2*	14.00	2.00	
1636		16.50	2.00	UPS50-240/2**	14.00	2.00	
1638		16.50	2.00	UPS50-240/2**	14.00	2.00	

\* Bronze version to be used in open systems.

\*\* Replacement model requires piping and/or flange modification.

**Disclaimer:** This cross-reference is a guide only. Use individual technical data sheets for correct comparison.



Manufacturer	Model	Port-to-port length [in]	Flange size [in]	Grundfos model	Port-to-port length [in]	Flange size [in]
B&G	2-1/2"	10.00	2.50	UP53-45F*	9.88	2.00, 2.50, 3.00
	LD3	10.00	3.00	UP53-45F*	9.88	2.00, 2.50, 3.00
	HD3	10.00	3.00	UP53-46F*	9.88	2.00, 2.50, 3.00
	PD-35	12.00	3.00	UPS53-55/57F*	11.88	2.00, 2.50, 3.00
	PD-37	12.00	3.00	UPS53-55/57F*	11.88	2.00, 2.50, 3.00
	PD-38	14.50	3.00	UPS75-69F*	14.00	2.00, 2.50, 3.00
	PD-40	14.50	3.00	UPS50-160/2**	14.00	2.00
	601	11.00	1.00	UPS32-80/2*	11.00	0.75 to 1.50
	602	11.00	1.00	UPS32-80/2*	11.00	0.75 to 1.50
	603	11.00	1.00	UPS50-80/2**	11.50	2.00
	604	11.00	1.25	UPS32-80/2*	11.00	0.75 to 1.50
	609	11.50	1.50	UPS40-160/2*	11.50	1.50
	610	11.50	2.00	UPS50-80/4*	11.50	2.00
	621	13.50	2.00	UPS40-80/4	13.50	1.50
	614	13.50	1.50	UPS40-240/2	13.50	1.50
	615	13.50	2.00	UPS50-160/2	14.00	2.00
	616	13.50	2.00	UPS50-160/2	14.00	2.00
	622	13.50	1.50	UPS32-160/2	13.50	1.50
	623	13.50	1.50	UPS40-240/2	13.50	1.50
	617	13.50	1.50	UPS40-240/2	13.50	1.50
	624	14.00	2.00	UPS50-160/2	14.00	2.00
	625	14.00	2.00	UPS50-240/2	14.00	2.00
	60-11	11.00	1.25	UPS32-80/2*	11.00	0.75 to 1.50
	60-13	11.50	1.50	UPS40-160/2*	11.50	1.50
	60-14	11.50	2.00	UPS50-80/2*	11.50	2.00
	60-15	13.50	1.50	UPS32-160/2	13.50	1.50
	60-16	13.50	1.50	UPS32-160/2	13.50	1.50
	60-17	13.50	1.50	UPS40-240/2	13.50	1.50
	60-19	14.00	2.00	UPS50-160/2	14.00	2.00
	60-20	14.00	2.00	UPS50-160/2	14.00	2.00
	60-21	14.00	2.00	UPS50-240/2	14.00	2.00

\* Bronze version to be used in open systems.

\*\* Replacement model requires piping and/or flange modification.

**Disclaimer:** This cross-reference is a guide only. Use individual technical data sheets for correct comparison.

## 5. Construction

### Construction

UP(S) Series 200 pumps are of the canned rotor type, i.e. pump and motor form an integral unit without shaft seal and with only two gaskets for sealing.

The bearings are lubricated by the pumped liquid.

Attention has been focused on using as few materials as possible, and the use of materials that might cause problems in connection with disposal have been omitted.

#### Features:

- UPS motors are two- or three-speed motors. UP motors are single-speed dual-voltage motors.
- Stainless steel rotor can, bearing plate and rotor cladding.
- Stator housing in aluminum alloy.
- Cast iron or bronze pump housing.
- Stator with built-in thermal overload switch.

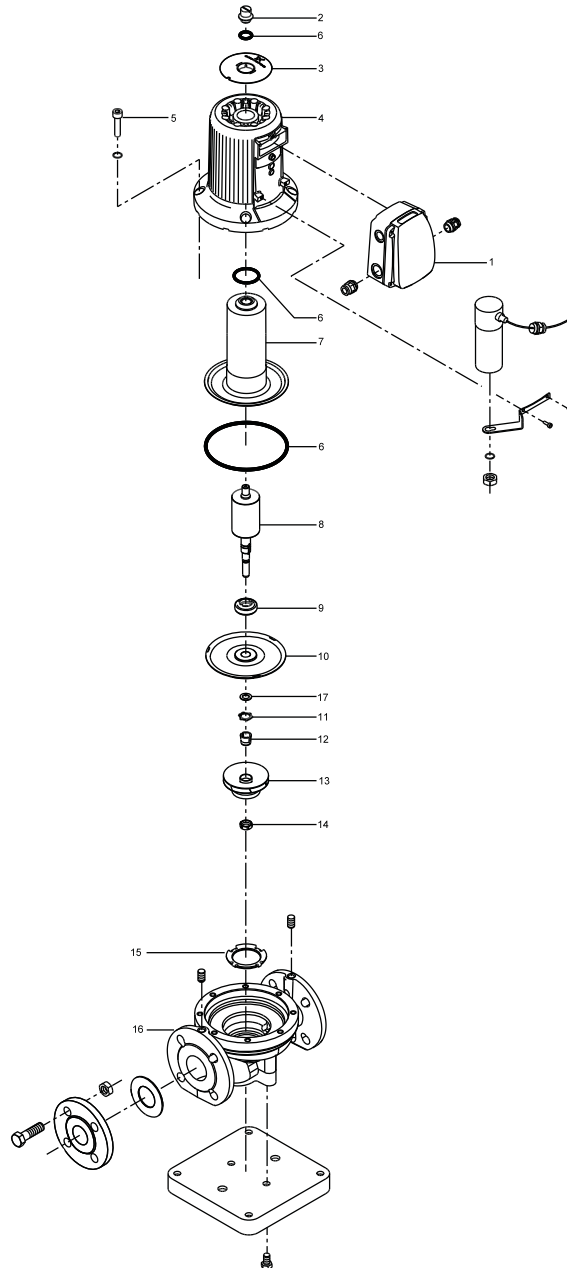


Fig. 2 Exploded view of a UP(S) Series 200 pump

TN03 7880 5106

## Material specification

Pos.	Description	Material	AISI/ASTM
1	Terminal box	Composite PA66	
2	Inspection screw	Brass with nickel	
3	Nameplate	Composite PA66	
4	Stator housing	Aluminium AISi10Cu <sub>2</sub>	
	Stator windings	Copper wire	
	Stator caps	Composite PETP	
5	Cheese-head screw	Steel 8.8	
6	O-rings	EPDM rubber	
7	Outer bearing ring	Aluminium oxide/SiC	
	Rotor can	Stainless steel	AISI 304
8	Shaft (cast-iron pumps)	Stainless steel	AISI 303
	Shaft (bronze pumps)		AISI 316
	Rotor cladding	Stainless steel	AISI 304
	Bearing	Tungsten carbide	

Pos.	Description	Material	AISI/ASTM
9	Thrust bearing	Carbon MY 106	
10	Bearing plate	Stainless steel	AISI 304
	Inner bearing ring	Aluminium oxide/SiC	
11	Stop ring	Stainless steel	
12	Split cone	Stainless steel	AISI 303
13	Impeller	Stainless steel	AISI 304
14	Nut	Stainless steel	AISI 303
15	Neck ring	Stainless steel/PTFE	AISI 304
		Cast iron EN-GJL-250	
16	Pump housing	Bronze CuSn10, DIN 1705	ASTM B505 and B271
17	Anti-friction ring	PTFE	
18	Splash protector	Stainless steel	AISI 303

## Sectional drawing

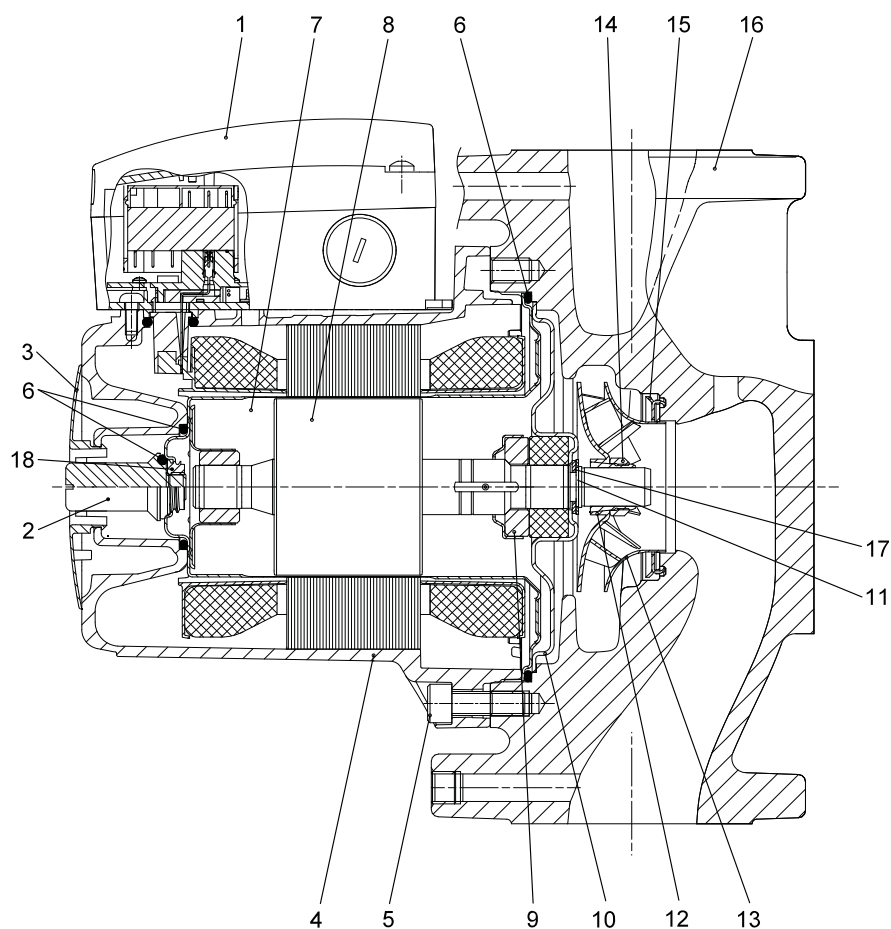


Fig. 3 Sectional view

TM02 1397 0907

## Motor

The motor, pos. 4, is a 2- or 4-pole, asynchronous squirrel-cage motor. As the motor is cooled by the pumped liquid, the noise level is very low.

## Stator housing

Pressure die-cast aluminum stator housing can be turned to change the position of the terminal box.

The stator housing has eight drain holes to enable condensed water to escape. The vent hole under the terminal box allows the water to evaporate from the stator. The drain holes must point downwards.

The permissible terminal box positions are shown in the drawing below. The positions apply to both vertical and horizontal mounting.

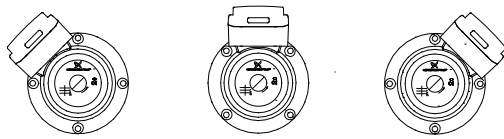


Fig. 4 Possible terminal box positions

TM02 1398 1101

**Note:** The terminal box must only be turned to the above positions.

The drawing below shows the standard box position.

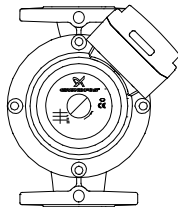


Fig. 5 Standard terminal box position

TM03 2260 4005

The nameplate can be turned in steps of 45°.

The positions of the terminal box and the nameplate are changed as described above.

The stator wires are self-bonding. The wires and the terminal box are connected by a terminal plug.

The stator incorporates a thermal overload switch for protection of the motor if the winding temperature becomes too high.

## Rotor can

The rotor can (pos. 7) is made of drawn steel sheet and fitted with an inspection screw directly at the top.

There is an O-ring seal between the inspection screw and the rotor can. For reasons of safety, the hole for the inspection screw will deflect a possible jet of liquid if the inspection screw is removed.

The outer radial bearing is fitted into the top of the rotor can.

## Shaft with rotor

The shaft (pos. 8) is made of stainless steel and equipped with two tungsten carbide bearings.

To further improve the internal circulation of the pumped liquid in the rotor can, the shaft of 4-pole motors is fitted with a small rotor impeller.

The rotor is made of soft-annealed iron lamination and provided with copper or brass bars. The short-circuit rings are made of copper.

The rotor is encapsulated in a thin stainless steel cladding and dynamically balanced.

The thrust bearing is secured to the shaft in a spherically flexible suspension.

## Bearing plate

The bearing plate (pos. 10) is made of stainless steel.

The inner radial bearing is pressed into the bearing plate, ground and honed. The relatively large bearing plate surface means that motor heat is effectively carried away by the pumped liquid.

## Impeller

The stainless steel impeller (pos. 13) is of the radial type with curved blades. It is secured to the shaft by a split cone and nut (left-hand thread).

## Pump housing

The pump housing (pos. 16) is available in cast iron or bronze. All pump housings are flanged for the individual markets.

See also section 4. *Cross-reference guide* on page 8 and section 5. *Construction* on page 10 concerning flanges and port-to-port lengths.

The pump housing is of the in-line type. A stainless steel/PTFE neck ring minimizes the recirculation and improves pump efficiency.

The bottom of the housing has threaded holes for fastening to a baseplate.

## 6. Operating conditions

### Pumped liquids

**CAUTION:** This pump is intended for use with water only.

Grundfos UP(S) pumps can be used to circulate

- Potable hot water
- Water for hydronic heating
- Water/glycol mixtures up to 50/50
- Cooling water.

**In domestic hot-water systems** it is advisable to use a bronze pump (UP(S) model) only for water with a degree of hardness lower than 14 grains per gallon of hardness. For water with a higher degree of hardness, a direct coupled TP pump is recommended.

If the pump is installed **in a heating system**, the water should meet the requirements of accepted standards on water quality in heating systems.

In water/glycol mixtures, in order to prevent the glycol from degrading, temperatures above those for which the fluid is rated should be avoided and time spent at high temperatures minimized.

It is also important that the system is cleaned and flushed prior to the installation of the glycol mixture.

In order to avoid problems with corrosion or precipitation, the glycol fluids should be checked and maintained regularly. If further dilution of the supplied glycol is required, follow the requirements of the supplier of the glycol.

The pump is lubricated and cooled by the liquid being pumped. Therefore, the pumped liquid must always be allowed to circulate through the pump. Extended periods without circulation will cause premature wear to the bearings and excessive motor heat. The pumped liquid must also meet the following requirements.

The pumping of liquids with densities or kinematic viscosities higher than those of water will cause

- a considerable pressure drop
- a drop in the hydraulic performance
- a rise in the power consumption.

In these situations, contact Grundfos for assistance.

### Temperature limits

Ambient air temperature	32 °F to 104 °F (0 °C to 40 °C)
Fluid temperature, open systems	140 °F (60 °C).
Fluid temperature, closed systems	UPS pumps: 248 °F (120 °C). UP pumps: 230 °F (110 °C).

### Other technical data

Relative humidity: Max. 95 %.

Sound-pressure level: The sound-pressure level of the pump is lower than 41 dB(A) (reference: 20 mPa).

Max. working pressure: 145 psi (10 bar).

Approvals: See the pump nameplate.

#### Inlet pressure

To avoid cavitation noise, the following minimum pressures are required at the pump suction flange:

UP(S) model	Liquid temperature					
	167 °F (75 °C)		194 °F (90 °C)		230 °F (110 °C)	
	[psi]	[ft]	[psi]	[ft]	[psi]	[ft]
UPS 32-40	0.7	1.6	2.2	5.1	21.0	48.5
UPS 32-80	0.7	1.6	5.1	11.8	23.9	55.2
UPS 32-160	11.6	26.8	16.0	37.0	34.1	78.8
UPSD 40-40	0.7	1.6	4.4	10.2	23.2	53.6
UPS 40-80/4	0.7	1.6	1.5	3.5	18.1	41.8
UPS40-80/2	6.5	15.0	10.9	25.2	29.0	67.0
UPS 40-160	5.1	11.8	9.4	21.7	27.6	63.8
UPS 40-240	11.6	26.8	16.0	37.0	34.1	78.8
UPS 50-40	0.7	1.6	2.9	6.6	21.8	50.4
UPS 50-80/4	0.7	1.6	4.4	10.2	23.2	53.6
UPS 50-80/2	4.4	10.2	8.7	20.1	26.8	61.9
UPS 50-160	11.6	26.8	16.0	37.0	34.1	78.8
UPS 50-240	10.2	23.6	14.5	33.5	32.6	75.1
UPS 53-55/57	4.4	10.2	8.7	20.1	26.8	61.9
UPS 75-69	11.6	26.8	16.0	37.0	34.1	78.8
UPS 80-40	11.6	26.8	16.0	37.0	34.1	78.8
UPS 80-80	14.5	33.5	18.9	43.7	37.0	85.5
UPS 80-160	21.8	50.4	26.1	60.3	43.5	100.5
UPS 100-40	27.6	63.8	31.9	73.7	50.0	115.5
UP 43-70F	0.7	1.6	4.8	11.0	15.4	35.6
UP 43-110	3.6	8.4	8.2	19.0	18.9	43.7
UP 53-45	2.9	6.6	7.5	17.3	18.1	41.8
UP 53-46	1.1	2.5	5.8	13.4	16.4	37.9

## Electrical data

### Supply voltage and frequency

**UPS:** 115 V, 230 V, 1-phase 60 Hz, 208-230 V, 460 V, 575 V, 3 phase 60 Hz.

**UP:** 115 V, 230V, 1-phase 60 Hz, 460 V, 575 V, 3-phase 60Hz.

Back-up fuse: Max. 10 A.

Enclosure class: IP 44 indoor use only.

### Supply voltage tolerances

The motors meet the requirements to temperature rise at - 6 / +6 %.

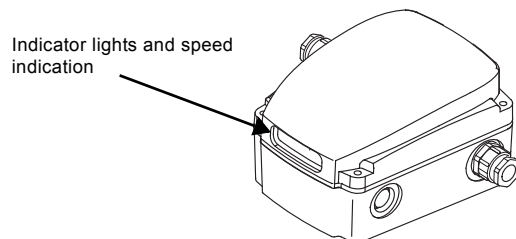
Furthermore, the motors have been tested at -10 / +10 % of the voltage range. During these tests, the motors operate without problems and without being thermally cut out.

The motor voltage tolerances are intended for power supply voltage variations. They should not be used for running motors at other voltages than those stated on the name plates.

### Variable speed applications

All 3 x 460 V, 3 x 575 V and 3-speed 3 x 208-230 V pumps with standard module are suitable for frequency converter applications. Please refer to section *Variable frequency drive operation* on page 17 for further information.

## Terminal box



**Fig. 6** Terminal box

The terminal box with cover (pos. 1) is made from black composite material.

The terminal box is equipped with:

- 1 x 1½" NPT screwed cable entry for mains connection, to be fitted during installation.
- 1 x M16 screwed cable entry for capacitor connection (only single-phase pumps)
- 2 x indicator lights (single-phase pumps with standard module have just one).

**Note:** UPS pumps only.

- window for indication of speed.

**Note:** UPS pumps only.

The terminal box is fastened to the stator housing with screws and connected to the stator by a terminal plug.

## Insulation class

Pump type	Insulation class	
<b>UPS</b>	<b>1 x 115 V</b> <b>1 x 230 V</b>	<b>3 x 208-230 V</b> <b>3 x 460 V</b> <b>3 x 575 V</b>
32-40	F	F
32-80	F	F
32-160	H	F
40-40	F	F
40-80/4	H	H
40-80/2	F	F
40-160	H	H
40-240	H	H
50-40	F	F
50-80/4	H	H
50-80/2	H	F
50-160	H	H
50-240	—	H
53-55/57	H	F
75-69	H	H
80-40	—	H
80-80	—	H
80-160	—	H
100-40	—	H

Pump type	Insulation class
<b>UP</b>	<b>1 x 115/230 V</b>
43-70	F
43-110	F
53-45	F
53-46	F

### Thermal overload switch

<b>Voltage</b>	250 V AC
<b>Current</b>	cos phi = 1.0: 2.5 A cos phi = 0.6: 1.6 A

### Start/stop input (relay module)

External potential-free contact.

Maximum load: 250 V, 1.5 mA.

Minimum load: 100 V, 0.5 mA.

### Operating/fault signal output (relay module)

Internal potential-free changeover contact.

Maximum load: 250 V, 2 A, AC.

Minimum load: 5 V, 100 mA, DC.

TM00 9133 4596

## 7. Functions

### Functions

Pump model	UPS terminal box includes				Additional terminal box options		External contactor required	Number of speeds	
	Voltage options	Speed switch	Standard module	Protection module	Terminal block	Protection module			Relay module
UPS 32	1 x 115/230	■		■			●	3	
	3 x 208/230	■	■			●	●	◆	3
	3 x 460	△			■			□	2
	3 x 575 ★	△			■			□	2
UPS 40	1 x 115/230	■		■			●	3	
	3 x 208/230	■	■			●	●	◆	3
	3 x 460	△			■			□	2
	3 x 575 ★	△			■			□	2
UPS 50	1 x 115/230	■		■			●	3	
	3 x 208/230	■	■			●	●	◆	3
	3 x 460	△			■			□	2
	3 x 575 ★	△			■			□	2
UPS 53-55/57	1 x 115/230	■		■			●	3	
	1 x 230	■		■			●	3	
	3 x 208/230	■	■			●	●	◆	3
	3 x 460	△			■			□	2
UPS 75-69	3 x 575 ★	△			■			□	2
	1 x 230	■		■			●	3	
	3 x 208/230	■		■			●	3	
	3 x 460	■	■			●	●	◆	3
UPS 80	3 x 575 ★	△			■			□	2
	1 x 115/230	■		■	■		●	3	
	3 x 208/230	■	■			●	●	◆	3
	3 x 460	△			■			□	2
UPS 100	3 x 575 ★	△			■			□	2
	1 x 115/230	■		■			●	3	
	3 x 208/230	■	■	■		●	●	◆	3
	3 x 460	△			■			□	2
UP 43-70	1 x 115/230				■			□	1
UP 43-110	1 x 115				■			□	1
UP 53-45	1 x 115/230				■			□	1
UP 53-46	1 x 115/230				■			□	1

★ Canada only

■ Standard

△ The speed is changed by reconfiguring the jumper positions, located in the terminal box.

● Optional

□ Required

◆ External contactor is not required when using the Protection Module option.

**Standard module:** Indicator lights with no motor protection. For motor protection, use Protection Module for 1 x 115/230 V and 3 x 208/230 V units or use an external contactor.

**Protection module:** Indicator lights with built-in motor protection. Connect directly to line voltage.

**Note:** Pumps with protection module must not be connected to a variable frequency drive (VFD).

**Relay module:** Indicator lights with signal output for external control or fault indication (1 x 115/230 V or 3 x 208/230 V units only).

**External contactor required:** Pump must be connected to line voltage via an external contactor. The contactor is to be connected to the pump's built-in thermal overload terminals. The speed is changed by orientation of the internal jumpers.

## Description of functions

### Three-speed pumps

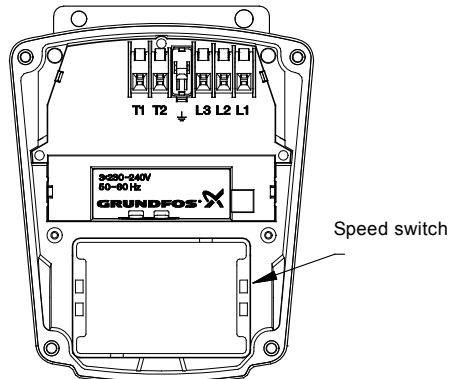


Fig. 7 3 x 208/230V terminal box

By means of the speed switch, the pump performance can be adjusted to suit the system in question.

For 1 x 115/230 V and 3 x 208/230 V three-speed pumps only. The module is located inside the terminal box. It has three positions:

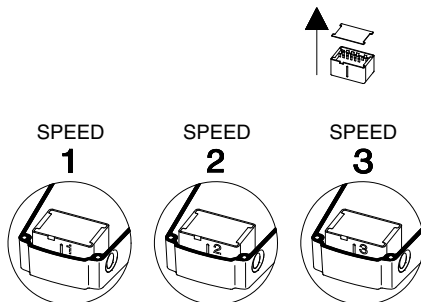


Fig. 8 Speed switch module

Switch position	Speed in % of maximum speed	
	Single-phase pumps	Three-phase pumps
1	approx. 60%	approx. 70%
2	approx. 80%	approx. 85%
3	100%	100%

Note: UP pumps runs at 100%.

Change to a lower speed enables considerable reduction in energy consumption and less noise in the system.

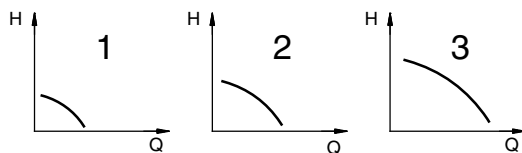


Fig. 9 Pump performance at the three speeds

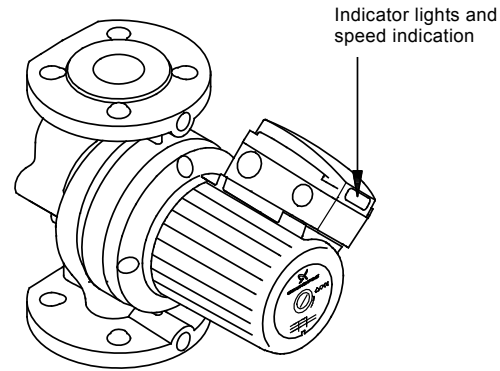


Fig. 10 UPS Series 200 pump with terminal box mounted

### Two-speed pumps

All UPS pumps with 3 x 460 V & 575 V terminal boxes are fitted with a special two-speed terminal block.

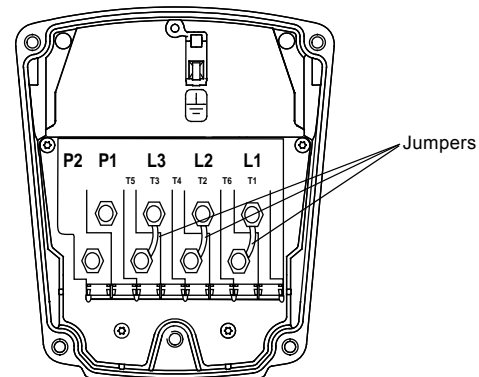


Fig. 11 3 x 460 V & 575 V terminal box

The speed is changed by changing the jumper positions.

**The pump must be connected to the mains via an external contactor. The contactor is to be connected to the pump's built-in thermal overload switch (terminals P1 and P2) to protect the pump against overheating at both speeds.**

#### Speed selection (two-speed, 3 x 460 V and 575 V)

The speed setting in the terminal box can be changed to two positions. The speed in the two positions appears in the table below

Speed step	Speed in % of maximum
1	Approx. 75%
2	100%

### Single-speed pumps

#### UP pumps (1 x 115/230 V)

UP pumps are single-speed pumps with a 1 x 115 V/230 V terminal box with a dual-voltage terminal block. See fig. 12.

TM00 9235 3802

TM00 9583 4996

TM00 9247 4595

TM00 9747 0602

TM02 5740 3202



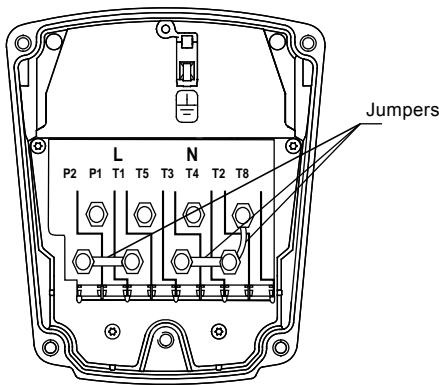


Fig. 12 1 x 115/230 V terminal box

TM02 5761 3902

The voltage is changed by changing the orientation of the jumpers. See fig. 12.

The pump must be connected to the power supply via an external switch.

The UP pumps are equipped with a built-in, automatically resetting terminal overload switch, protecting the pump at both 115 V and 230 V. The built-in terminal overload switch (terminals P1 and P2) can optionally be connected to external overload protection.

### Pumps with standard module

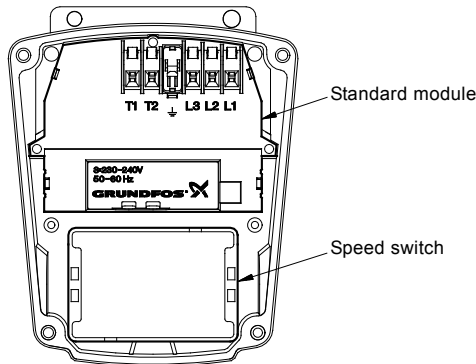


Fig. 13 Terminal box with standard module

TM00 9237 4597

The standard module is standard in three-phase pumps with three speeds and forms connection between supply terminals and motor.

The pumps with standard module must be connected to the power supply via an external contactor.

For motor protection the contactor is to be connected to the pump's built-in thermal overload switch to protect the pump against overheating at all three speeds.

### Standard module indicator lights

The indicator lights on pumps with standard module show whether the pump is live, or whether the phase sequence of three-phase pumps is wrong.

### Single-phase pumps

Single-phase pumps incorporate a green indicator light only:

Indicator light	Description
On	The electricity supply has been switched on.
Off	The electricity supply has been switched off, or the pump has been cut out by the thermal overload switch.

### Three-phase pumps

Three-phase pumps have a green and a red indicator light:

Indicator lights		Description
Green	Red	
Off	Off	The electricity supply has been switched off, or the pump has been cut out by the thermal overload switch.
On	Off	The electricity supply has been switched on.
On	On	The electricity supply has been switched on. The direction of rotation is wrong.

### Variable frequency drive operation

All 3 x 460 V, 3 x 575 V and 3-speed 3 x 208-230 V pumps with standard module are suitable for variable frequency drive (VFD) applications. Please note the following:

- Even if the red indicator light is on, the pump is operating normally.
- Pumps fitted with other modules than the standard module must not be connected to a VFD.
- Depending on the VFD type, this may cause increased acoustic noise from the motor. Furthermore, it may cause the motor to be exposed to detrimental voltage peaks.
- The motor must be protected against voltage peaks higher than 650 V between the motor terminals.

Acoustic noise and detrimental voltage peaks can be reduced by fitting an LC filter between the VFD and the motor.

### Pumps with protection module

The protection module is standard for single-phase UPS pumps and available for 3 x 208-230 V UPS pump models only as an option.

When fitted with a protection module, the pump can be connected directly to the power supply switch as it will be protected by the built-in overload protection.

The protection module incorporates two indicator lights.

## Protection module indicator lights

Indicator lights		Description
Green	Red	
Off	Off	The pump has been stopped. The electricity supply has been switched off.
On	Off	The pump is operating.
On	On	Three-phase pumps only: The pump is operating, but the direction of rotation is wrong.
Off	On	The pump has been cut out by the thermal overload switch.

**Note:** Pumps with protection module must not be connected to a variable frequency drive.

## Pumps with relay module

The relay module is available for UPS pumps as an option for 1 x 115/230 V and 3 x 208-230 V units.

The module enables direct connection of the pump to an external power supply switch. Furthermore, the module has a signal output for external operating or fault indication. By means of a selector switch the output can be set to activation during operation or fault.

The pump is connected directly to the power supply as the pump incorporates overload protection at all three speeds.

**Note:** Pumps with relay module must not be connected to a variable frequency drive (VFD).

If the pump has been cut out by the thermal overload switch, it will restart automatically when it has cooled to normal temperature, provided the external on/off contact is closed.

**Note:** If the thermal overload switch has cut out the pump three times within a short time, the relay must be reset manually by switching off the electricity supply.

## Relay module indicator lights

The relay module indicator lights provides detailed operating and fault indications.

All pumps with relay module incorporate a green and a red indicator light. Functions, see table in Signal output of relay module.

## Signal output of relay module

The relay module has a signal output for external operating or fault indication.

By means of the selector switch, the signal output can be set to activation during operation or fault.



**Operation:** The output functions as operating indication between terminals 2 and 3.



**Fault:** The output functions as fault indication between terminals 1 and 3.

Indicator lights		Signal output set to		Description
Green	Red	Operation	Fault	
Off	Off			The pump has been stopped. The electricity supply has been switched off, or a phase is missing.
On	Off			The pump is operating.
On	On			<b>Only three-phase pumps:</b> The pump is operating, but with wrong direction of rotation.
Off	On			The pump has been cut out by the thermal overload switch.
Flash-ing	Off			The pump has been stopped by an external on/off switch.
Flash-ing	On			The pump is or has been cut out by the thermal overload switch, and it has been stopped by an external on/off switch.

## Two pumps plumbed in parallel

### Operating modes

Both pumps must be fitted with a relay module.

In addition to the signal functions, the signal output of the relay module for two pumps in parallel can be used for controlling the operating mode of pump 1 and 2.

It is possible to choose between three operating modes:

- 1. Alternating operation.** The pumps operate alternately as duty and standby pump, respectively. Changeover takes place every 24 hours. If the duty pump is cut out due to a fault, the standby pump will automatically start. During changeover both pumps will be running for a short period to ensure a low-noise changeover.
- 2. Standby operation.** The pumps operate continuously as duty and standby pump, respectively. If the duty pump is cut out due to a fault, the standby pump will automatically start at a signal from the output of the duty pump. The sequence can be changed to make the standby pump operate as duty pump.
- 3. Single-pump operation.** The pumps run independently without communicating with each other.

## 8. Technical data

### Technical data, UPS

Model	Cast iron product number	Bronze product number	Max. Hp Speed 3	Ph	Voltage	Speed	I-MAX. [Amps]	P-MAX. [Watts]	Istart [Amps]	
UPS 32-40/4	96402694	96402699	0.33	1	115	3	1.08	120	2.10	
						2	1.04	100	2.02	
						1	0.95	85	1.85	
	96402695	96402700			230	3	0.54	120	1.00	
						2	0.52	100	0.96	
						1	0.47	85	0.87	
	96402696	96402701	208-230	3	0.56	115	1.60			
				2	0.26	75	0.74			
				1	0.24	65	0.69			
	96402697	96402702		3	460	3	0.28	115	0.82	
						2	0.13	75	0.38	
						▲	▲	▲	▲	
96402698	96402703	575★	3		3	0.22	115	0.66		
					2	0.10	75	0.30		
					▲	▲	▲	▲		
UPS 32-80/2	96402708		96402713	0.50	1	115	3	2.66	280	7.10
							2	2.50	260	6.67
							1	2.50	250	6.67
	96402709	96402714	230			3	1.34	280	3.80	
						2	1.26	260	3.29	
						1	1.26	250	3.29	
	96402710	96402715	208-230	3	1.10	280	5.00			
				2	0.72	235	3.93			
				1	0.58	195	3.16			
	96402711	96402716		3	460	3	0.55	280	2.80	
						2	0.36	235	1.96	
						▲	▲	▲	▲	
96402712	96402717	575★	3		3	0.44	280	2.20		
					2	0.29	235	1.60		
					▲	▲	▲	▲		
UPS 32-160/2	96402730		96402739	0.75	1	115	3	5.80	625	14.60
							2	5.80	600	14.60
							1	5.50	555	13.84
	96402733	96402740	230			3	2.90	625	6.70	
						2	2.90	600	6.70	
						1	2.75	555	6.35	
	96402736	96402741	208-230	3	1.96	600	9.30			
				2	1.25	430	5.93			
				1	1.12	380	5.31			
	96402737	96402742		3	460	3	0.98	600	4.70	
						2	0.63	430	3.02	
						▲	▲	▲	▲	
96402738	96402743	575★	3		3	0.78	600	3.76		
					2	0.50	430	2.40		
					▲	▲	▲	▲		

▲ All 3-phase, 460V and 575V pumps are 2-speed only.

★ Canada only

Model	Cast iron product number	Bronze product number	Max. Hp Speed 3	Ph	Voltage	Speed	I-MAX. [Amps]	P-MAX. [Watts]	Istart [Amps]
UPS 40-40/4	96402748	96402753	0.33	1	115	3	1.60	170	3.10
						2	1.48	150	2.87
						1	1.34	125	2.60
	96402749	96402754			230	3	0.80	170	1.50
						2	0.74	150	1.39
						1	0.66	125	1.24
	96402750	96402755		208-230	3	0.88	260	2.50	
					2	0.42	120	1.19	
					1	0.36	100	1.02	
	96402751	96402756		3	460	3	0.44	260	1.30
						2	0.21	120	0.62
						▲	▲	▲	▲
	96402752	96402757			575★	3	0.33	260	1.04
						2	0.17	120	0.50
						▲	▲	▲	▲
UPS 40-80/4	96404948	96404953	0.50	1	115	3	5.50	565	9.50
						2	5.15	485	8.90
						1	4.30	410	7.43
	96404949	96404954			230	3	2.75	565	4.70
						2	2.60	485	4.44
						1	2.15	410	3.67
	96404950	96404955		208-230	3	1.98	550	7.10	
					2	1.20	370	4.30	
					1	1.00	305	3.59	
	96404951	96404956		3	460	3	0.99	550	4.70
						2	0.60	370	4.44
						▲	▲	▲	▲
	96404952	96404957			575★	3	0.78	550	3.76
						2	0.48	370	3.55
						▲	▲	▲	▲
UPS 40-80/2	96402762	96402767	0.75	1	115	3	4.45	480	11.00
						2	4.40	450	10.88
						1	4.40	440	10.88
	96402763	96402768			230	3	2.24	480	5.60
						2	2.20	450	5.50
						1	2.18	440	5.45
	96402764	96402769		208-230	3	1.45	440	7.40	
					2	0.94	320	4.80	
					1	0.86	290	4.39	
	96402765	96402770		3	460	3	0.73	440	3.70
						2	0.47	320	2.38
						▲	▲	▲	▲
	96402766	96402771			575★	3	0.58	440	2.96
						2	0.38	320	1.90
						▲	▲	▲	▲

▲ All 3-phase, 460V and 575V pumps are 2-speed only.

★ Canada only

Model	Cast iron product number	Bronze product number	Max. Hp Speed 3	Ph	Voltage	Speed	I-MAX. [Amps]	P-MAX. [Watts]	Istart [Amps]	
UPS 40-160/2	96402782	96402787	0.75	1	115	3	8.40	890	18.60	
						2	7.45	760	16.50	
						1	6.95	690	15.39	
	96402783	96402788			230	3	4.20	890	9.30	
						2	3.75	760	8.30	
						1	3.45	690	7.64	
	96402784	96402789	208-230	3	2.50	800	12.40			
				2	1.75	570	8.68			
				1	1.55	500	7.69			
	96402785	96402790		460	3	1.25	800	6.20		
					2	0.88	570	4.36		
					▲	▲	▲	▲		
96402786	96402791	575★	3		1.00	800	4.96			
			2		0.70	570	3.50			
			▲		▲	▲	▲			
UPS 40-240/2	96402797		96402804	1.50	1	230	3	6.20	1350	11.80
							2	5.55	1200	10.56
							1	5.15	1100	9.80
	96402798	96402805	208-230			3	4.50	1440	23.80	
						2	3.25	1100	17.19	
						1	2.95	990	15.60	
	96402799	96402807		460	3	2.25	1440	11.60		
					2	1.63	1100	8.40		
					▲	▲	▲	▲		
	96402801	96402809	575★		3	1.80	1440	9.28		
					2	1.30	1100	6.72		
					▲	▲	▲	▲		
UPS 50-40/4	96402814	96402819		0.33	1	115	3	2.66	285	5.20
							2	2.60	244	5.08
							1	2.20	204	4.30
	96402815	96402820	230			3	1.32	285	2.60	
						2	1.30	244	2.56	
						1	1.10	204	2.17	
	96402816	96402821		208-230	3	1.40	270	4.60		
					2	0.66	170	2.17		
					1	0.54	150	1.77		
	96402817	96402822	460		3	0.70	270	2.30		
					2	0.33	170	1.08		
					▲	▲	▲	▲		
96402818	96402823	575★		3	0.56	270	1.84			
				2	0.26	170	0.86			
				▲	▲	▲	▲			

▲ All 3-phase, 460V and 575V pumps are 2-speed only.  
 ★ Canada only

Model	Cast iron product number	Bronze product number	Max. Hp Speed 3	Ph	Voltage	Speed	I-MAX. [Amps]	P-MAX. [Watts]	Istart [Amps]
UPS 50-80/4	96404958	96404963	0.75	1	115	3	7.55	720	13.20
						2	6.85	620	11.98
						1	5.15	480	9.00
	96404959	96404964			230	3	3.80	720	6.50
						2	3.40	620	5.82
						1	2.60	480	4.45
	96404960	96404965		208-230	3	2.44	640	8.50	
					2	1.44	450	5.02	
					1	1.24	390	4.32	
	96404961	96404966		3	460	3	1.22	640	4.30
						2	0.72	450	2.54
						▲	▲	▲	▲
96404962	96404967	575★	3		0.98	640	3.44		
			2		0.58	450	2.00		
			▲		▲	▲	▲		
UPS 50-80/2	96402834	96402843	0.75	1	115	3	5.85	630	14.60
						2	5.80	610	14.48
						1	5.70	600	14.23
	96402836	96402844			230	3	2.95	630	7.30
						2	2.90	610	7.18
						1	2.85	600	7.05
	96402838	96402845		208-230	3	1.92	610	9.30	
					2	1.20	440	5.81	
					1	1.08	400	5.23	
	96402840	96402846		3	460	3	0.96	610	4.70
						2	0.60	440	2.94
						▲	▲	▲	▲
96402842	96402847	575★	3		0.77	610	3.76		
			2		0.48	440	2.40		
			▲		▲	▲	▲		
UPS 50-160/2	96411613	96411614	1.50	1	230	3	5.80	1250	26.50
						2	5.20	1100	23.76
						1	4.85	1050	22.16
	96402860	96402866			208-230	3	4.00	1300	22.80
						2	3.00	1000	17.10
						1	2.75	950	15.68
	96402861	96402868		3	460	3	2.00	1300	11.40
						2	1.50	1000	8.55
						▲	▲	▲	▲
	96402862	96402870			575★	3	1.60	1300	9.12
						2	1.20	1000	6.84
						▲	▲	▲	▲
UPS 50-240/2	96402882	96402885	2.00	3	208-230	3	5.80	1700	26.50
						2	3.95	1300	23.10
						1	3.50	1150	20.47
	96402883	96402886			460	3	2.65	1700	15.40
						2	1.98	1300	11.51
						▲	▲	▲	▲
	96402884	96402887		575★	3	2.12	1700	12.32	
					2	1.68	1300	9.21	
					▲	▲	▲	▲	

▲ All 3-phase, 460V and 575V pumps are 2-speed only.

★ Canada only

Model	Cast iron product number	Bronze product number	Max. Hp Speed 3	Ph	Voltage	Speed	I-MAX. [Amps]	P-MAX. [Watts]	Istart [Amps]		
UPS 53-55/57	96654373	96654392	0.75	1	115	3	5.85	630	14.60		
						2	5.80	610	14.23		
						1	5.70	600	14.48		
	96654374	96654393			230	3	2.95	630	7.30		
						2	2.90	610	7.18		
						1	2.85	600	7.05		
	96654375	96654394	208-230	3	1.92	610	9.30				
				2	1.20	440	5.81				
				1	1.08	400	5.23				
	96654376	96654395		460	3	0.96	610	4.70			
					2	0.60	440	2.94			
					▲	▲	▲	▲			
96654377	96654396	575★	3		0.77	610	3.76				
			2		0.48	440	2.40				
			▲		▲	▲	▲				
UPS 75-69	96654378		96654397	1.50	1	230	2	5.20	1100	23.76	
							1	4.85	1050	22.16	
							3	4.00	1300	22.80	
	96654379	96654398	208-230			2	3.00	1000	17.10		
						1	2.75	950	15.68		
						3	2.00	1300	11.40		
	96654390	96654399		460	2	1.50	1000	8.55			
					▲	▲	▲	▲			
					3	1.60	1300	9.12			
	96654391	96654400	575★		2	1.20	1000	6.84			
					▲	▲	▲	▲			
					3	1.62	380	7.10			
UPS 80-40/4	96402894	96402899		0.50	3	208-230	2	0.87	260	3.81	
							1	0.77	230	3.37	
							3	0.81	380	3.50	
	96402895	96402900	460			2	0.44	260	1.90		
						▲	▲	▲	▲		
						3	0.65	380	2.80		
	96402896	96402901		575★	2	0.35	260	1.52			
					▲	▲	▲	▲			
					3	3.60	1050	11.80			
	UPS 80-80/4	96402908	96402913		1.50	3	208-230	2	2.08	660	6.82
								1	1.72	550	5.64
								3	6.35	2050	31.00
UPS 80-160/2	96402920	96402923	3.00	3			208-230	2	4.20	1550	20.50
								1	4.05	1500	19.77
								3	3.13	2050	15.40
	96402921	96402924			460	2	2.10	1550	10.17		
						▲	▲	▲	▲		
						3	2.54	2050	12.32		
96402922	96402925	575★	2	1.68		1550	8.14				
			▲	▲		▲	▲				
			3	1.62		380	7.10				

▲ All 3-phase, 460V and 575V pumps are 2-speed only.  
 ★ Canada only

Model	Cast iron product number	Bronze product number	Max. Hp Speed 3	Ph	Voltage	Speed	I-MAX. [Amps]	P-MAX. [Watts]	Istart [Amps]
UPS 100-40/4	96402934	96402937	1.00	3	208-230	3	2.50	570	10.80
						2	1.38	435	5.96
						1	1.24	390	5.36
	3	1.24				570	5.40		
	2	0.70				435	3.05		
	▲	▲				▲	▲		
	96402935	96402938			460	3	1.00	570	4.32
						2	0.55	435	2.44
						▲	▲	▲	▲
						3	1.00	570	4.32
96402936	96401961	575★	2	0.55		435	2.44		
			▲	▲		▲	▲		

▲ All 3-phase, 460V and 575V pumps are 2-speed only.

★ Canada only

## Technical data, UP

Pump type	Cast iron product number	Bronze product number	Hp	Ph	Voltage	I-MAX [Amps]	P-MAX [Watts]
UP 43-70	96439644	—	0.50	1	115/230	3.4/1.8	400
UP 43-110	96439643	—	0.75	1	115/230	4.9/2.5	570
UP 53-45	96633576	96633578	0.50	1	115/230	3.5/1.9	360
UP 53-46	96633591	96633592	0.75	1	115/230	3.9/2.1	420

## Curve conditions

The guidelines listed below, apply to the performance curves in section 9. *Curve charts and technical data*:

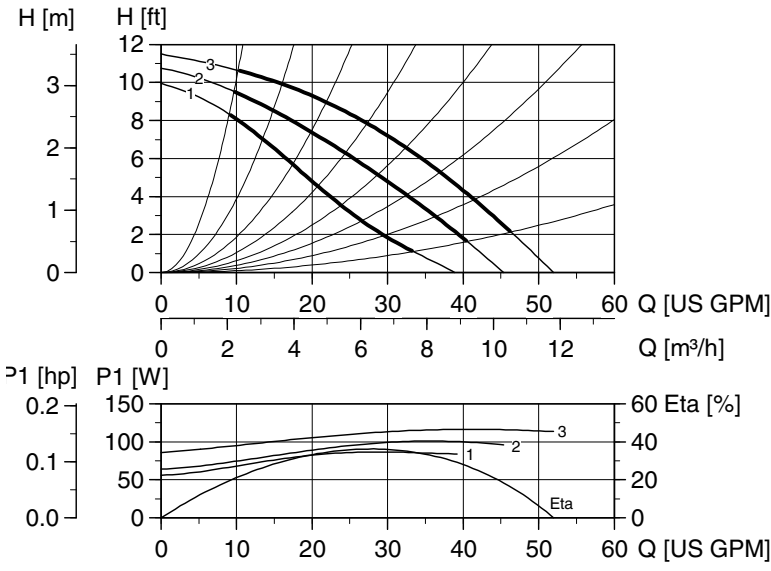
1. Because of the danger of overheating, the pumps must not be used at a flow below 0.1 x Q at best efficiency point.
2. The bold parts of the curves show the **recommended** performance range.
3. Test liquid: Airless water.
4. The curves apply to a liquid temperature of 68 °F (20 °C).

All curves show average values and **should not be used as guarantee curves**. If a stated minimum performance is required, individual measurements must be made.



## 9. Curve charts and technical data

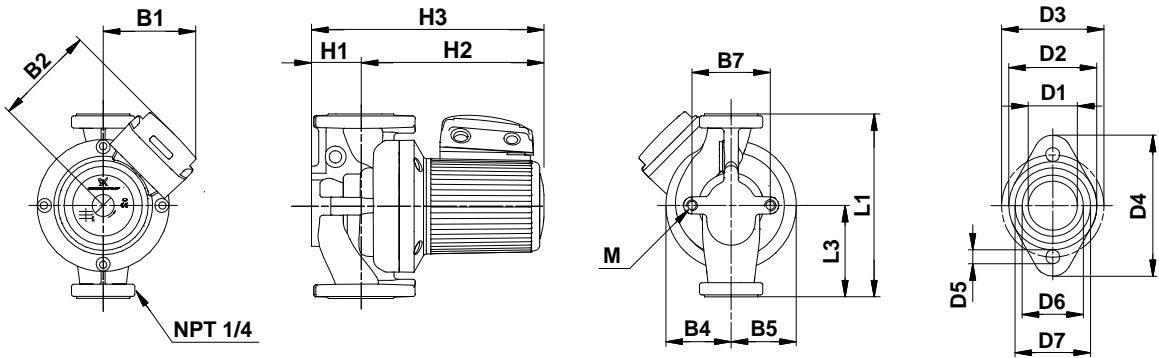
UPS 32-40/4, 1 ph, 115 V, 230 V, 60 Hz



TM00 9510 0697

- Flow range: 9 - 52 gpm
- Head range: 1 - 11 ft
- Motor: 4-pole 0.33 Hp
- Max. liquid temp (Open): +140 °F
- Max. liquid temp.: +248 °F
- Min. liquid temp.: +32 °F
- Max. system pressure: 145 psi
- Net wt: 35.9 lbs (16.3 kg)
- Gross wt.: 43.4 lbs (19.7 kg)
- Shipping volume: 1.70 ft³ (0.048 m³)
- Net wt. bronze: 39.2 lbs (17.8 kg)
- Gross wt. bronze: 46.7 lbs (21.2 kg)
- Shipping volume bronze: 1.70 ft³ (0.048 m³)

Note: ETA is calculated as wire-to-water efficiency.



TM02 0729 5100

### Dimensions

Model	L1	L3	B1	B2	B4	B5	B7	H1	H2	H3	D1	D2	D3	D4	D5	D6	D7	M
UPS 32-40/4	[in]	11.00	5.50	5.31	5.56	3.00	3.00	3.19	2.69	9.50	12.24	1.44	2.56	3.14	4.63	1.81	2.25	
	[mm]	279	140	135	141	76	76	81	68	241	311	37	65	80	117	46	57	M12

### Product numbers

Model type	Product number		Voltage [V]
	Cast Iron	Bronze	
UPS 32-40/4 (1 ph)	96402694	96402699	115
	96402695	96402700	230

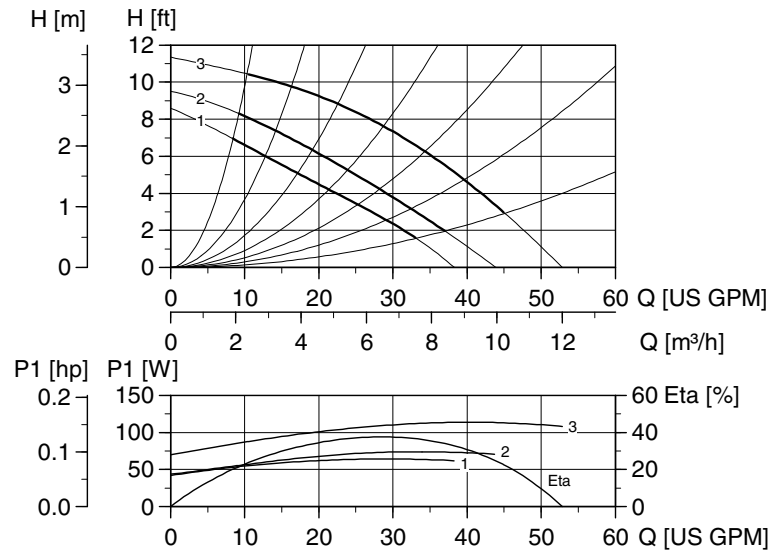
### Connections

Flange size	Flange type
1.25" non ANSI 2 bolt w/ (2) 0.5" dia. holes	GF 15/26

### Electrical data

Speed	Max amps [A]		P Max [Watts]	Start amps [A]	
	115V	230V		115V	230V
3	1.08	0.54	120	2.10	1.00
2	1.04	0.52	100	2.02	0.96
1	0.95	0.47	85	1.85	0.87

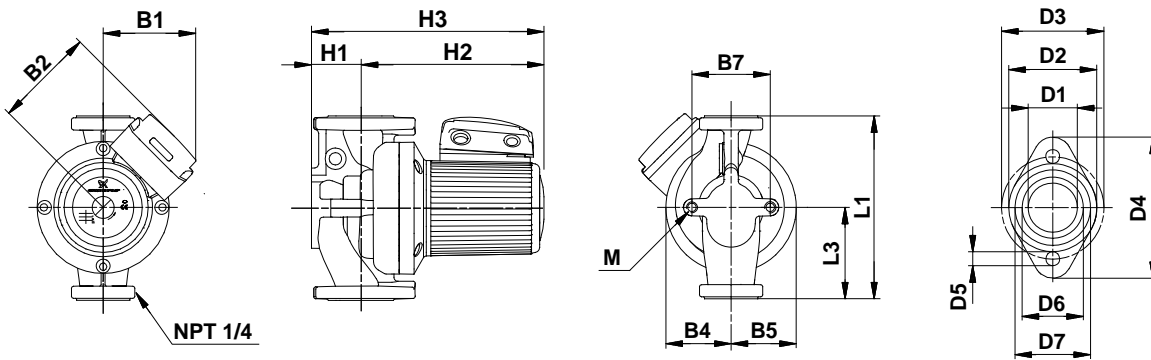
UPS 32-40/4, 3 ph, 208-230 V, 460 V, 575 V★, 60 Hz



- Flow range: 9 - 52 gpm
- Head range: 1 - 11 ft
- Motor: 4-pole 0.33 Hp
- Max. liquid temp (Open): +140 °F
- Max. liquid temp.: +248 °F
- Min. liquid temp.: +32 °F
- Max. system pressure: 145 psi
- Net wt: 35.9 lbs (16.3 kg)
- Gross wt.: 43.4 lbs (19.7 kg)
- Shipping volume: 1.70 ft<sup>3</sup> (0.048 m<sup>3</sup>)
- Net wt. bronze: 39.2 lbs (17.8 kg)
- Gross wt. bronze: 46.7 lbs (21.2 kg)
- Shipping volume bronze: 1.70 ft<sup>3</sup> (0.048 m<sup>3</sup>)

TM03 7904 5106

Note: ETA is calculated as wire-to-water efficiency.



TM02 0729 5100

Dimensions

Model	L1	L3	B1	B2	B4	B5	B7	H1	H2	H3	D1	D2	D3	D4	D5	D6	D7	M
UPS 32-40/4	[in]	11.00	5.50	5.31	5.56	3.00	3.00	3.19	2.69	9.50	12.24	1.44	2.56	3.14	4.63	0.50	1.81	2.25
	[mm]	279	140	135	141	76	76	81	68	241	311	37	65	80	117	13	46	57

Product numbers

Model type	Product number		Voltage [V]
	Cast Iron	Bronze	
UPS 32-40/4 (3 ph)	96402696	96402701	208-230
	96402697	96402702	460
	96402698	96402703	575★

Connections

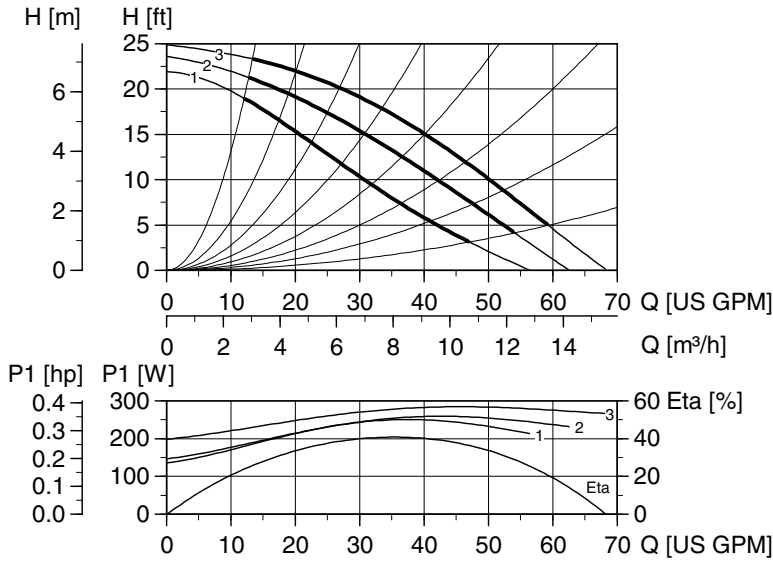
Flange size	Flange type
1.25" non ANSI 2 bolt w/ (2) 0.5" dia. holes	GF 15/26

Electrical data

Speed	Max amps [A]			P Max [Watts]	Start amps [A]		
	208-230V	460V	575V★		208-230V	460V	575V★
3	0.56	0.28	0.22	115	1.60	0.82	0.66
2	0.26	0.13	0.10	75	0.74	0.38	0.30
1	0.24	▲	▲	65	0.69	▲	▲

▲ All 3-phase, 460V and 575V pumps are 2-speed only.  
★ Canada only.

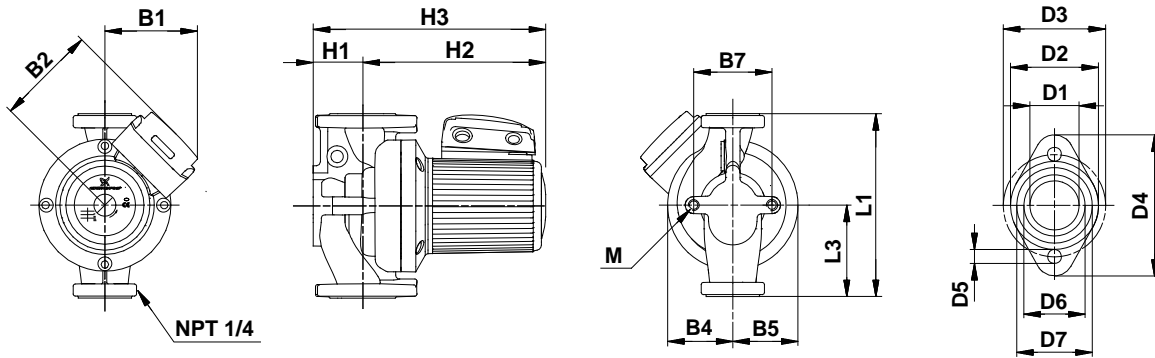
**UPS 32-80/2, 1 ph, 115 V, 230 V, 60 Hz**



TM00 9511 0697

- Flow range: 9 - 67 gpm
- Head range: 1 - 25 ft
- Motor: 2-pole 0.50 Hp
- Max. liquid temp (Open): +140 °F
- Max. liquid temp.: +248 °F
- Min. liquid temp.: +32 °F
- Max. system pressure: 145 psi
- Net wt: 35.9 lbs (16.3 kg)
- Gross wt.: 41.1 lbs (20 kg)
- Shipping volume: 1.70 ft<sup>3</sup> (0.048 m<sup>3</sup>)
- Net wt. bronze: 39.2 lbs (17.8 kg)
- Gross wt. bronze: 47.4 lbs (21.5 kg)
- Shipping volume bronze: 1.70 ft<sup>3</sup> (0.048 m<sup>3</sup>)

**Note:** ETA is calculated as wire-to-water efficiency.



TM02 0729 5100

**Dimensions**

Model	L1	L3	B1	B2	B4	B5	B7	H1	H2	H3	D1	D2	D3	D4	D5	D6	D7	M
UPS 32-80/2	[in]	11.00	5.50	5.31	5.56	3.00	3.00	3.19	2.69	9.50	12.12	1.44	2.56	3.14	4.63	0.50	1.81	2.25
	[mm]	279	140	135	141	76	76	81	68	241	308	37	65	80	117	13	46	57

**Product numbers**

Model type	Product number		Voltage [V]
	Cast Iron	Bronze	
UPS 32-80/2 (1 ph)	96402708	96402713	115
	96402709	96402714	230

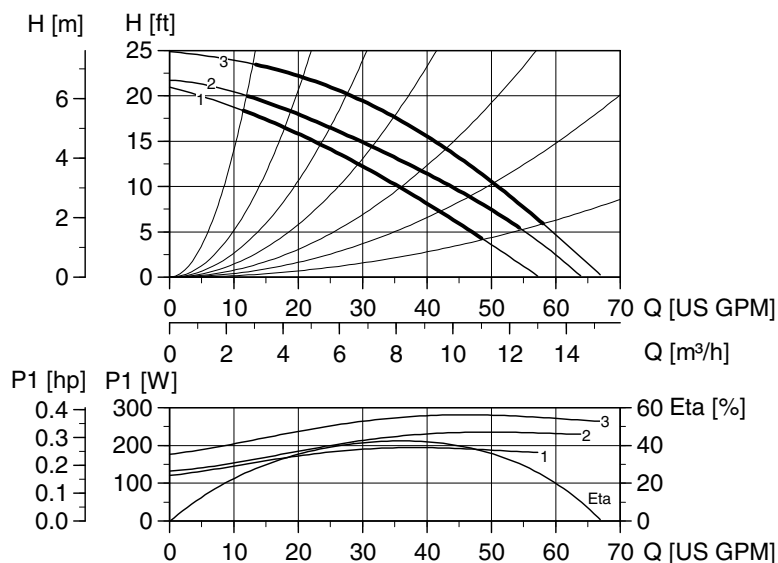
**Connections**

Flange size	Flange type
1.25" non ANSI 2 bolt w/ (2) 0.5" dia. holes	GF 15/26

**Electrical data**

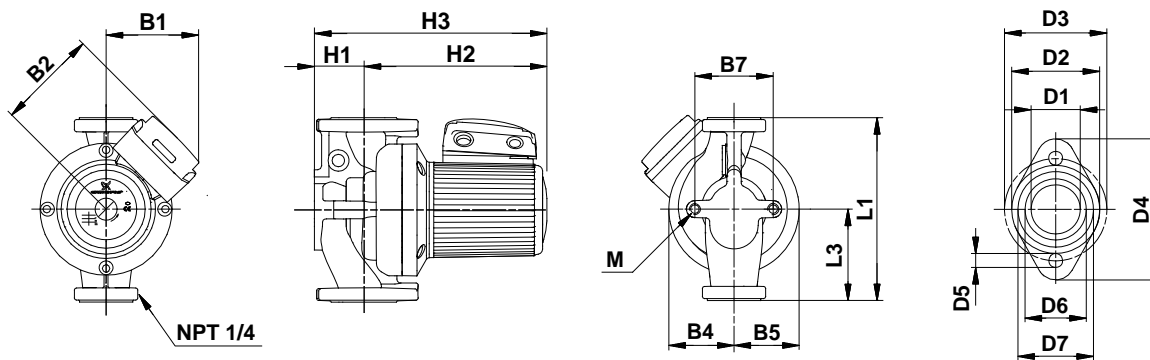
Speed	Max amps [A]		P Max [Watts]	Start amps [A]	
	115V	230V		115V	230V
3	2.66	1.34	280	7.10	3.80
2	2.50	1.26	260	6.67	3.29
1	2.50	1.26	250	6.67	3.29

UPS 32-80/2, 3 ph, 208-230 V, 460 V, 575 V★, 60 Hz



TM00 9494 0697

Note: ETA is calculated as wire-to-water efficiency.



TM02 0729 5100

Dimensions

Model	L1	L3	B1	B2	B4	B5	B7	H1	H2	H3	D1	D2	D3	D4	D5	D6	D7	M
UPS 32-80/2	[in]	11.00	5.50	5.31	5.56	3.00	3.00	3.19	2.69	9.50	12.12	1.44	2.56	3.14	4.63	0.50	1.81	2.25
	[mm]	279	140	135	141	76	76	81	68	241	308	37	65	80	117	13	46	57

Product numbers

Model type	Product number		Voltage [V]
	Cast Iron	Bronze	
UPS 32-80/2 (3 ph)	96402710	96402715	208-230
	96402711	96402716	460
	96402712	96402717	575★

Connections

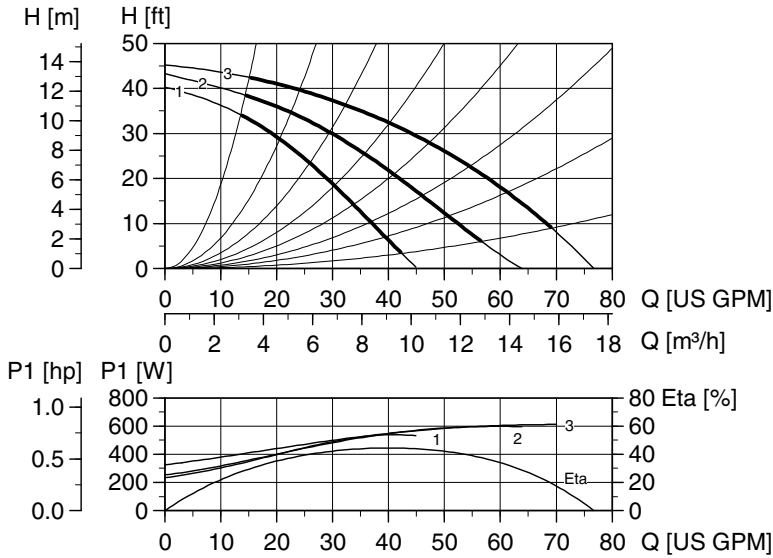
Flange size	Flange type
1.25" non ANSI 2 bolt w/ (2) 0.5" dia. holes	GF 15/26

Electrical data

Speed	Max amps [A]			P Max [Watts]	Start amps [A]		
	208-230V	460V	575V★		208-230V	460V	575V★
3	1.10	0.55	0.44	280	5.00	2.80	2.20
2	0.72	0.36	0.29	235	3.93	1.96	1.60
1	0.58	▲	▲	195	3.16	▲	▲

▲ All 3-phase, 460V and 575V pumps are 2-speed only.  
★ Canada only.

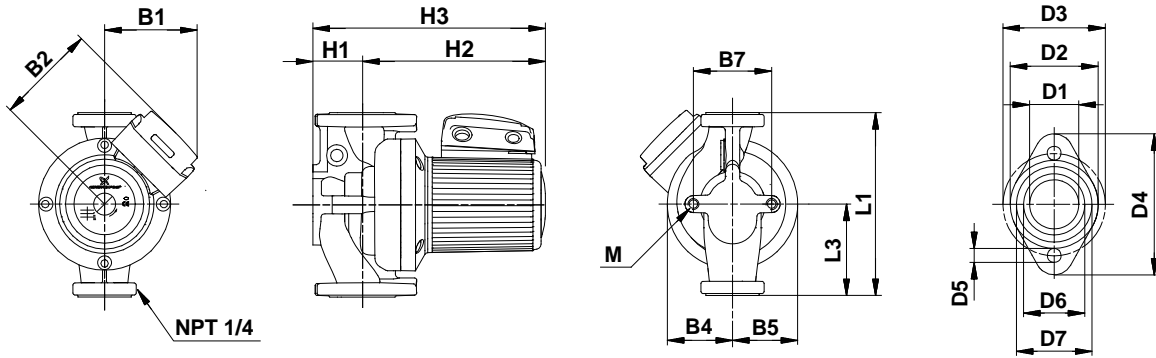
**UPS 32-160/2, 1 ph, 115 V, 230 V, 60 Hz**



TTM00 9512 0697

- Flow range: 9 - 76 gpm
- Head range: 1 - 45 ft
- Motor: 2-pole 0.75 Hp
- Max. liquid temp (Open): +140 °F
- Max. liquid temp.: +248 °F
- Min. liquid temp.: +32 °F
- Max. system pressure: 145 psi
- Net wt: 37.0 lbs (16.8 kg)
- Gross wt.: 45.2 lbs (20.5 kg)
- Shipping volume: 1.70 ft<sup>3</sup> (0.048 m<sup>3</sup>)
- Net wt. bronze: 37.7 lbs (17.1 kg)
- Gross wt. bronze: 45.9 lbs (20.8 kg)
- Shipping volume bronze: 1.70 ft<sup>3</sup> (0.048 m<sup>3</sup>)

Note: ETA is calculated as wire-to-water efficiency.



TM02 0729 5100

**Dimensions**

Model	L1	L3	B1	B2	B4	B5	B7	H1	H2	H3	D1	D2	D3	D4	D5	D6	D7	M	
UPS 32-160/2	[in]	13.50	5.50	5.31	5.56	3.00	3.00	3.19	2.69	9.50	12.16	1.44	2.50	3.42	4.63	0.50	2.06	2.56	
	[mm]	343	140	135	141	76	76	81	68	241	309	37	64	87	117	13	52	65	M12

**Product numbers**

Model type	Product number		Voltage [V]
	Cast Iron	Bronze	
UPS 32-160/2 (1 ph)	96402730	96402739	115
	96402733	96402740	230

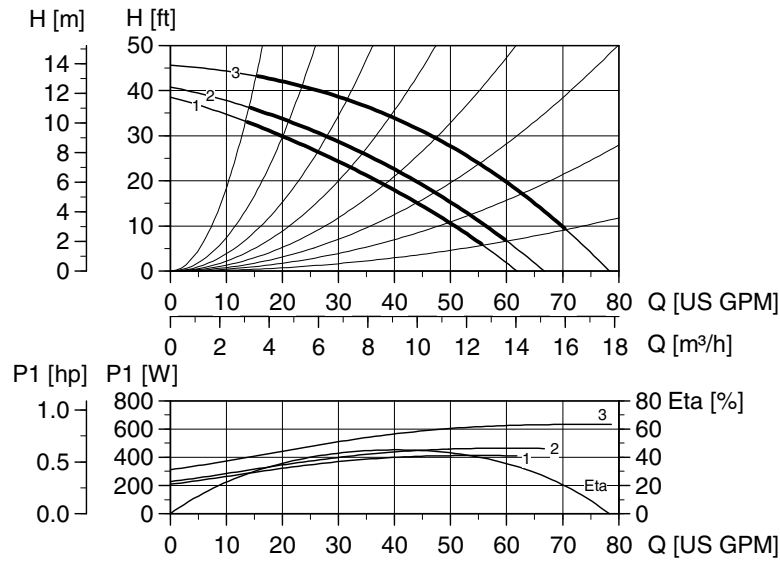
**Connections**

Flange size	Flange type
1.5" non ANSI 2 bolt w/ (2) 0.5" dia. holes	GF 40/43

**Electrical data**

Speed	Max amps [A]		P Max [Watts]	Start amps [A]	
	115V	230V		115V	230V
3	5.80	2.90	625	14.60	6.70
2	5.80	2.90	600	14.60	6.70
1	5.50	2.75	555	13.84	6.35

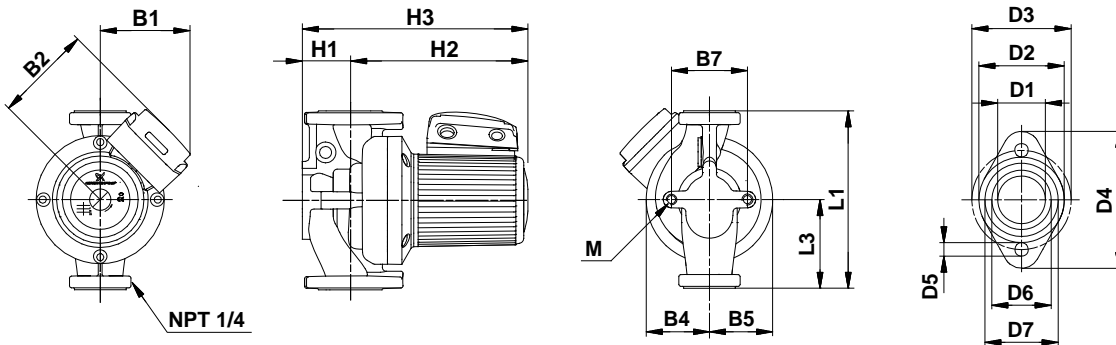
UPS 32-160/2, 3 ph, 208-230 V, 460 V, 575 V★, 60 Hz



Flow range:	9 - 76 gpm
Head range:	1 - 45 ft
Motor:	2-pole 0.75 Hp
Max. liquid temp (Open):	+140 °F
Max. liquid temp.:	+248 °F
Min. liquid temp.:	+32 °F
Max. system pressure:	145 psi
Net wt:	36.8 lbs (16.7 kg)
Gross wt.:	44.8 lbs (20.3 kg)
Shipping volume:	1.70 ft <sup>3</sup> (0.048 m <sup>3</sup> )
Net wt. bronze:	41.2 lbs (18.7 kg)
Gross wt. bronze:	49.4 lbs (22.4 kg)
Shipping volume bronze:	1.70 ft <sup>3</sup> (0.048 m <sup>3</sup> )

TM00 9495 0697

Note: ETA is calculated as wire-to-water efficiency.



TM02 0729 5100

Dimensions

Model	L1	L3	B1	B2	B4	B5	B7	H1	H2	H3	D1	D2	D3	D4	D5	D6	D7	M	
UPS 32-160/2	[in]	13.50	5.50	5.31	5.56	3.00	3.00	3.19	2.69	9.50	12.16	1.44	2.50	3.42	4.63	0.50	2.06	2.56	
	[mm]	343	140	135	141	76	76	81	68	241	309	37	64	87	117	13	52	65	M12

Product numbers

Model type	Product number		Voltage [V]
	Cast Iron	Bronze	
UPS 32-160/2 (3 ph)	96402736	96402741	208-230
	96402737	96402742	460
	96402738	96402743	575★

Connections

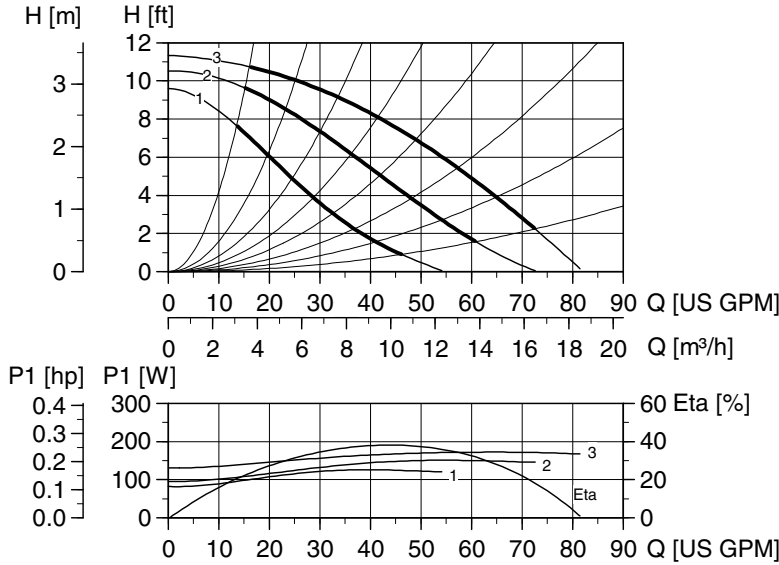
Flange size	Flange type
1.5" non ANSI 2 bolt w/ (2) 0.5" dia. holes	GF 40/43

Electrical data

Speed	Max amps [A]			P Max [Watts]	Start amps [A]		
	208-230V	460V	575V★		208-230V	460V	575V★
3	1.96	0.98	0.78	600	9.30	4.70	3.76
2	1.25	0.63	0.50	430	5.93	3.02	2.40
1	1.12	▲	▲	380	5.31	▲	▲

▲ All 3-phase, 460V and 575V pumps are 2-speed only.  
★ Canada only.

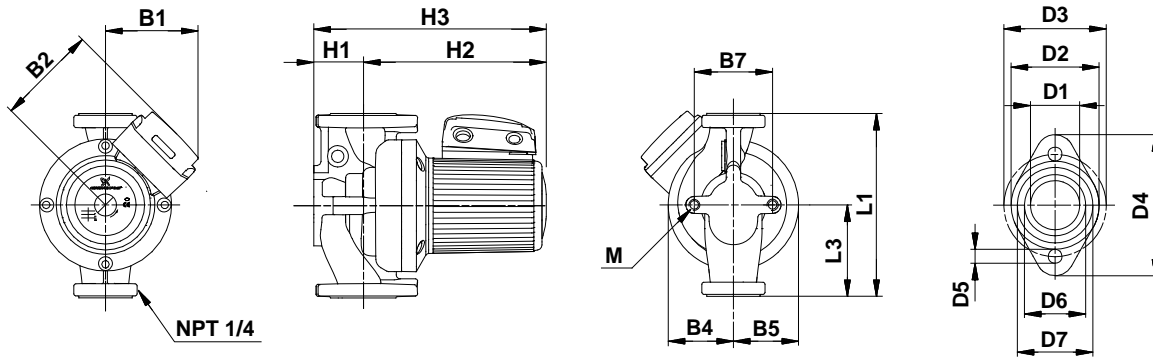
**UPS 40-40/4, 1 ph, 115 V, 230 V, 60 Hz**



- Flow range: 13 - 85 gpm
- Head range: 1 - 11 ft
- Motor: 4-pole 0.33 Hp
- Max. liquid temp (Open): +140 °F
- Max. liquid temp.: +248 °F
- Min. liquid temp.: +32 °F
- Max. system pressure: 145 psi
- Net wt: 37.9 lbs (17.2 kg)
- Gross wt.: 46.1 lbs (20.9 kg)
- Shipping volume: 1.70 ft³ (0.048 m³)
- Net wt. bronze: 42.3 lbs (19.2 kg)
- Gross wt. bronze: 50.5 lbs (22.9 kg)
- Shipping volume bronze: 1.70 ft³ (0.048 m³)

TM00 9513 0697

**Note:** ETA is calculated as wire-to-water efficiency.



TM02 0729 5100

**Dimensions**

Model	L1	L3	B1	B2	B4	B5	B7	H1	H2	H3	D1	D2	D3	D4	D5	D6	D7	M	
UPS 40-40/4	[in]	13.50	6.75	5.31	5.56	3.00	3.00	4.75	2.69	9.69	12.40	1.63	2.88	3.42	5.00	0.50	2.06	2.56	
	[mm]	343	171	135	141	76	76	121	68	246	315	41	73	87	127	13	52	65	M12

**Product numbers**

Model type	Product number		Voltage [V]
	Cast Iron	Bronze	
UPS 40-40/4 (1 ph)	96402748	96402753	115
	96402749	96402754	230

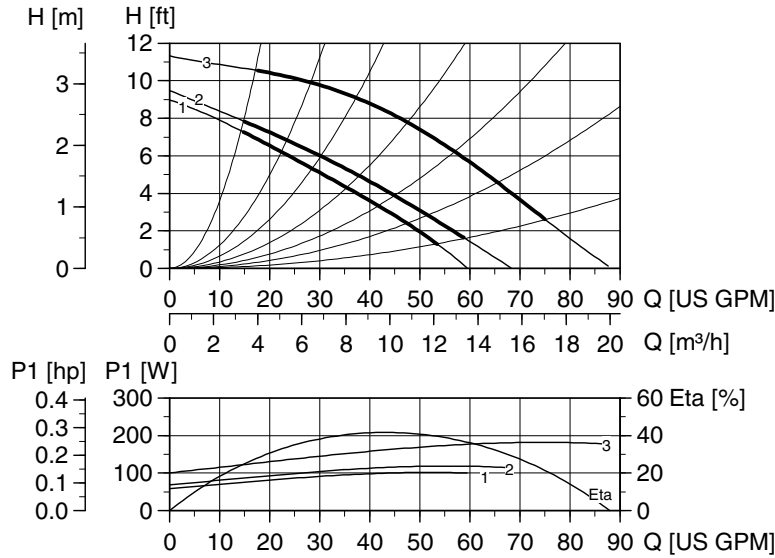
**Connections**

Flange size	Flange type
1.50" non ANSI 2 bolt w/ (2) 0.5" dia. holes	GF 40/43

**Electrical data**

Speed	Max amps [A]		P Max [Watts]	Start amps [A]	
	115V	230V		115V	230V
3	1.60	0.80	170	3.10	1.50
2	1.48	0.74	150	2.87	1.39
1	1.34	0.66	125	2.60	1.24

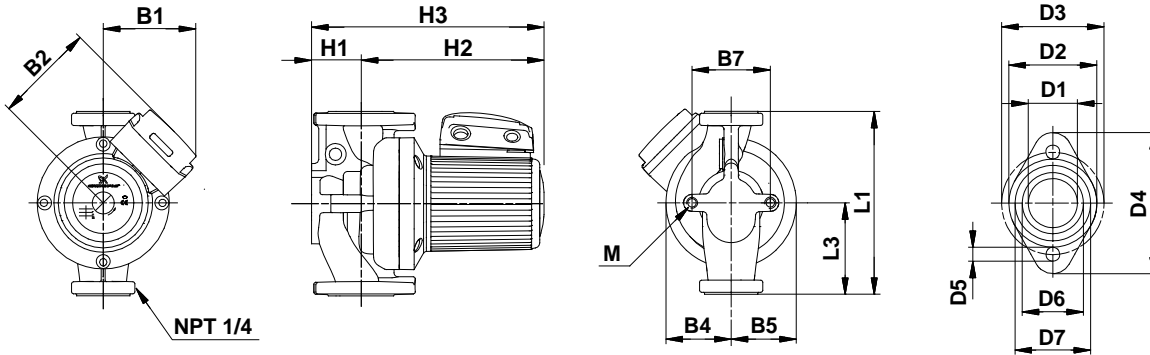
UPS 40-40/4, 3 ph, 208-230 V, 460 V, 575 V★, 60 Hz



- Flow range: 13 - 85 gpm
- Head range: 1 - 11 ft
- Motor: 4-pole 0.33 Hp
- Max. liquid temp (Open): +140 °F
- Max. liquid temp.: +248 °F
- Min. liquid temp.: +32 °F
- Max. system pressure: 145 psi
- Net wt: 37.7 lbs (17.1 kg)
- Gross wt.: 45.9 lbs (20.8 kg)
- Shipping volume: 1.70 ft³ (0.048 m³)
- Net wt. bronze: 42.1 lbs (19.1 kg)
- Gross wt. bronze: 50.3 lbs (22.8 kg)
- Shipping volume bronze: 1.70 ft³ (0.048 m³)

TM00 9496 0697

Note: ETA is calculated as wire-to-water efficiency.



TM02 0729 5100

Dimensions

Model	L1	L3	B1	B2	B4	B5	B7	H1	H2	H3	D1	D2	D3	D4	D5	D6	D7	M	
UPS 40-40/4	[in]	13.50	6.75	5.31	5.56	3.00	3.00	4.75	2.69	9.69	12.40	1.63	2.88	3.42	5.00	0.50	2.06	2.56	
	[mm]	343	171	135	141	76	76	121	68	246	315	41	73	87	127	13	52	65	M12

Product numbers

Model type	Product number		Voltage [V]
	Cast Iron	Bronze	
UPS 40-40/4 (3 ph)	96402750	96402755	208-230
	96402751	96402756	460
	96402752	96402757	575★

Connections

Flange size	Flange type
1.5" non ANSI 2 bolt w/ (2) 0.5" dia. holes	GF 40/43

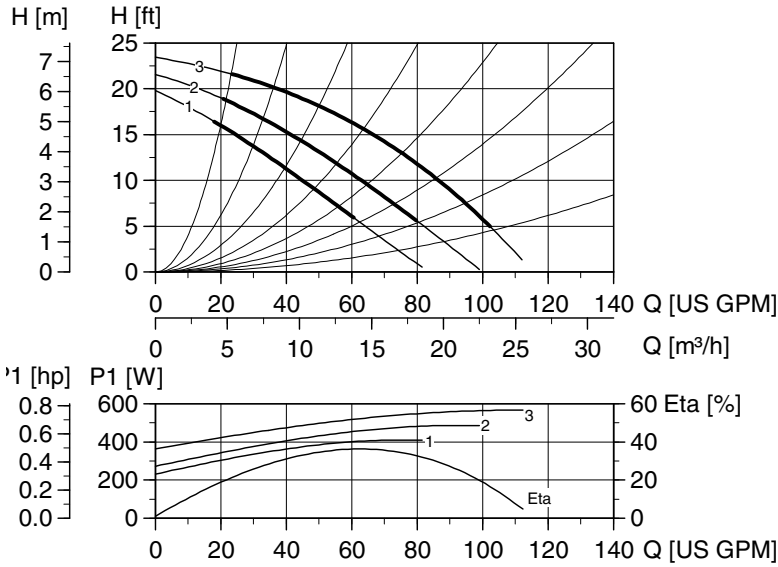
Electrical data

Speed	Max amps [A]			P Max [Watts]	Start amps [A]		
	208-230V	460V	575V★		208-230V	460V	575V★
3	0.88	0.44	0.33	260	2.50	1.30	1.04
2	0.42	0.21	0.17	120	1.19	0.62	0.50
1	0.36	▲	▲	100	1.02	▲	▲

▲ All 3-phase, 460V and 575V pumps are 2-speed only.  
★ Canada only.



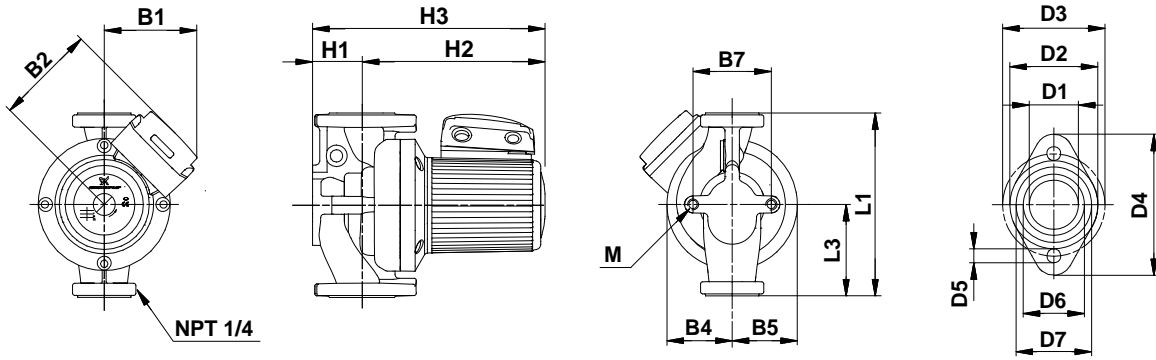
**UPS 40-80/4, 1 ph, 115 V, 230 V, 60 Hz**



TM00 9514 2297

- Flow range: 13 - 120 gpm
- Head range: 1 - 25 ft
- Motor: 4-pole 0.50 Hp
- Max. liquid temp (Open): +140 °F
- Max. liquid temp.: +248 °F
- Min. liquid temp.: +32 °F
- Max. system pressure: 145 psi
- Net wt: 57.8 lbs (26.2 kg)
- Gross wt.: 70.1 lbs (31.8 kg)
- Shipping volume: 2.90 ft³ (0.082 m³)
- Net wt. bronze: 62.2 lbs (28.2 kg)
- Gross wt. bronze: 74.5 lbs (33.8 kg)
- Shipping volume bronze: 2.90 ft³ (0.082 m³)

Note: ETA is calculated as wire-to-water efficiency.



TM02 0729 5100

**Dimensions**

Model	L1	L3	B1	B2	B4	B5	B7	H1	H2	H3	D1	D2	D3	D4	D5	D6	D7	M	
UPS 40-80/4	[in]	13.50	6.75	5.75	6.68	3.94	3.94	4.75	3.00	9.00	12.01	1.69	2.88	3.42	5.00	0.50	2.06	2.56	
	[mm]	343	171	146	170	100	100	121	76	229	305	43	73	87	127	13	52	65	M12

**Product numbers**

Model type	Product number		Voltage [V]
	Cast Iron	Bronze	
UPS 40-80/4	96404948	96404953	115
(1 ph)	96404949	96404954	230

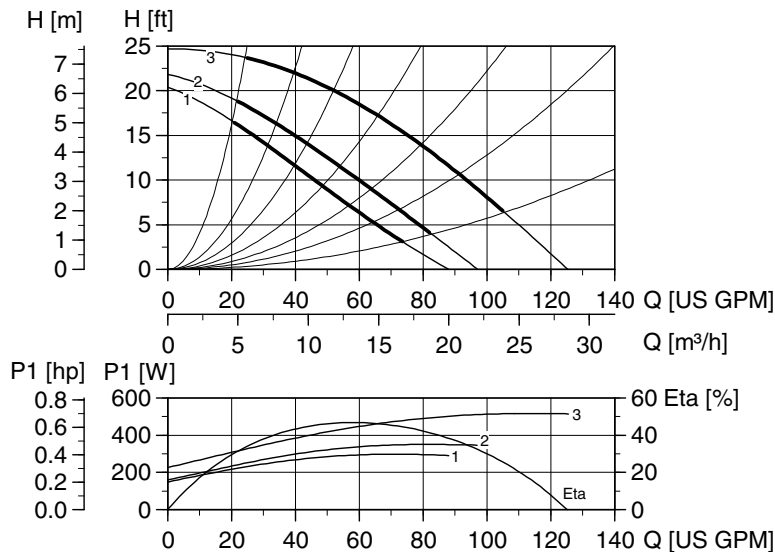
**Connections**

Flange size	Flange type
1.50" non ANSI 2 bolt w/ (2) 1/2" dia. holes	GF 40/43

**Electrical data**

Speed	Max amps [A]		P Max [Watts]	Start amps [A]	
	115V	230V		115V	230V
3	5.50	2.75	565	9.50	4.70
2	5.15	2.60	485	8.90	4.44
1	4.30	2.15	410	7.43	3.67

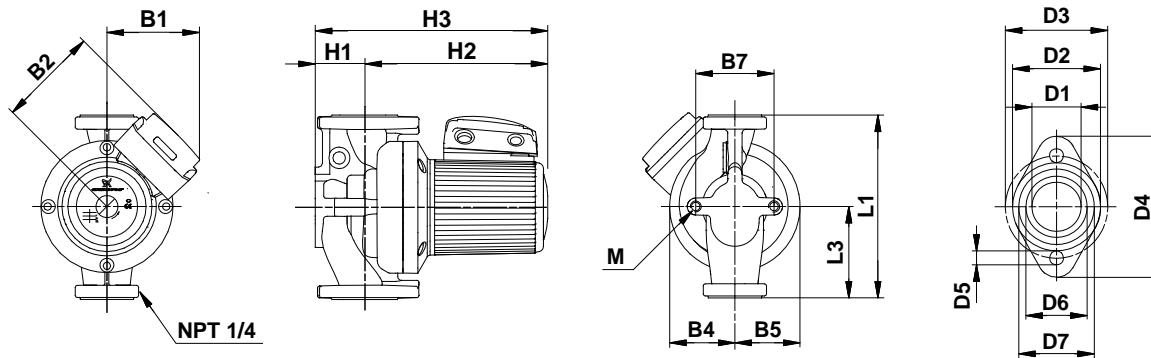
UPS 40-80/4, 3 ph, 208-230 V, 460 V, 575 V★, 60 Hz



TM00 9498 0307

- Flow range: 13 - 120 gpm
- Head range: 1 - 25 ft
- Motor: 4-pole 0.50 Hp
- Max. liquid temp (Open): +140 °F
- Max. liquid temp.: +248 °F
- Min. liquid temp.: +32 °F
- Max. system pressure: 145 psi
- Net wt: 47.6 lbs (21.6 kg)
- Gross wt.: 60.0 lbs (27.2 kg)
- Shipping volume: 2.90 ft<sup>3</sup> (0.082 m<sup>3</sup>)
- Net wt. bronze: 52.0 lbs (23.6 kg)
- Gross wt. bronze: 64.4 lbs (29.2 kg)
- Shipping volume bronze: 2.90 ft<sup>3</sup> (0.082 m<sup>3</sup>)

Note: ETA is calculated as wire-to-water efficiency.



TM02 0729 5100

Dimensions

Model	L1	L3	B1	B2	B4	B5	B7	H1	H2	H3	D1	D2	D3	D4	D5	D6	D7	M	
UPS 40-80/4	[in]	13.50	6.75	5.75	6.68	3.94	3.94	4.75	3.00	9.00	12.01	1.69	2.88	3.42	5.00	0.50	2.06	2.56	
	[mm]	343	171	146	170	100	100	121	76	229	305	43	73	87	127	13	52	65	M12

Product numbers

Model type	Product number		Voltage [V]
	Cast Iron	Bronze	
UPS 40-80/4 (3 ph)	96402750	96402755	208-230
	96402751	96402756	460
	96402752	96402757	575★

Connections

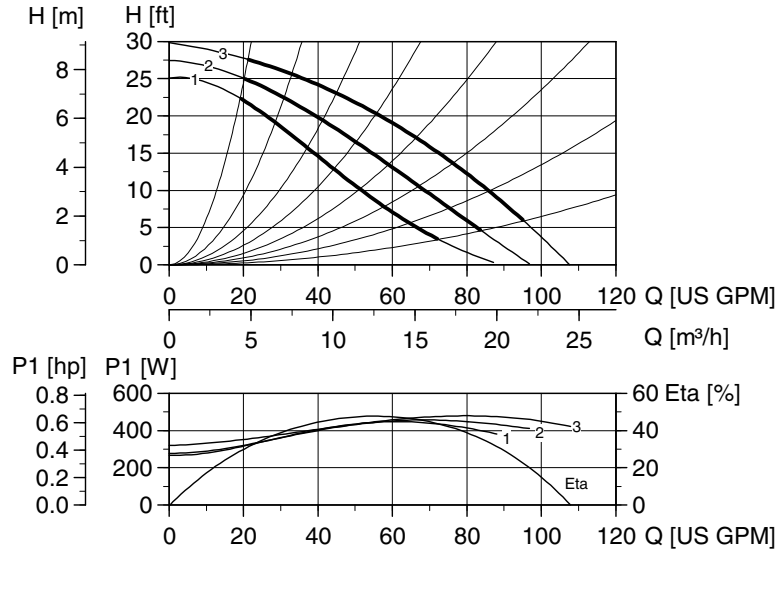
Flange size	Flange type
1.5" non ANSI 2 bolt w/ (2) 0.5" dia. holes	GF 40/43

Electrical data

Speed	Max amps [A]			P Max [Watts]	Start amps [A]		
	208-230V	460V	575V★		208-230V	460V	575V★
3	1.98	0.99	0.78	550	7.10	4.70	3.76
2	1.20	0.60	0.48	370	4.30	4.44	3.55
1	1.00	▲	▲	305	3.59	▲	▲

▲ All 3-phase, 460V and 575V pumps are 2-speed only.  
★ Canada only.

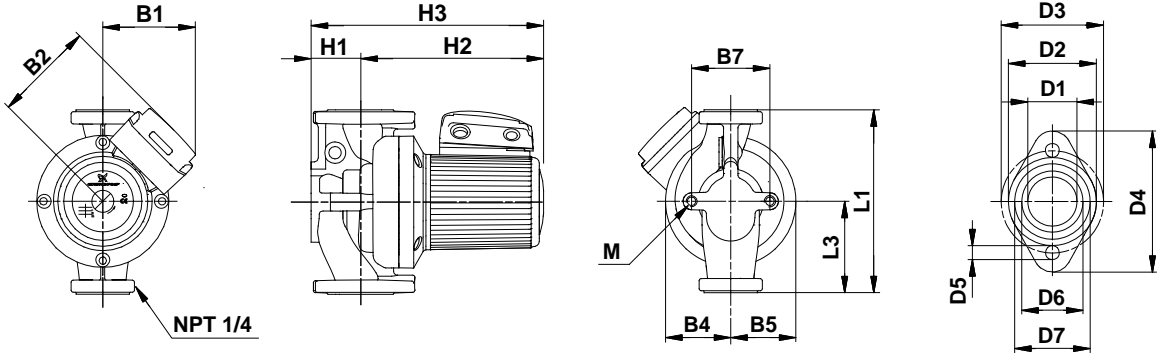
**UPS 40-80/2, 1 ph, 115 V, 230 V, 60 Hz**



TM00 9515 0307

- Flow range: 13 - 105 gpm
- Head range: 1 - 30 ft
- Motor: 2-pole 0.75 Hp
- Max. liquid temp (Open): +140 °F
- Max. liquid temp.: +248 °F
- Min. liquid temp.: +32 °F
- Max. system pressure: 145 psi
- Net wt: 38.4 lbs (17.4 kg)
- Gross wt.: 46.5 lbs (21.1 kg)
- Shipping volume: 1.70 ft³ (0.048 m³)
- Net wt. bronze: 42.8 lbs (19.4 kg)
- Gross wt. bronze: 50.9 lbs (23.1 kg)
- Shipping volume bronze: 1.70 ft³ (0.048 m³)

Note: ETA is calculated as wire-to-water efficiency.



TM02 0729 5100

**Dimensions**

Model	L1	L3	B1	B2	B4	B5	B7	H1	H2	H3	D1	D2	D3	D4	D5	D6	D7	M
UPS 40-80/2	[in]	13.50	6.75	5.31	5.56	3.00	3.00	3.13	2.69	9.63	12.36	1.69	2.88	3.42	5.00	0.50	2.06	2.56
	[mm]	343	171	135	141	76	76	79	68	244	314	43	73	87	127	13	52	65

**Product numbers**

Model type	Product number		Voltage [V]
	Cast Iron	Bronze	
UPS 40-80/2 (1 ph)	96402762	96402767	115
	96402763	96402768	230

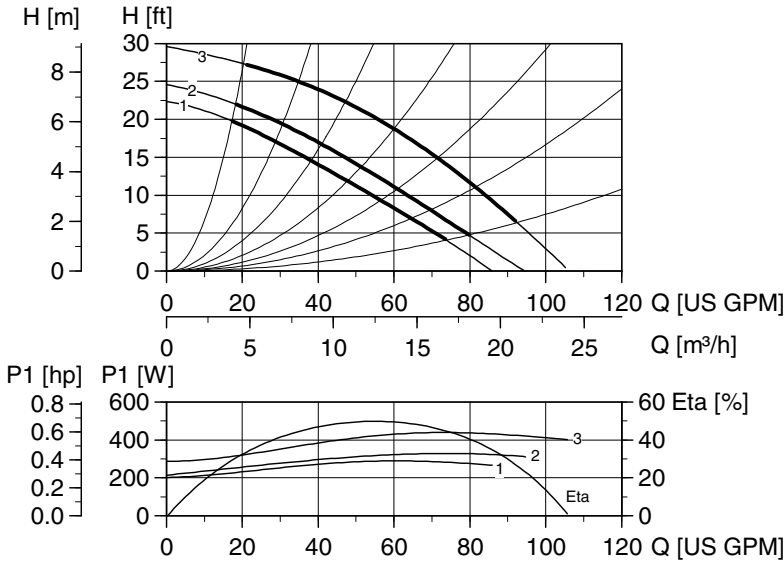
**Connections**

Flange size	Flange type
1.5" non ANSI 2 bolt w/ (2) 0.5" dia. holes	GF 40/43

**Electrical data**

Speed	Max amps [A]		P Max [Watts]	Start amps [A]	
	115V	230V		115V	230V
3	4.45	2.24	480	11.00	5.60
2	4.40	2.20	450	10.88	5.50
1	4.40	2.18	440	10.88	5.45

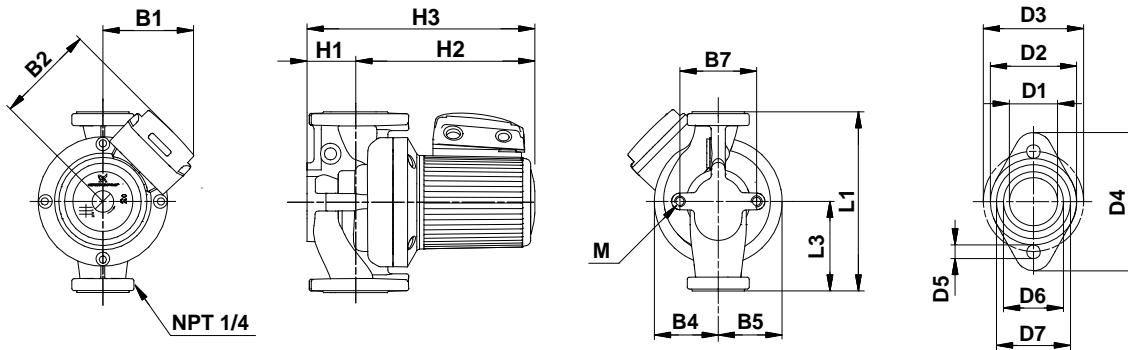
UPS 40-80/2, 3 ph, 208-230 V, 460 V, 575 V★, 60 Hz



Flow range:	13 - 105 gpm
Head range:	1 - 30 ft
Motor:	2-pole 0.75 Hp
Max. liquid temp (Open):	+140 °F
Max. liquid temp.:	+248 °F
Min. liquid temp.:	+32 °F
Max. system pressure:	145 psi
Net wt:	38.4 lbs (17.4 kg)
Gross wt.:	46.5 lbs (21.1 kg)
Shipping volume:	1.70 ft <sup>3</sup> (0.048 m <sup>3</sup> )
Net wt. bronze:	42.8 lbs (19.4 kg)
Gross wt. bronze:	50.9 lbs (23.1 kg)
Shipping volume bronze:	1.70 ft <sup>3</sup> (0.048 m <sup>3</sup> )

TM00 9497 0697

Note: ETA is calculated as wire-to-water efficiency.



TM02 0729 5100

Dimensions

Model	L1	L3	B1	B2	B4	B5	B7	H1	H2	H3	D1	D2	D3	D4	D5	D6	D7	M	
UPS 40-80/2	[in]	13.50	6.75	5.31	5.56	3.00	3.00	3.13	2.69	9.63	12.36	1.69	2.88	3.42	5.00	0.50	2.06	2.56	
	[mm]	343	171	135	141	76	76	79	68	244	314	43	73	87	127	13	52	65	M12

Product numbers

Model type	Product number		Voltage [V]
	Cast Iron	Bronze	
UPS 40-80/2 (3 ph)	96402764	96402769	208-230
	96402765	96402770	460
	96402766	96402771	575★

Connections

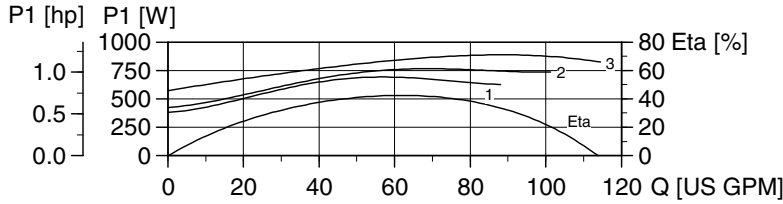
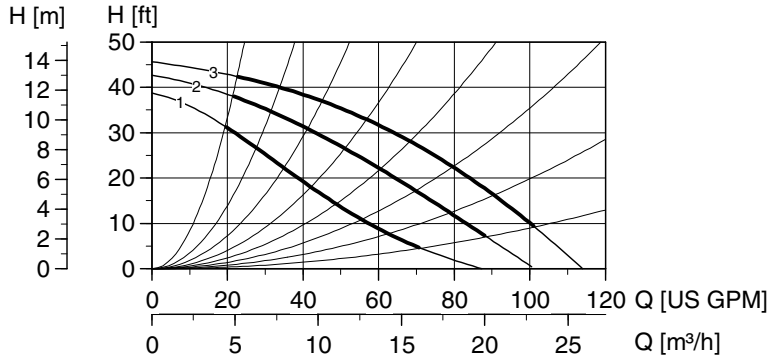
Flange size	Flange type
1.5" non ANSI 2 bolt w/ (2) 0.5" dia. holes	GF 40/43

Electrical data

Speed	Max amps [A]			P Max [Watts]	Start amps [A]		
	208-230V	460V	575V★		208-230V	460V	575V★
3	1.45	0.73	0.58	440	7.40	3.70	2.96
2	0.94	0.47	0.38	320	4.80	2.38	1.90
1	0.86	▲	▲	290	4.39	▲	▲

▲ All 3-phase, 460V and 575V pumps are 2-speed only.  
★ Canada only.

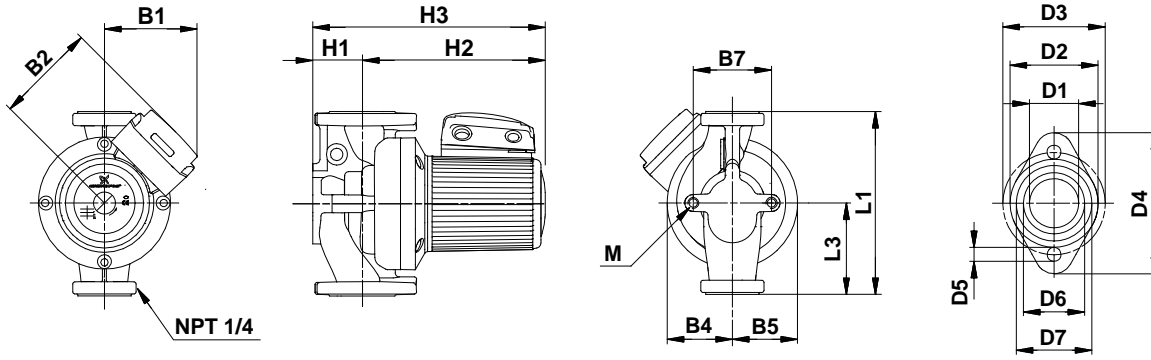
**UPS 40-160/2, 1 ph, 115 V, 230 V, 60 Hz**



TM00 9516 0307

- Flow range: 13 - 110 gpm
- Head range: 1 - 46 ft
- Motor: 2-pole 0.75 Hp
- Max. liquid temp (Open): +140 °F
- Max. liquid temp.: +248 °F
- Min. liquid temp.: +32 °F
- Max. system pressure: 145 psi
- Net wt: 43.2 lbs (19.6 kg)
- Gross wt.: 55.6 lbs (25.2 kg)
- Shipping volume: 2.90 ft<sup>3</sup> (0.082 m<sup>3</sup>)
- Net wt. bronze: 47.6 lbs (21.6 kg)
- Gross wt. bronze: 60 lbs (27.2 kg)
- Shipping volume bronze: 2.90 ft<sup>3</sup> (0.082 m<sup>3</sup>)

**Note:** ETA is calculated as wire-to-water efficiency.



TM02 0729 5100

**Dimensions**

Model	L1	L3	B1	B2	B4	B5	B7	H1	H2	H3	D1	D2	D3	D4	D5	D6	D7	M
UPS 40-160/2	[in]	11.50	5.75	5.75	6.68	3.94	3.94	3.19	2.31	9.00	11.69	1.69	2.88	3.42	5.00	0.50	2.06	2.56
	[mm]	292	146	146	170	100	100	81	59	229	297	43	73	87	127	13	52	65

**Product numbers**

Model type	Product number		Voltage [V]
	Cast Iron	Bronze	
UPS 40-160/2 (1 ph)	96402782	96402787	115
	96402783	96402788	230

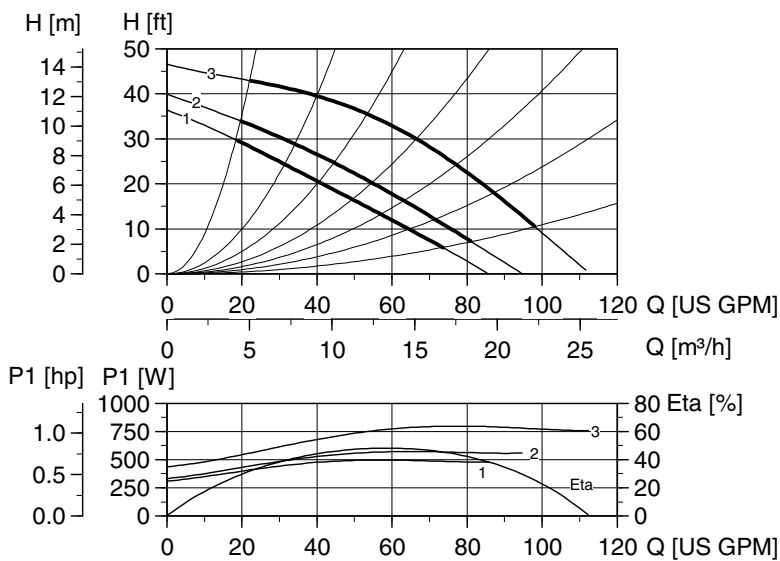
**Connections**

Flange size	Flange type
1.5" non ANSI 2 bolt w/ (2) 0.5" dia. holes	GF 40/43

**Electrical data**

Speed	Max amps [A]		P Max [Watts]	Start amps [A]	
	115V	230V		115V	230V
3	8.40	4.20	890	18.60	9.30
2	7.45	3.75	760	16.50	8.30
1	6.95	3.45	690	15.39	7.64

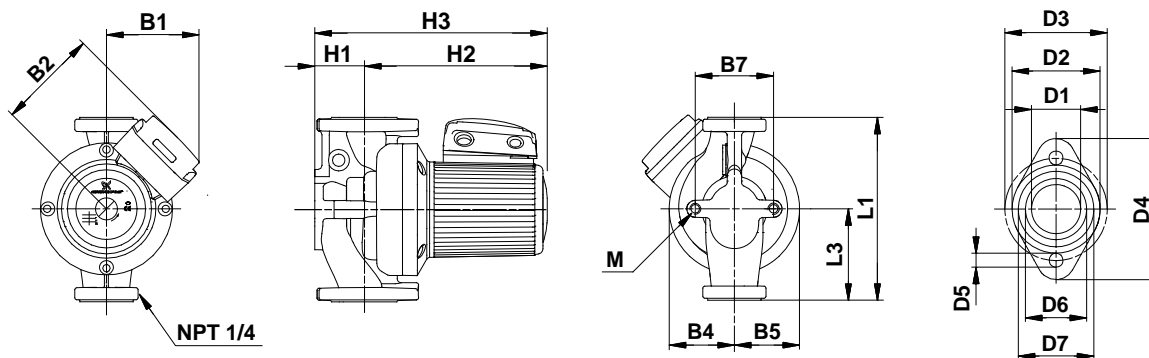
**UPS 40-160/2, 3 ph, 208-230 V, 460 V, 575 V★, 60 Hz**



TM00 9499 0307

- Flow range: 13 - 110 gpm
- Head range: 1 - 46 ft
- Motor: 2-pole 0.75 Hp
- Max. liquid temp (Open): +140 °F
- Max. liquid temp.: +248 °F
- Min. liquid temp.: +32 °F
- Max. system pressure: 145 psi
- Net wt: 43.2 lbs (19.6 kg)
- Gross wt.: 55.6 lbs (25.2 kg)
- Shipping volume: 2.90 ft³ (0.082 m³)
- Net wt. bronze: 47.6 lbs (21.6 kg)
- Gross wt. bronze: 60 lbs (27.2 kg)
- Shipping volume bronze: 2.90 ft³ (0.082 m³)

**Note:** ETA is calculated as wire-to-water efficiency.



TM02 0729 5100

**Dimensions**

Model	L1	L3	B1	B2	B4	B5	B7	H1	H2	H3	D1	D2	D3	D4	D5	D6	D7	M	
UPS 40-160/2	[in]	11.50	5.75	5.75	6.68	3.94	3.94	3.19	2.31	9.00	11.69	1.69	2.88	3.42	5.00	0.50	2.06	2.56	
	[mm]	292	146	146	170	100	100	81	59	229	297	43	73	87	127	13	52	65	M12

**Product numbers**

Model type	Product number		Voltage [V]
	Cast Iron	Bronze	
UPS 40-160/2 (3 ph)	96402784	96402789	208-230
	96402785	96402790	460
	96402786	96402791	575★

**Connections**

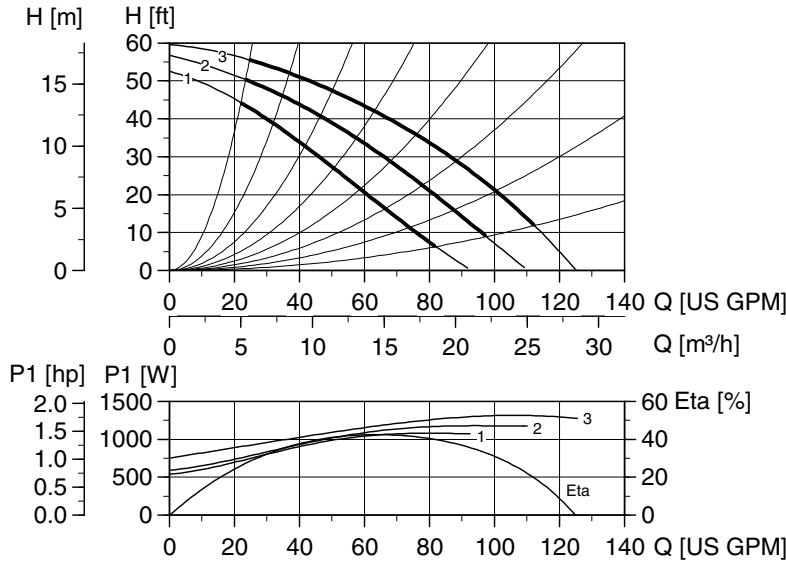
Flange size	Flange type
1.5" non ANSI 2 bolt w/ (2) 0.5" dia. holes	GF 40/43

**Electrical data**

Speed	Max amps [A]			P Max [Watts]	Start amps [A]		
	208-230V	460V	575V★		208-230V	460V	575V★
3	2.50	1.25	1.00	800	12.40	6.20	4.96
2	1.75	0.88	0.70	570	8.68	4.36	3.50
1	1.55	▲	▲	500	7.69	▲	▲

▲ All 3-phase, 460V and 575V pumps are 2-speed only.  
★ Canada only.

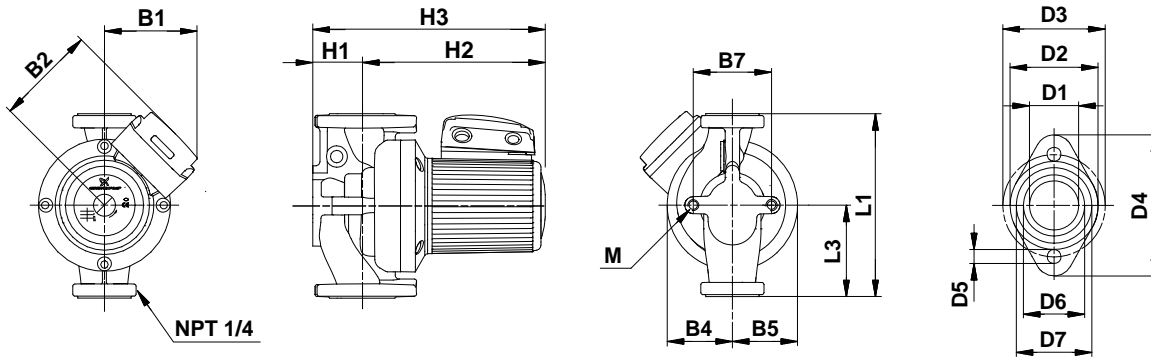
**UPS 40-240/2, 1 ph, 230 V, 60 Hz**



TM00 9517 0307

- Flow range: 13 - 130 gpm
- Head range: 1 - 62 ft
- Motor: 2-pole 1.5 Hp
- Max. liquid temp (Open): +140 °F
- Max. liquid temp.: +248 °F
- Min. liquid temp.: +32 °F
- Max. system pressure: 145 psi
- Net wt: 54.0 lbs (24.5 kg)
- Gross wt.: 66.4 lbs (30.1 kg)
- Shipping volume: 2.90 ft<sup>3</sup> (0.082 m<sup>3</sup>)
- Net wt. bronze: 58.4 lbs (26.5 kg)
- Gross wt. bronze: 70.8 lbs 32.1 kg)
- Shipping volume bronze: 2.90 ft<sup>3</sup> (0.082 m<sup>3</sup>)

**Note:** ETA is calculated as wire-to-water efficiency.



TM02 0729 5100

**Dimensions**

Model	L1	L3	B1	B2	B4	B5	B7	H1	H2	H3	D1	D2	D3	D4	D5	D6	D7	M	
UPS 40-240/2	[in]	13.50	3.75	5.75	6.68	4.00	4.00	3.19	2.69	11.06	13.96	1.69	2.88	3.42	5.00	0.50	2.06	2.56	
	[mm]	343	95	146	170	102	102	81	68	281	355	43	73	87	127	13	52	65	M12

**Product numbers**

Model type	Product number		Voltage [V]
	Cast Iron	Bronze	
UPS 40-240/2 (1 ph)	96402797	96402804	230

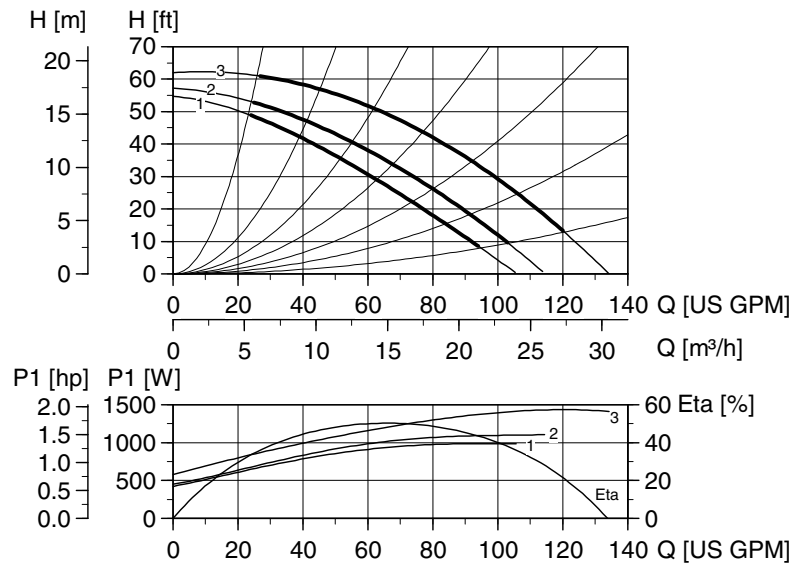
**Connections**

Flange size	Flange type
1.5" non ANSI 2 bolt w/ (2) 0.5" dia. holes	GF 40/43

**Electrical data**

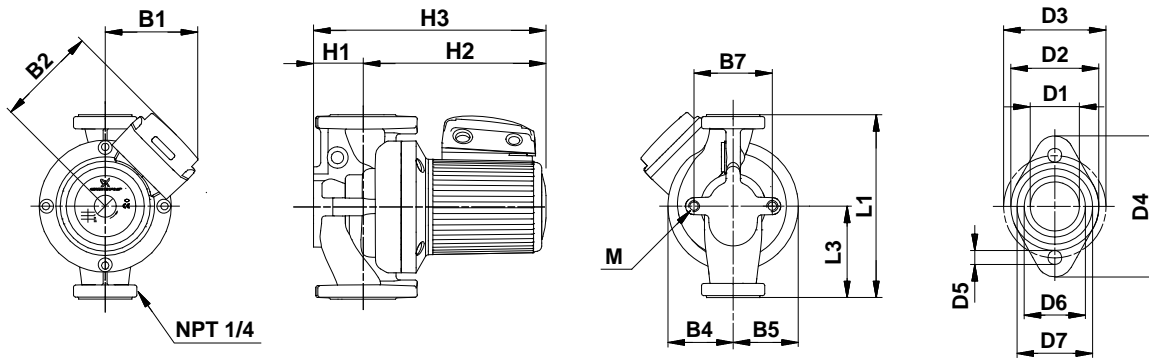
Speed	Max amps [A]	P Max [Watts]	Start amps [A]
	230V		230V
3	6.20	1350	11.80
2	5.55	1200	10.56
1	5.15	1100	9.80

UPS 40-240/2, 3 ph, 208-230 V, 460 V, 575 V★, 60 Hz



Flow range: 13 - 130 gpm  
 Head range: 1 - 62 ft  
 Motor: 2-pole 1.5 Hp  
 Max. liquid temp (Open): +140 °F  
 Max. liquid temp.: +248 °F  
 Min. liquid temp.: +32 °F  
 Max. system pressure: 145 psi  
 Net wt: 47.2 lbs (21.4 kg)  
 Gross wt.: 59.5 lbs (27.0 kg)  
 Shipping volume: 2.90 ft³ (0.082 m³)  
 Net wt. bronze: 51.6 lbs (23.4 kg)  
 Gross wt. bronze: 63.9 lbs (29.0 kg)  
 Shipping volume bronze: 2.90 ft³ (0.082 m³)

Note: ETA is calculated as wire-to-water efficiency.



Dimensions

Model	L1	L3	B1	B2	B4	B5	B7	H1	H2	H3	D1	D2	D3	D4	D5	D6	D7	M	
UPS 40-240/2	[in]	13.50	3.75	5.75	6.68	4.00	4.00	3.19	2.69	11.06	13.96	1.69	2.88	3.42	5.00	0.50	2.06	2.56	
	[mm]	343	95	146	170	102	102	81	68	281	355	43	73	87	127	13	52	65	M12

Product numbers

Model type	Product number		Voltage [V]
	Cast Iron	Bronze	
UPS 40-240/2 (3 ph)	96402798	96402805	208-230
	96402799	96402807	460
	96402801	96402809	575★

Connections

Flange size	Flange type
1.5" non ANSI 2 bolt w/ (2) 0.5" dia. holes	GF 40/43

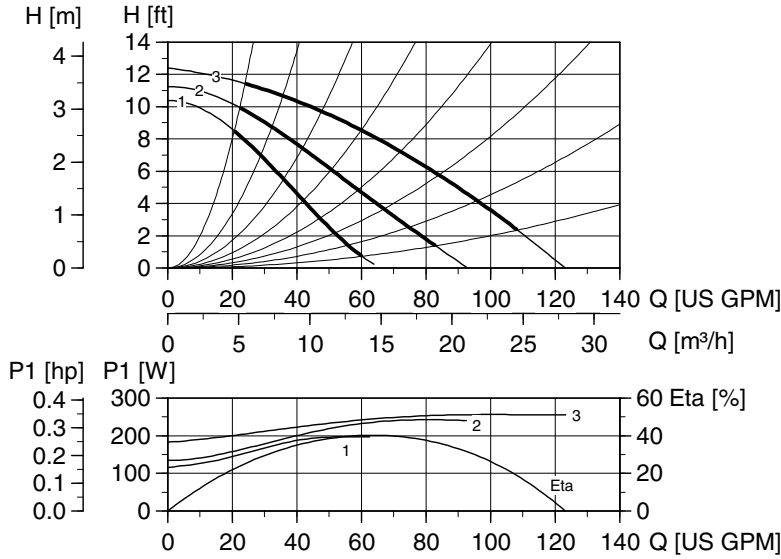
Electrical data

Speed	Max amps [A]			P Max [Watts]	Start amps [A]		
	208-230V	460V	575V★		208-230V	460V	575V★
3	4.50	2.25	1.80	1440	23.80	11.60	9.28
2	3.25	1.63	1.30	1100	17.19	8.40	6.72
1	2.95	▲	▲	990	15.6	▲	▲

▲ All 3-phase, 460V and 575V pumps are 2-speed only.  
 ★ Canada only.



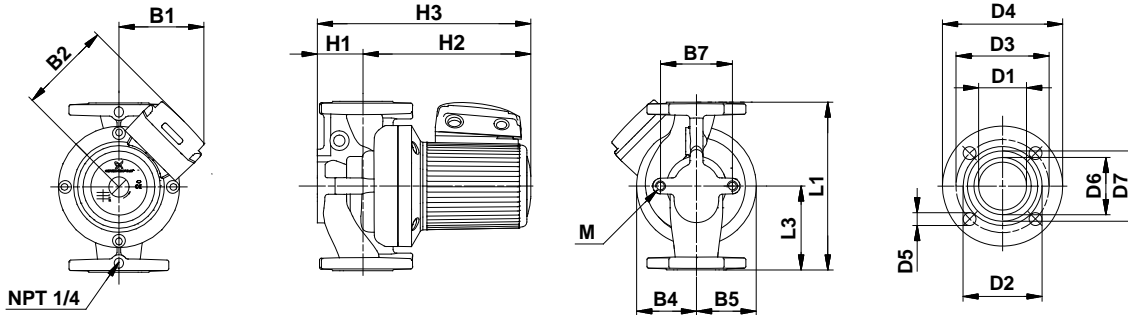
**UPS 50-40/4, 1 ph, 115 V, 230 V, 60 Hz**



TM00 9518 0307

- Flow range: 20 - 125 gpm
- Head range: 1 - 12 ft
- Motor: 4-pole 0.33 Hp
- Max. liquid temp (Open): +140 °F
- Max. liquid temp.: +248 °F
- Min. liquid temp.: +32 °F
- Max. system pressure: 145 psi
- Net wt: 43.7 lbs (19.8 kg)
- Gross wt.: 51.8 lbs (23.5 kg)
- Shipping volume: 2.90 ft³ (0.082 m³)
- Net wt. bronze: 53.6 lbs (24.3 kg)
- Gross wt. bronze: 61.7 lbs (28.0 kg)
- Shipping volume bronze: 2.90 ft³ (0.082 m³)

**Note:** ETA is calculated as wire-to-water efficiency.



TM02 0730 5100

**Dimensions**

Model	L1	L3	B1	B2	B4	B5	B7	H1	H2	H3	D1	D2	D3	D4	D5	D6	D7	M
UPS 50-40/4	[in]	14.00	7.00	5.31	5.56	3.56	3.00	4.75	3.25	10.13	13.08	2.13	3.44	4.05	5.25	0.55	2.50	3.06
	[mm]	356	178	135	141	90	76	121	83	257	332	54	87	103	133	14	64	78

**Product numbers**

Model type	Product number		Voltage [V]
	Cast Iron	Bronze	
UPS 50-40/4 (1 ph)	96402814	96402819	115
	96402815	96402820	230

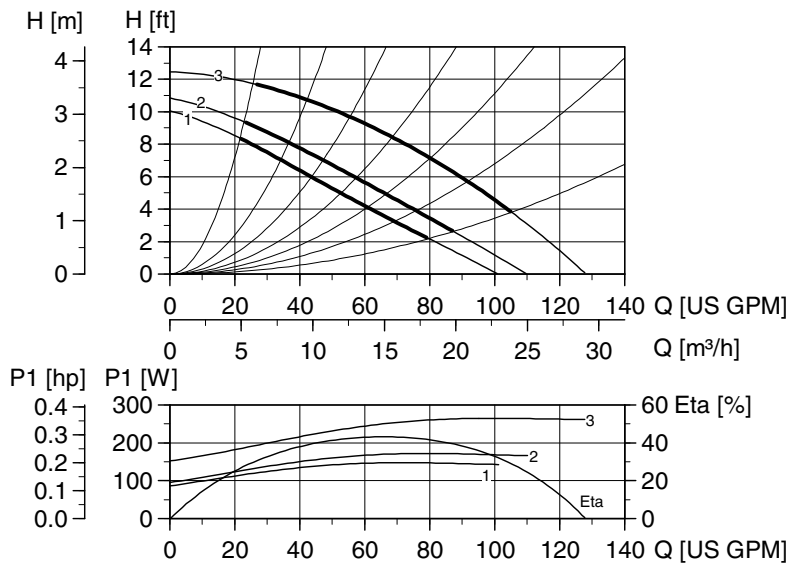
**Connections**

Flange size	Flange type
2" non ANSI 4 bolt w/ (4) 0.56" dia. holes	GF 50

**Electrical data**

Speed	Max amps [A]		P Max [Watts]	Start amps [A]	
	115V	230V		115V	230V
	3	2.66		1.32	285
2	2.60	1.30	244	5.08	2.56
1	2.20	1.10	204	4.30	2.17

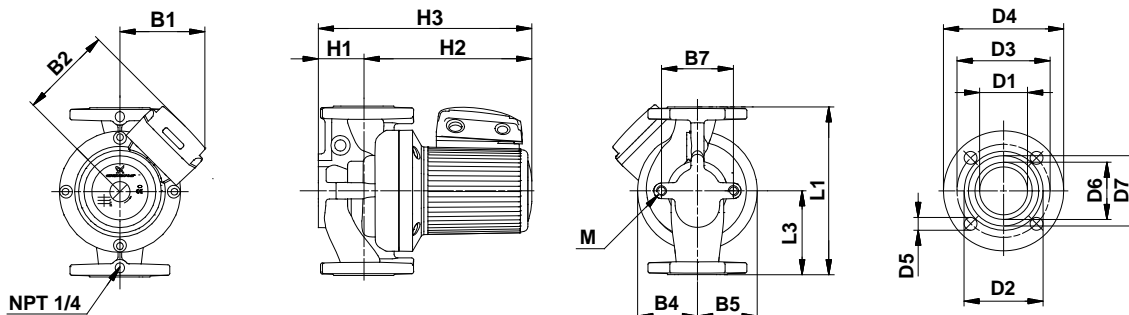
UPS 50-40/4, 3 ph, 208-230 V, 460 V, 575 V★, 60 Hz



TM00 9501 0307

- Flow range: 20 - 125 gpm
- Head range: 1 - 12 ft
- Motor: 4-pole 0.33 Hp
- Max. liquid temp (Open): +140 °F
- Max. liquid temp.: +248 °F
- Min. liquid temp.: +32 °F
- Max. system pressure: 145 psi
- Net wt: 43.7 lbs (19.8 kg)
- Gross wt.: 51.8 lbs (23.5 kg)
- Shipping volume: 2.90 ft<sup>3</sup> (0.082 m<sup>3</sup>)
- Net wt. bronze: 53.6 lbs (24.3 kg)
- Gross wt. bronze: 61.7 lbs (28.0 kg)
- Shipping volume bronze: 2.90 ft<sup>3</sup> (0.082 m<sup>3</sup>)

Note: ETA is calculated as wire-to-water efficiency.



TM02 0730 5100

Dimensions

Model	L1	L3	B1	B2	B4	B5	B7	H1	H2	H3	D1	D2	D3	D4	D5	D6	D7	M	
UPS 50-40/4	[in]	14.00	7.00	5.31	5.56	3.56	3.00	4.75	3.25	10.13	13.08	2.13	3.44	4.05	5.25	0.55	2.50	3.06	
	[mm]	356	178	135	141	90	76	121	83	257	332	54	87	103	133	14	64	78	M12

Product numbers

Model type	Product number		Voltage [V]
	Cast Iron	Bronze	
UPS 50-40/4 (3 ph)	96402816	96402821	208-230
	96402817	96402822	460
	96402818	96402823	575★

Connections

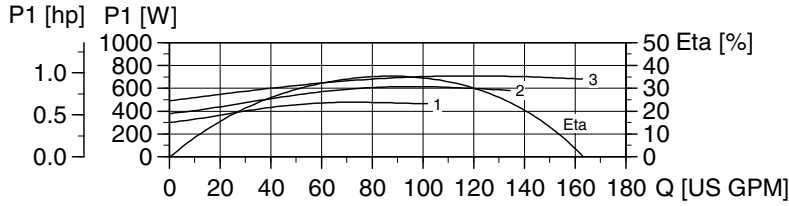
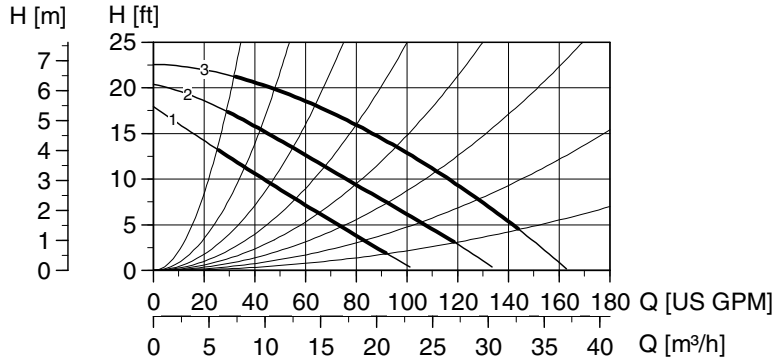
Flange size	Flange type
1" non ANSI 4 bolt w/ (4) 0.56" dia. holes	GF 50

Electrical data

Speed	Max amps [A]			P Max [Watts]	Start amps [A]		
	208-230V	460V	575V★		208-230V	460V	575V★
3	1.40	0.70	0.56	270	4.60	2.30	1.84
2	0.66	0.33	0.26	170	2.17	1.08	0.86
1	0.54	▲	▲	150	1.77	▲	▲

▲ All 3-phase, 460V and 575V pumps are 2-speed only.  
★ Canada only.

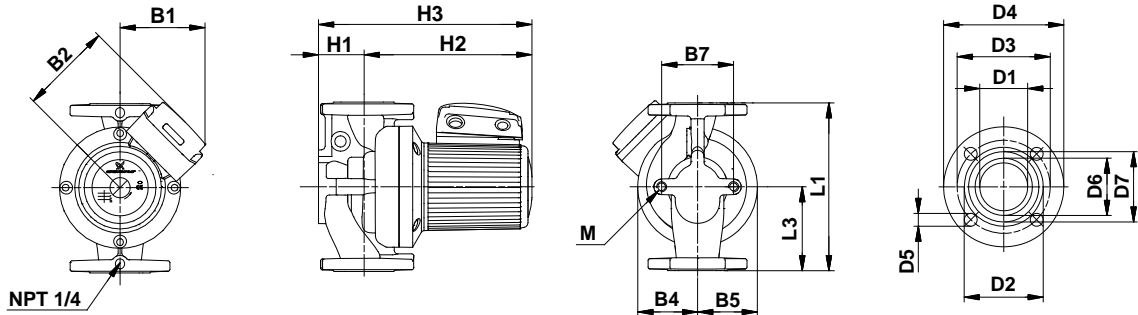
**UPS 50-80/4, 1 ph, 115 V, 230 V, 60 Hz**



TM00 9519 0307

- Flow range: 20 - 160 gpm
- Head range: 1 - 24 ft
- Motor: 4-pole 0.75 Hp
- Max. liquid temp (Open): +140 °F
- Max. liquid temp.: +248 °F
- Min. liquid temp.: +32 °F
- Max. system pressure: 145 psi
- Net wt: 60.2 lbs (27.3 kg)
- Gross wt.: 72.5 lbs (32.9 kg)
- Shipping volume: 2.90 ft<sup>3</sup> (0.082 m<sup>3</sup>)
- Net wt. bronze: 66.8 lbs (30.3 kg)
- Gross wt. bronze: 79.1 lbs (35.9 kg)
- Shipping volume bronze: 2.90 ft<sup>3</sup> (0.082 m<sup>3</sup>)

**Note:** ETA is calculated as wire-to-water efficiency.



TM02 0730 5100

**Dimensions**

Model	L1	L3	B1	B2	B4	B5	B7	H1	H2	H3	D1	D2	D3	D4	D5	D6	D7	M	
UPS 50-80/4	[in]	11.50	7.00	5.75	6.68	4.38	3.94	4.75	3.25	10.88	14.23	2.13	3.44	3.44	5.25	0.55	2.50	3.06	
	[mm]	292	178	146	170	111	100	121	83	276	361	54	87	87	133	14	64	78	M12

**Product numbers**

Model type	Product number		Voltage [V]
	Cast Iron	Bronze	
UPS 50-80/4 (1 ph)	96404958	96404963	115
	96404959	96404964	230

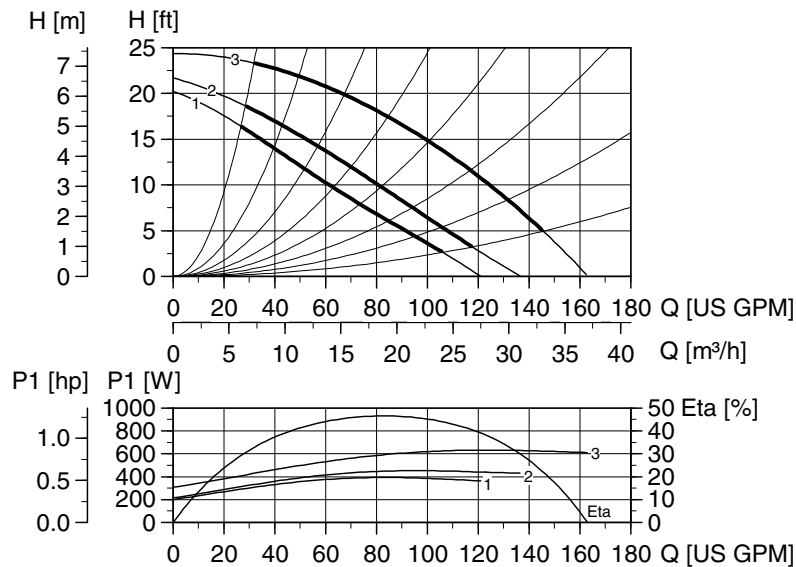
**Connections**

Flange size	Flange type
2" non ANSI 4 bolt w/ (4) 0.56" dia. holes	GF 50

**Electrical data**

Speed	Max amps [A]		P Max [Watts]	Start amps [A]	
	115V	230V		115V	230V
3	7.55	3.80	720	13.20	6.50
2	6.85	3.40	620	11.98	5.82
1	5.15	2.60	480	9.00	4.45

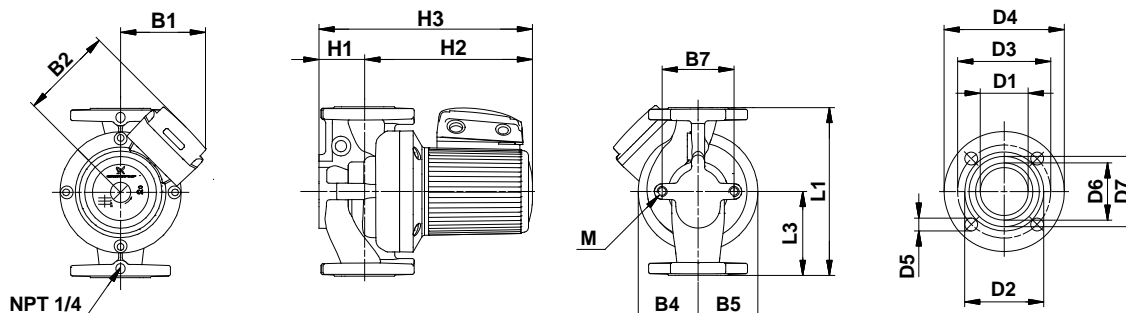
UPS 50-80/4, 3 ph, 208-230 V, 460 V, 575 V★, 60 Hz



TM00 9502 0307

- Flow range: 20 - 160 gpm
- Head range: 1 - 24 ft
- Motor: 4-pole 0.75 Hp
- Max. liquid temp (Open): +140 °F
- Max. liquid temp.: +248 °F
- Min. liquid temp.: +32 °F
- Max. system pressure: 145 psi
- Net wt: 59.5 lbs (27.0 kg)
- Gross wt.: 71.9 lbs (32.6 kg)
- Shipping volume: 2.90 ft<sup>3</sup> (0.082 m<sup>3</sup>)
- Net wt. bronze: 66.8 lbs (30.3 kg)
- Gross wt. bronze: 79.1 lbs (35.9 kg)
- Shipping volume bronze: 2.90 ft<sup>3</sup> (0.082 m<sup>3</sup>)

Note: ETA is calculated as wire-to-water efficiency.



TM02 0730 5100

Dimensions

Model	L1	L3	B1	B2	B4	B5	B7	H1	H2	H3	D1	D2	D3	D4	D5	D6	D7	M	
UPS 50-80/4	[in]	11.50	7.00	5.75	6.68	4.38	3.94	4.75	3.25	10.88	14.23	2.13	3.44	3.44	5.25	0.55	2.50	3.06	
	[mm]	292	178	146	170	111	100	121	83	276	361	54	87	87	133	14	64	78	M12

Product numbers

Model type	Product number		Voltage [V]
	Cast Iron	Bronze	
UPS 50-80/4 (3 ph)	96404960	96404965	208-230
	96404961	96404966	460
	96404962	96404967	575★

Connections

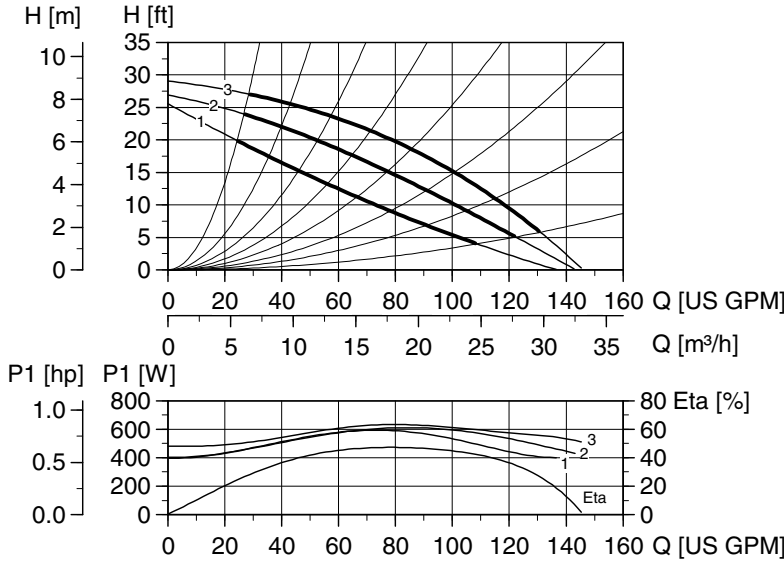
Flange size	Flange type
2" non ANSI 4 bolt w/ (4) 0.56" dia. holes	GF 50

Electrical data

Speed	Max amps [A]			P Max [Watts]	Start amps [A]		
	208-230V	460V	575V★		208-230V	460V	575V★
3	2.44	1.22	0.98	640	8.50	4.30	3.44
2	1.44	0.72	0.58	450	5.02	2.54	2.00
1	1.24	▲	▲	390	4.32	▲	▲

▲ All 3-phase, 460V and 575V pumps are 2-speed only.  
★ Canada only.

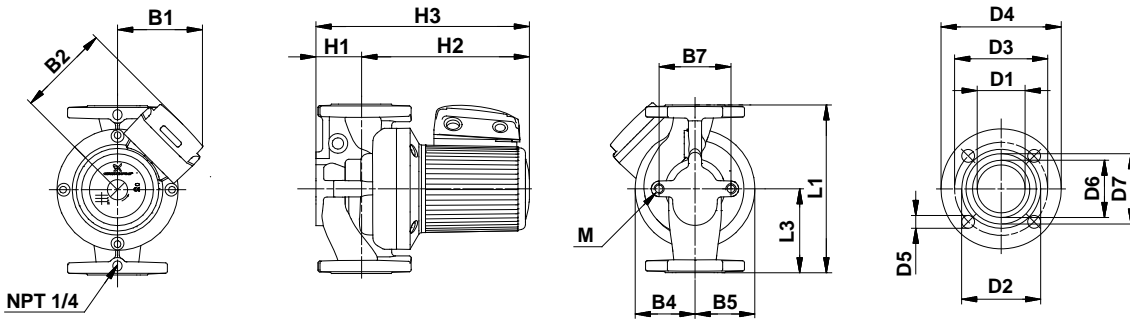
**UPS 50-80/2, 1 ph, 115 V, 230 V, 60 Hz**



TM00 9520 0697

- Flow range: 20 - 150 gpm
- Head range: 1 - 30 ft
- Motor: 2-pole 0.75 Hp
- Max. liquid temp (Open): +140 °F
- Max. liquid temp.: +248 °F
- Min. liquid temp.: +32 °F
- Max. system pressure: 145 psi
- Net wt: 46.7 lbs (21.2 kg)
- Gross wt.: 54.2 lbs (24.6 kg)
- Shipping volume: 2.90 ft<sup>3</sup> (0.082 m<sup>3</sup>)
- Net wt. bronze: 52.2 lbs (27.3 kg)
- Gross wt. bronze: 59.7 lbs (27.1 kg)
- Shipping volume bronze: 2.90 ft<sup>3</sup> (0.082 m<sup>3</sup>)

**Note:** ETA is calculated as wire-to-water efficiency.



TM02 0730 5100

**Dimensions**

Model	L1	L3	B1	B2	B4	B5	B7	H1	H2	H3	D1	D2	D3	D4	D5	D6	D7	M
	[in]																	
UPS 50-80/2	11.5	7.00	5.31	5.56	3.75	3.00	4.75	3.00	9.88	12.86	2.13	3.44	4.06	5.25	0.55	2.50	3.06	
	[mm]																	
UPS 50-80/2	292	178	135	141	95	76	121	76	251	327	54	87	103	133	14	64	78	M12

**Product numbers**

Model type	Product number		Voltage [V]
	Cast Iron	Bronze	
UPS 50-80/2 (1 ph)	96402834	96402843	115
	96402836	96402844	230

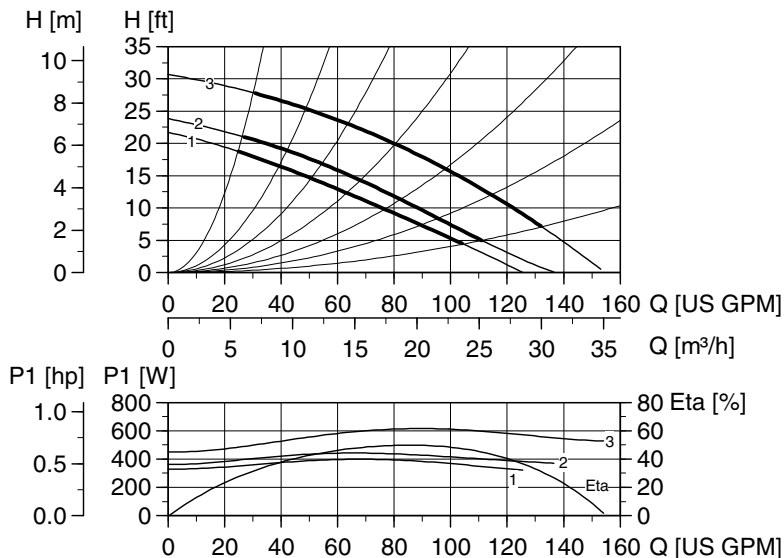
**Connections**

Flange size	Flange type
2" non ANSI 4 bolt w/ (4) 0.56" dia. holes	GF 50

**Electrical data**

Speed	Max amps [A]		P Max [Watts]	Start amps [A]	
	115V	230V		115V	230V
3	5.85	2.95	630	14.60	7.30
2	5.80	2.90	610	14.48	7.18
1	5.70	2.85	600	14.23	7.05

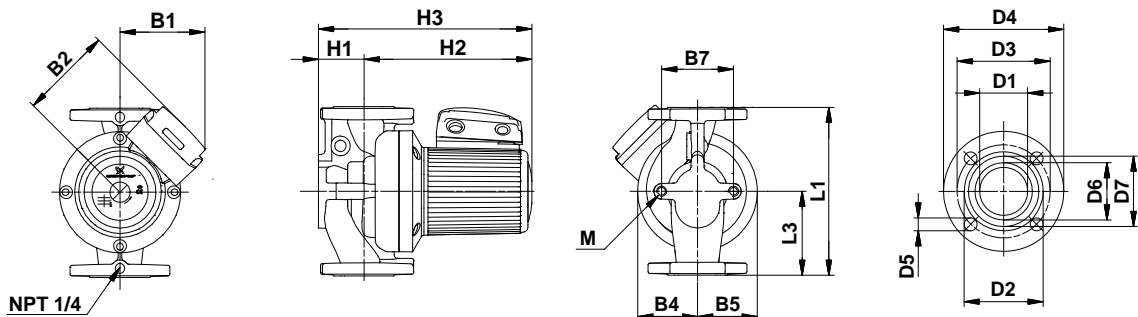
UPS 50-80/2, 3 ph, 208-230 V, 460 V, 575 V★, 60 Hz



TM00 9503 0307

- Flow range: 20 - 150 gpm
- Head range: 1 - 30 ft
- Motor: 2-pole 0.75 Hp
- Max. liquid temp (Open): +140 °F
- Max. liquid temp.: +248 °F
- Min. liquid temp.: +32 °F
- Max. system pressure: 145 psi
- Net wt: 49.5 lbs (20.8 kg)
- Gross wt.: 53.4 lbs (24.2 kg)
- Shipping volume: 2.90 ft<sup>3</sup> (0.082 m<sup>3</sup>)
- Net wt. bronze: 52.2 lbs (23.7 kg)
- Gross wt. bronze: 59.7 lbs (27.1 kg)
- Shipping volume bronze: 2.90 ft<sup>3</sup> (0.082 m<sup>3</sup>)

Note: ETA is calculated as wire-to-water efficiency.



TM02 0730 5100

Dimensions

Model	L1	L3	B1	B2	B4	B5	B7	H1	H2	H3	D1	D2	D3	D4	D5	D6	D7	M
UPS 50-80/2	[in]	11.5	7.00	5.31	5.56	3.75	3.00	4.75	3.00	9.88	12.86	2.13	3.44	4.06	5.25	0.55	2.50	3.06
	[mm]	292	178	135	141	95	76	121	76	251	327	54	87	103	133	14	64	78

Product numbers

Model type	Product number		Voltage [V]
	Cast Iron	Bronze	
UPS 50-80/2 (3 ph)	96402838	96402845	208-230
	96402840	96402846	460
	96402842	96402847	575★

Connections

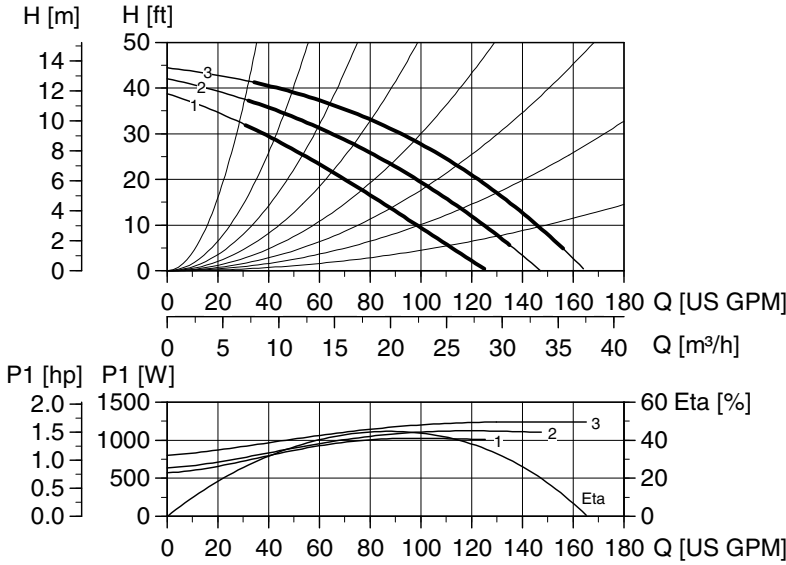
Flange size	Flange type
2" non ANSI 4 bolt w/ (4) 0.56" dia. holes	GF 50

Electrical data

Speed	Max amps [A]			P Max [Watts]	Start amps [A]		
	208-230V	460V	575V★		208-230V	460V	575V★
3	1.92	0.96	0.77	610	9.30	4.70	3.76
2	1.20	0.60	0.48	440	5.81	2.94	2.40
1	1.08	▲	▲	400	5.23	▲	▲

▲ All 3-phase, 460V and 575V pumps are 2-speed only.  
★ Canada only.

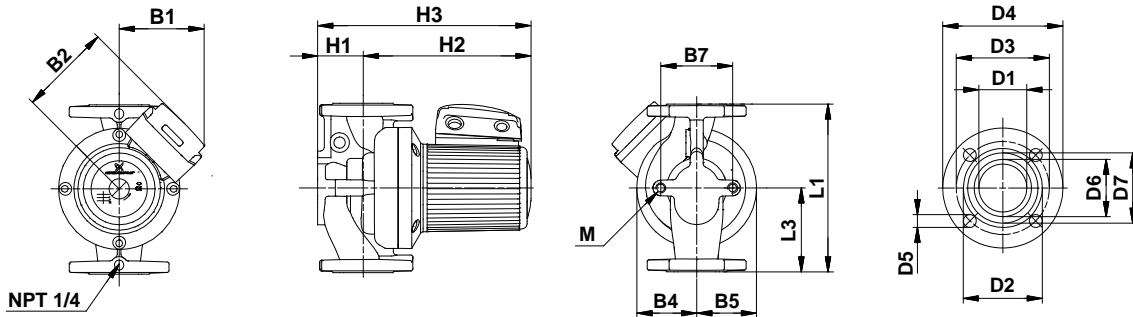
**UPS 50-160/2, 1 ph, 230 V, 60 Hz**



TM00 9413 0307

- Flow range: 20 - 170 gpm
- Head range: 1 - 46 ft
- Motor: 2-pole 1.50 Hp
- Max. liquid temp (Open): +140 °F
- Max. liquid temp.: +248 °F
- Min. liquid temp.: +32 °F
- Max. system pressure: 145 psi
- Net wt: 53.6 lbs (24.3 kg)
- Gross wt.: 65.9 lbs (29.9 kg)
- Shipping volume: 2.90 ft³ (0.082 m³)
- Net wt. bronze: 68.3 lbs (31.0 kg)
- Gross wt. bronze: 80.7 lbs (36.6 kg)
- Shipping volume bronze: 2.90 ft³ (0.082 m³)

**Note:** ETA is calculated as wire-to-water efficiency.



TM02 0730 5100

**Dimensions**

Model	L1	L3	B1	B2	B4	B5	B7	H1	H2	H3	D1	D2	D3	D4	D5	D6	D7	M
UPS 50-160/2	[in]	14.00	7.00	5.75	6.68	3.94	3.94	4.75	3.00	10.81	13.78	2.13	3.44	4.05	5.25	0.55	2.50	3.06
	[mm]	356	178	146	170	100	100	121	76	275	350	54	87	103	133	14	64	78

**Product numbers**

Model type	Product number		Voltage [V]
	Cast Iron	Bronze	
UPS 50-160/2 (1 ph)	96411613	96411614	230

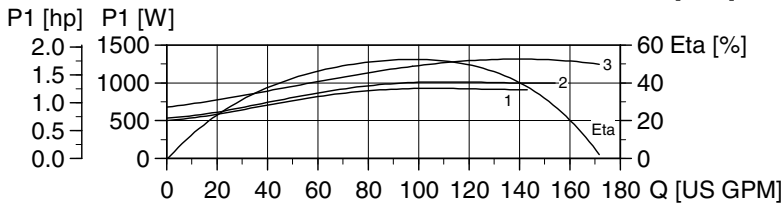
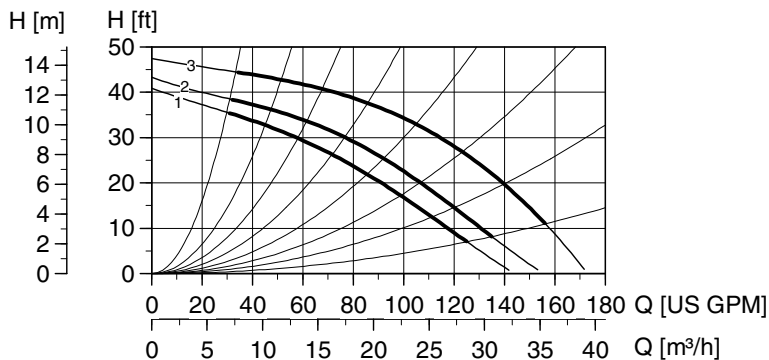
**Connections**

Flange size	Flange type
2" non ANSI 4 bolt w/ (4) 0.56" dia. holes	GF 50

**Electrical data**

Speed	Max amps [A]	P Max [Watts]	Start amps [A]
	230V		230V
3	5.80	1250	26.50
2	5.20	1100	23.76
1	4.85	1050	22.16

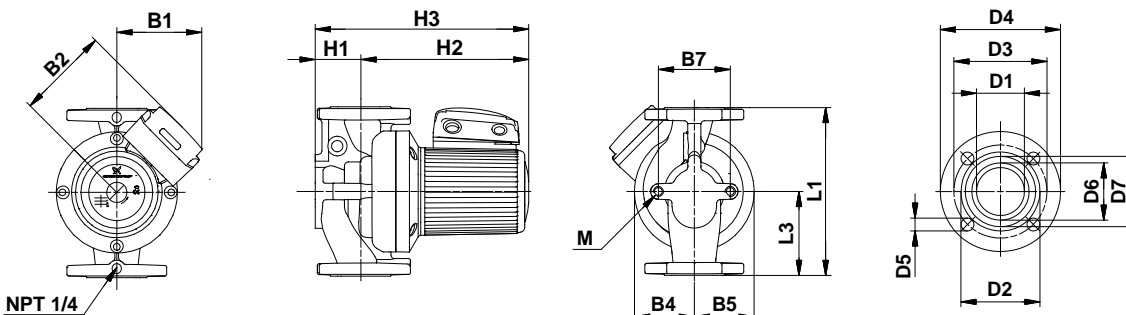
**UPS 50-160/2, 3 ph, 208-230 V, 460 V, 575★, 60 Hz**



TM00 9504 0307

- Flow range: 20 - 170 gpm
- Head range: 1 - 46ft
- Motor: 2-pole 1.50 Hp
- Max. liquid temp (Open): +140 °F
- Max. liquid temp.: +248 °F
- Min. liquid temp.: +32 °F
- Max. system pressure: 145 psi
- Net wt: 53.6 lbs (24.3 kg)
- Gross wt.: 65.9 lbs (29.9 kg)
- Shipping volume: 2.90 ft<sup>3</sup> (0.082 m<sup>3</sup>)
- Net wt. bronze: 68.3 lbs (31 kg)
- Gross wt. bronze: 80.7 lbs (36.6 kg)
- Shipping volume bronze: 2.90 ft<sup>3</sup> (0.082 m<sup>3</sup>)

**Note:** ETA is calculated as wire-to-water efficiency.



TM02 0730 5100

**Dimensions**

Model	L1	L3	B1	B2	B4	B5	B7	H1	H2	H3	D1	D2	D3	D4	D5	D6	D7	M	
UPS 50-160/2	[in]	14.00	7.00	5.75	6.68	3.94	3.94	4.75	3.00	10.81	13.78	2.13	3.44	4.05	5.25	0.55	2.50	3.06	
	[mm]	356	178	146	170	100	100	121	76	275	350	54	87	103	133	14	64	78	M12

**Product numbers**

Model type	Product number		Voltage [V]
	Cast Iron	Bronze	
UPS 50-160/2 (3 ph)	96402860	96402866	208-230
	96402861	96402868	460
	96402862	96402870	575★

**Connections**

Flange size	Flange type
2" non ANSI 4 bolt w/ (4) 0.56" dia. holes	GF 50

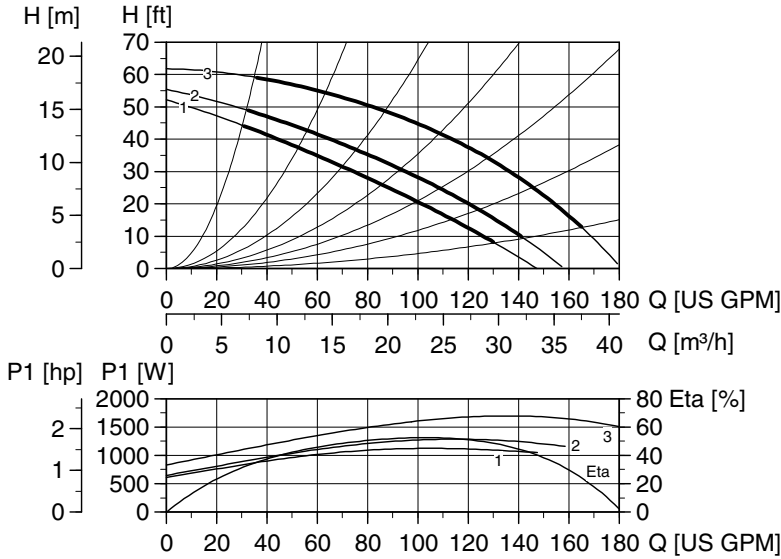
**Electrical data**

Speed	Max amps [A]			P Max [Watts]	Start amps [A]		
	208-230V	460V	575V★		208-230V	460V	575V★
3	4.00	2.00	1.60	1300	22.80	11.40	9.12
2	3.00	1.50	1.20	1000	17.10	8.55	6.84
1	2.75	▲	▲	950	15.68	▲	▲

▲ All 3-phase, 460V and 575V pumps are 2-speed only.  
★ Canada only.



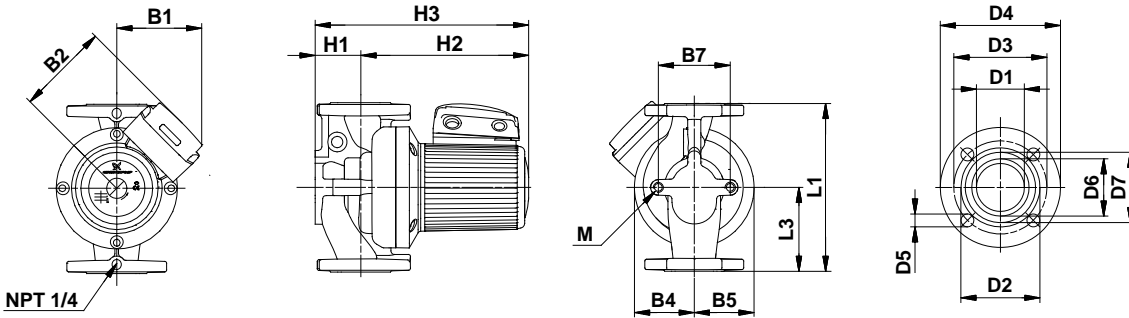
**UPS 50-240/2, 3 ph, 208-230 V, 460 V, 575 V★, 60 Hz**



TM00 9505 0307

- Flow range: 20 - 180 gpm
- Head range: 1 - 62 ft
- Motor: 2-pole 2.00 Hp
- Max. liquid temp (Open): +140 °F
- Max. liquid temp.: +248 °F
- Min. liquid temp.: +32 °F
- Max. system pressure: 145 psi
- Net wt: 60.6 lbs (27.5 kg)
- Gross wt.: 73.0 lbs (33.1 kg)
- Shipping volume: 2.90 ft³ (0.082 m³)
- Net wt. bronze: 67.2 lbs (30.5 kg)
- Gross wt. bronze: 79.6 lbs (36.1 kg)
- Shipping volume bronze: 2.90 ft³ (0.082 m³)

**Note:** ETA is calculated as wire-to-water efficiency.



TM02 0730 5100

**Dimensions**

Model	L1	L3	B1	B2	B4	B5	B7	H1	H2	H3	D1	D2	D3	D4	D5	D6	D7	M
UPS 50-240/2	[in]	14.00	7.00	5.75	6.68	3.75	2.94	4.75	2.94	9.88	13.78	2.06	4.19	5.00	6.00	0.55	3.50	4.00
	[mm]	356	178	146	170	95	75	121	75	251	350	52	106	127	152	14	89	102

**Product numbers**

Model type	Product number		Voltage [V]
	Cast Iron	Bronze	
UPS 50-240/2 (3 ph)	96402882	96402885	208-230
	96402883	96402886	460
	96402884	96402887	575★

**Connections**

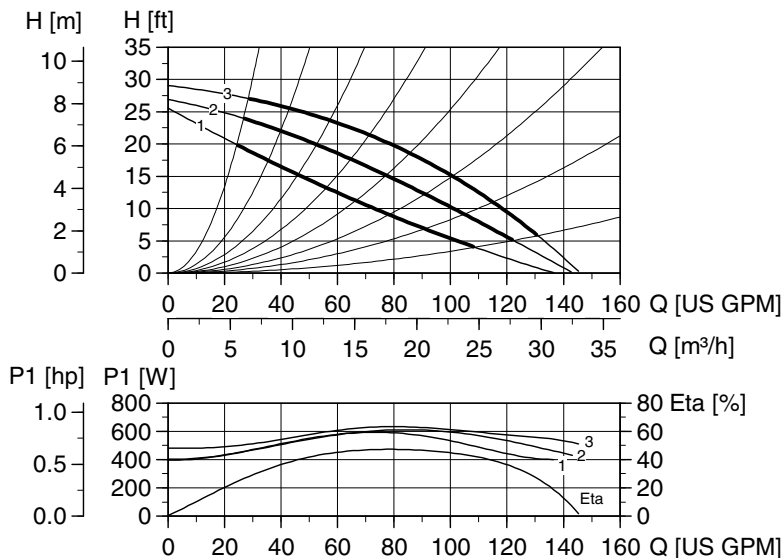
Flange size	Flange type
2" non ANSI 4 bolt w/ (4) 0.56" dia. holes	GF 50

**Electrical data**

Speed	Max amps [A]			P Max [Watts]	Start amps [A]		
	208-230V	460V	575V★		208-230V	460V	575V★
3	5.80	2.65	2.12	1700	26.50	15.40	12.32
2	3.95	1.98	1.68	1300	23.10	11.51	9.21
1	3.50	▲	▲	1150	20.47	▲	▲

▲ All 3-phase, 460V and 575V pumps are 2-speed only.  
★ Canada only.

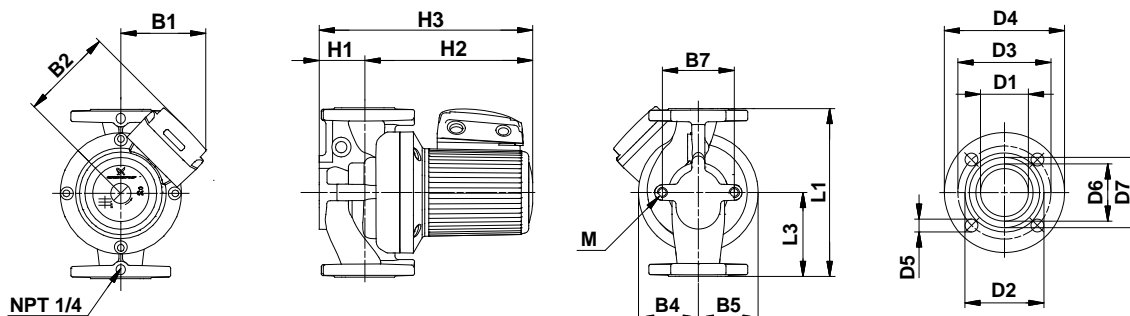
**UPS 53-55/57, 1 ph, 115 V, 230 V, 60 Hz**



TM00 9520 0307

- Flow range: 20 - 150 gpm
- Head range: 1 - 30 ft
- Motor: 4-pole 0.75 Hp
- Max. liquid temp (Open): +140 °F
- Max. liquid temp.: +248 °F
- Min. liquid temp.: +32 °F
- Max. system pressure: 145 psi
- Net wt: 46.7 lbs (21.2 kg)
- Gross wt.: 54.2 lbs (24.6 kg)
- Shipping volume: 2.10 ft<sup>3</sup> (0.06 m<sup>3</sup>)
- Net wt. bronze: 52.2 lbs (23.7 kg)
- Gross wt. bronze: 59.7 lbs (27.1 kg)
- Shipping volume bronze: 2.10 ft<sup>3</sup> (0.06 m<sup>3</sup>)

**Note:** ETA is calculated as wire-to-water efficiency.



TM02 0730 5100

**Dimensions**

Model	L1	L3	B1	B2	B4	B5	B7	H1	H2	H3	D1	D2	D3	D4	D5	D6	D7	M	
UPS 53-55/57	[in]	11.88	5.94	5.31	5.56	3.75	2.94	4.75	2.94	9.88	12.86	2.06	4.19	5.00	6.00	0.63	3.50	4.00	
	[mm]	302	151	135	141	95	75	121	75	251	327	52	106	127	152	16	89	102	M12

**Product numbers**

Model type	Product number		Voltage [V]
	Cast Iron	Bronze	
UPS 53-55/57 (1 ph)	96654373	96654392	115
	96654374	96654393	230

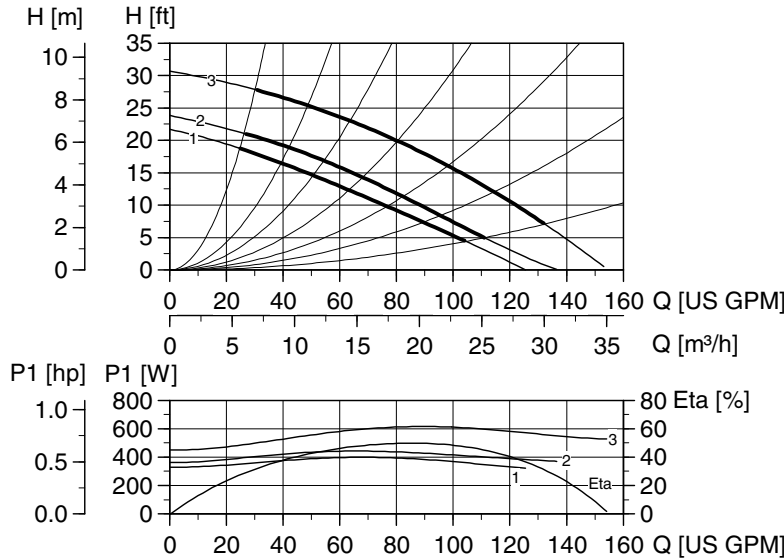
**Connections**

Flange size	Flange type
2.0", 2.5", 3.0" non ANSI 4 bolt w/ (4) 0.63" dia. holes	GF 53

**Electrical data**

Speed	Max amps [A]		P Max [Watts]	Start amps [A]	
	115V	230V		115V	230V
3	5.85	2.95	630	14.60	7.30
2	5.80	2.85	613	14.48	7.18
1	5.70	2.80	600	14.23	7.05

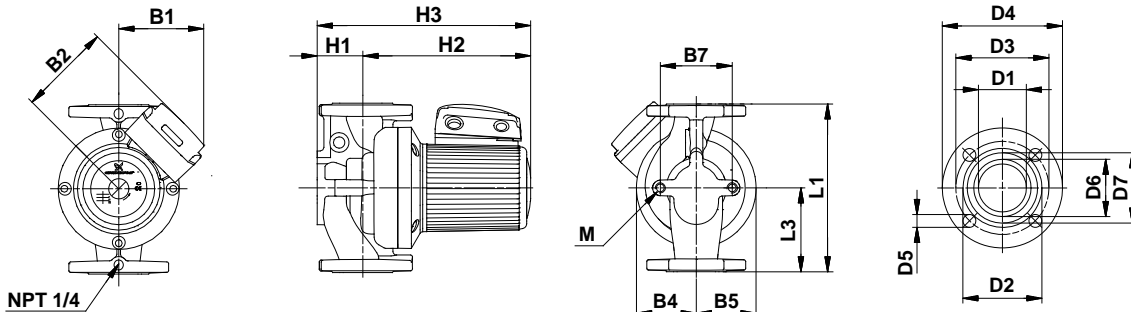
**UPS 53-55/57, 3 ph, 208-230 V, 460 V, 575 V★, 60 Hz**



TM00 9503 0307

- Flow range: 20 - 150 gpm
- Head range: 1 - 30 ft
- Motor: 2-pole 0.75 Hp
- Max. liquid temp (Open): +140 °F
- Max. liquid temp.: +248 °F
- Min. liquid temp.: +32 °F
- Max. system pressure: 145 psi
- Net wt: 46.7 lbs (21.2 kg)
- Gross wt.: 54.2 lbs (24.6 kg)
- Shipping volume: 2.10 ft³ (0.06 m³)
- Net wt. bronze: 52.2 lbs (23.7 kg)
- Gross wt. bronze: 59.7 lbs (27.1 kg)
- Shipping volume bronze: 2.10 ft³ (0.06 m³)

Note: ETA is calculated as wire-to-water efficiency.



TM02 0730 5100

**Dimensions**

Model	L1	L3	B1	B2	B4	B5	B7	H1	H2	H3	D1	D2	D3	D4	D5	D6	D7	M	
UPS 53-55/57	[in]	11.88	5.94	5.31	5.56	3.75	2.94	4.75	2.94	9.88	12.86	2.06	4.19	5.00	6.00	0.63	3.50	4.00	
	[mm]	302	151	135	141	95	75	121	75	251	327	52	106	127	152	16	89	102	M12

**Product numbers**

Model type	Product number		Voltage [V]
	Cast Iron	Bronze	
UPS 53-55/57 (3 ph)	96654375	96654394	208-230
	96654376	96654395	460
	96654377	96654396	575★

**Connections**

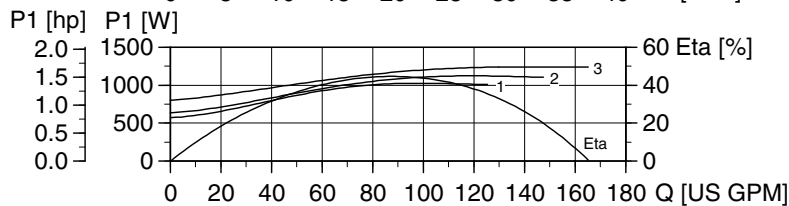
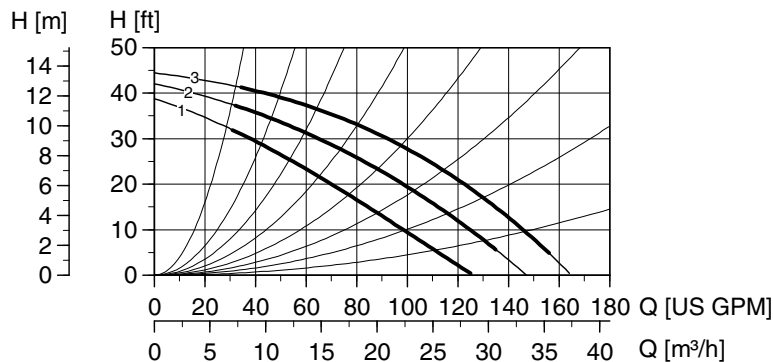
Flange size	Flange type
2.0", 2.5", 3.0" non ANSI 4 bolt w/ (4) 0.63" dia. holes	GF 53

**Electrical data**

Speed	Max amps [A]			P Max [Watts]	Start amps [A]		
	208-230V	460V	575V★		208-230V	460V	575V★
3	1.92	0.96	0.77	610	9.30	4.70	3.76
2	1.20	0.60	0.48	440	5.81	2.94	2.40
1	1.08	▲	▲	400	5.23	▲	▲

▲ All 3-phase, 460V and 575V pumps are 2-speed only.  
★ Canada only.

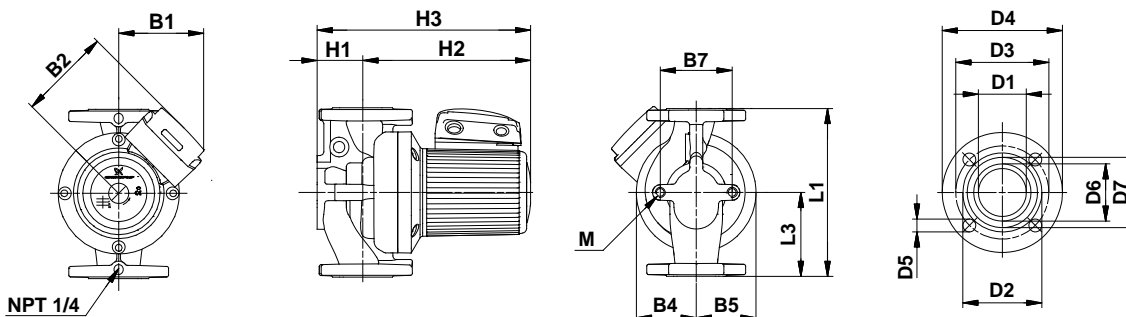
**UPS 75-69/2, 1 ph, 230 V, 60 Hz**



TM00 9413 0307

- Flow range: 20 - 170 gpm
- Head range: 1 - 46 ft
- Motor: 2-pole 1.25 Hp
- Max. liquid temp (Open): +140 °F
- Max. liquid temp.: +248 °F
- Min. liquid temp.: +32 °F
- Max. system pressure: 145 psi
- Net wt: 53.6 lbs (24.3 kg)
- Gross wt.: 65.7 lbs (29.8 kg)
- Shipping volume: 3.50 ft<sup>3</sup> (0.098 m<sup>3</sup>)
- Net wt. bronze: 68.3 lbs (31.0 kg)
- Gross wt. bronze: 80.5 lbs (36.5 kg)
- Shipping volume bronze: 3.50 ft<sup>3</sup> (0.098 m<sup>3</sup>)

**Note:** ETA is calculated as wire-to-water efficiency.



TM02 0730 5100

**Dimensions**

Model	L1	L3	B1	B2	B4	B5	B7	H1	H2	H3	D1	D2	D3	D4	D5	D6	D7	M	
UPS 75-69/2	[in]	14.25	7.13	5.69	6.68	3.94	3.94	4.50	2.94	10.81	13.78	2.94	4.31	6.00	7.50	0.75	6.50	4.00	
	[mm]	362	181	145	170	100	100	114	75	275	350	75	109	152	191	19	165	102	M12

**Product numbers**

Model type	Product number		Voltage [V]
	Cast Iron	Bronze	
UPS 75-69/2 (1 ph)	96654378	96654397	230

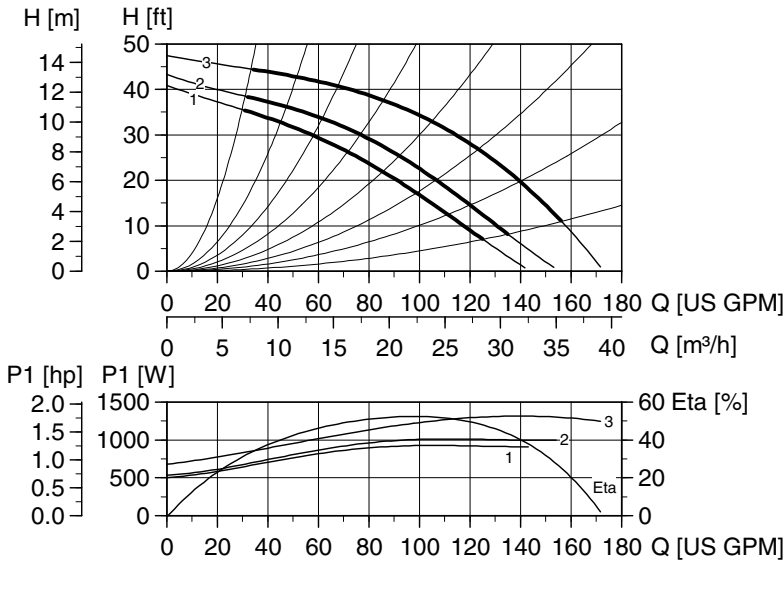
**Connections**

Flange size	Flange type
3" ANSI 125# R.F.	GF80

**Electrical data**

Speed	Max amps [A]	P Max [Watts]	Start amps [A]
	230V		230V
3	5.80	1250	26.50
2	5.20	1100	23.76
1	4.85	1050	22.16

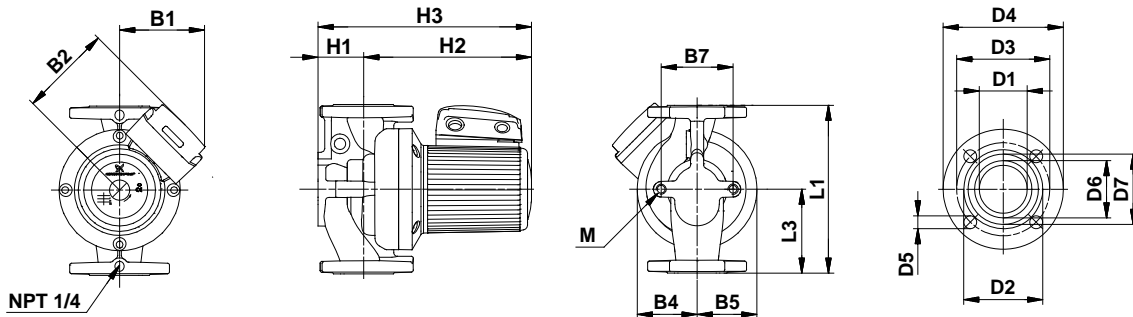
**UPS 75-69/2, 3 ph, 208-230 V, 460 V, 575 V★, 60 Hz**



- Flow range: 20 - 170 gpm
- Head range: 1 - 46 ft
- Motor: 2-pole 1.25 Hp
- Max. liquid temp (Open): +140 °F
- Max. liquid temp.: +248 °F
- Min. liquid temp.: +32 °F
- Max. system pressure: 145 psi
- Net wt: 53.6 lbs (24.3 kg)
- Gross wt.: 65.7 lbs (29.8 kg)
- Shipping volume: 3.50 ft³ (0.098 m³)
- Net wt. bronze: 68.3 lbs (31.0 kg)
- Gross wt. bronze: 80.5 lbs (36.5 kg)
- Shipping volume bronze: 3.50 ft³ (0.098 m³)

TM00 9504 0307

Note: ETA is calculated as wire-to-water efficiency.



TM02 0730 5100

**Dimensions**

Model	L1	L3	B1	B2	B4	B5	B7	H1	H2	H3	D1	D2	D3	D4	D5	D6	D7	M
UPS 75-69/2	[in]	14.25	7.13	5.69	6.68	3.94	3.94	4.50	2.94	10.81	13.78	2.94	4.31	6.00	7.50	0.75	6.50	4.00
	[mm]	362	181	145	170	100	100	114	75	275	350	75	109	152	191	19	165	102

**Product numbers**

Model type	Product number		Voltage [V]
	Cast Iron	Bronze	
UPS 75-69/2 (3 ph)	96654379	96654398	208-230
	96654390	96654399	460
	96654391	96654400	575★

**Connections**

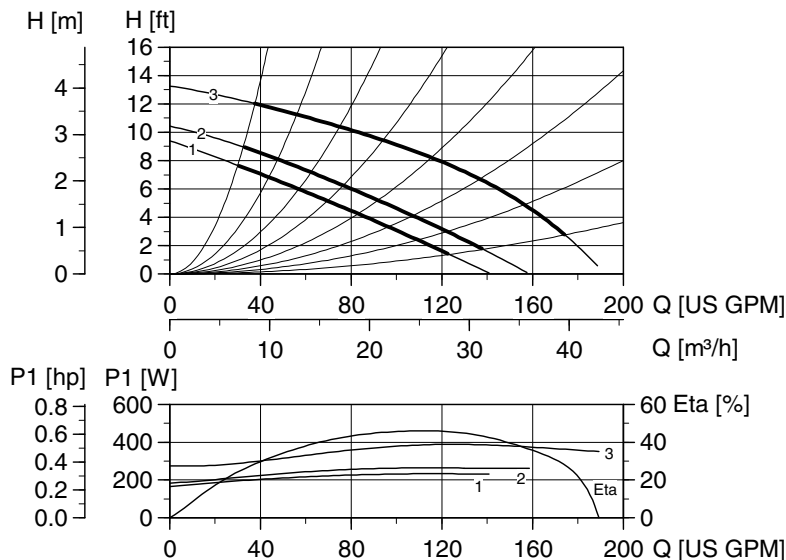
Flange size	Flange type
3" ANSI 125# R.F.	GF80

**Electrical data**

Speed	Max amps [A]			P Max [Watts]	Start amps [A]		
	208-230V	460V	575V★		208-230V	460V	575V★
3	4.00	2.00	1.60	1300	22.80	11.40	9.12
2	3.00	1.50	1.20	1000	17.10	8.55	6.84
1	2.75	▲	▲	950	15.68	▲	▲

▲ All 3-phase, 460V and 575V pumps are 2-speed only.  
★ Canada only.

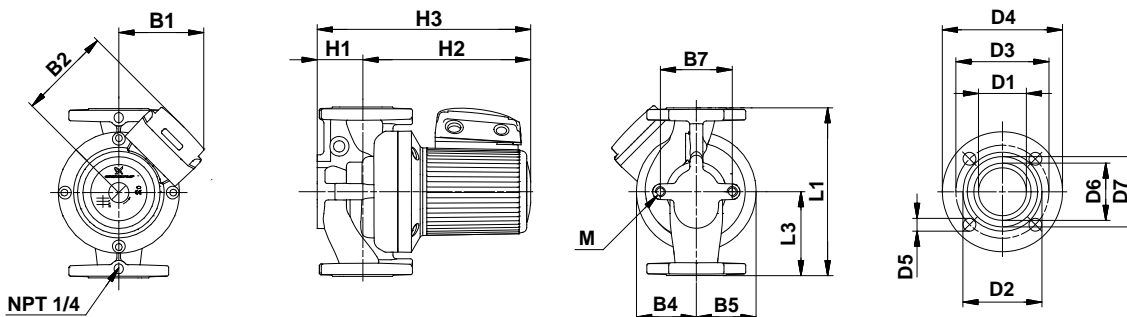
UPS 80-40/4, 3 ph, 208-230 V, 460 V, 575 V★, 60 Hz



TM00 9506 0307

- Flow range: 30 - 200 gpm
- Head range: 1 - 13 ft
- Motor: 4-pole 0.5 Hp
- Max. liquid temp (Open): +140 °F
- Max. liquid temp.: +248 °F
- Min. liquid temp.: +32 °F
- Max. system pressure: 145 psi
- Net wt: 78.7 lbs (35.7 kg)
- Gross wt.: 9.1 lbs (41.3 kg)
- Shipping volume: 2.90 ft³ (0.082 m³)
- Net wt. bronze: 91.9 lbs (41.7 kg)
- Gross wt. bronze: 104.3 lbs (47.3 kg)
- Shipping volume bronze: 2.90 ft³ (0.082 m³)

Note: ETA is calculated as wire-to-water efficiency.



TM02 0730 5100

Dimensions

Model	L1	L3	B1	B2	B4	B5	B7	H1	H2	H3	D1	D2	D3	D4	D5	D6	D7	M
UPS 80-80/4	[in]	19.00	9.50	5.75	6.68	4.94	3.94	6.31	3.81	11.25	15.15	3.19	5.00	6.00	7.56	0.75	—	—
	[mm]	483	241	146	170	125	100	160	97	286	385	81	127	152	192	19	—	—

Product numbers

Model type	Product number		Voltage [V]
	Cast Iron	Bronze	
UPS 80-40/4 (3 ph)	96402894	96402899	208-230
	96402895	96402900	460
	96402896	96402901	575★

Connections

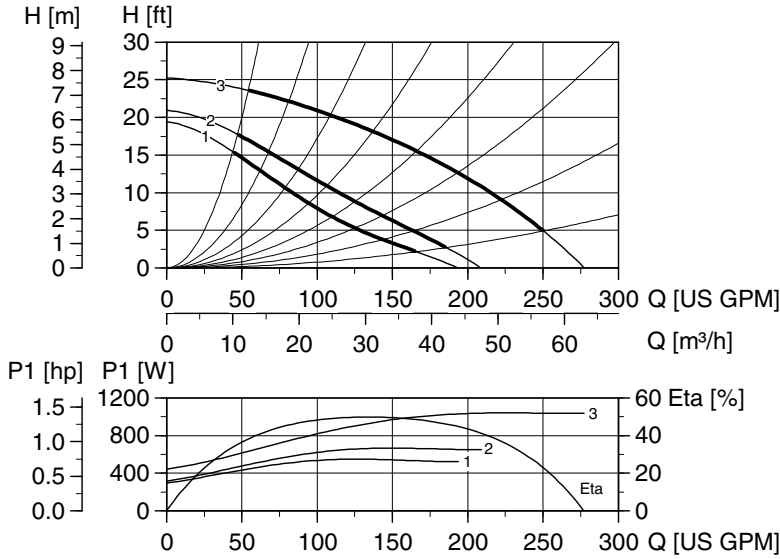
Flange size	Flange type
3" ANSI 125# R.F.	GF80

Electrical data

Speed	Max amps [A]			P Max [Watts]	Start amps [A]		
	208-230V	460V	575V★		208-230V	460V	575V★
3	1.62	0.81	0.65	380	7.10	3.50	2.80
2	0.87	0.44	0.35	260	3.81	1.90	1.52
1	0.77	▲	▲	230	3.37	▲	▲

▲ All 3-phase, 460V and 575V pumps are 2-speed only.  
★ Canada only.

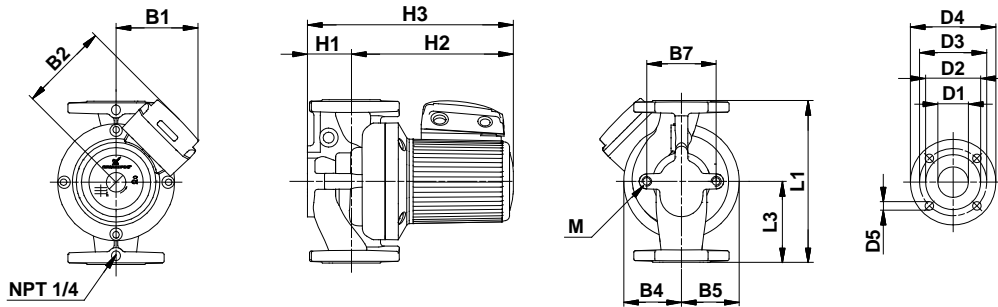
**UPS 80-80/4, 3 ph, 208-230 V, 60 Hz**



TM00 9507 0307

- Flow range: 30 - 260 gpm
- Head range: 1 - 25 ft
- Motor: 4-pole 1.50 Hp
- Max. liquid temp (Open): +140 °F
- Max. liquid temp.: +248 °F
- Min. liquid temp.: +32 °F
- Max. system pressure: 145 psi
- Net wt: 89.7 lbs (40.7 kg)
- Gross wt.: 102.1 lbs (46.3 kg)
- Shipping volume: 2.90 ft³ (0.082 m³)
- Net wt. bronze: 102.3 lbs (46.4 kg)
- Gross wt. bronze: 114.6 lbs (52.0 kg)
- Shipping volume bronze: 2.90 ft³ (0.082 m³)

**Note:** ETA is calculated as wire-to-water efficiency.



TM02 0731 5100

**Dimensions**

Model	L1	L3	B1	B2	B4	B5	B7	H1	H2	H3	D1	D2	D3	D4	D5	D6	D7	M
UPS 80-80/4	[in]	19.00	9.50	5.75	6.68	4.94	3.94	6.31	3.81	11.25	15.15	3.19	5.00	6.00	7.56	0.75	—	—
	[mm]	483	241	146	170	125	100	160	97	286	385	81	127	152	192	19	—	—

**Product numbers**

Model type	Product number		Voltage [V]
	Cast Iron	Bronze	
UPS 80-80/4 (3 ph)	96402908	96402913	208-230

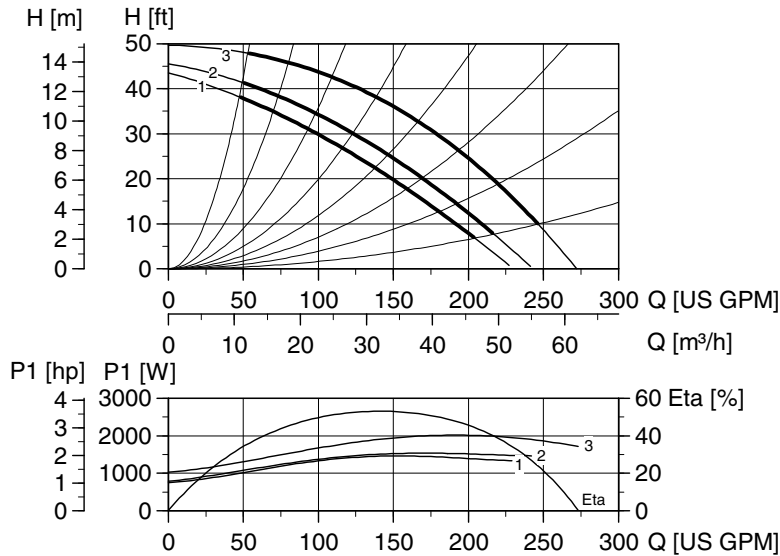
**Connections**

Flange size	Flange type
3" ANSI 125# R.F.	GF80

**Electrical data**

Speed	Max amps [A]	P Max [Watts]	Start amps [A]
	230V		230V
3	3.60	1050	11.80
2	2.08	660	6.82
1	1.72	550	5.64

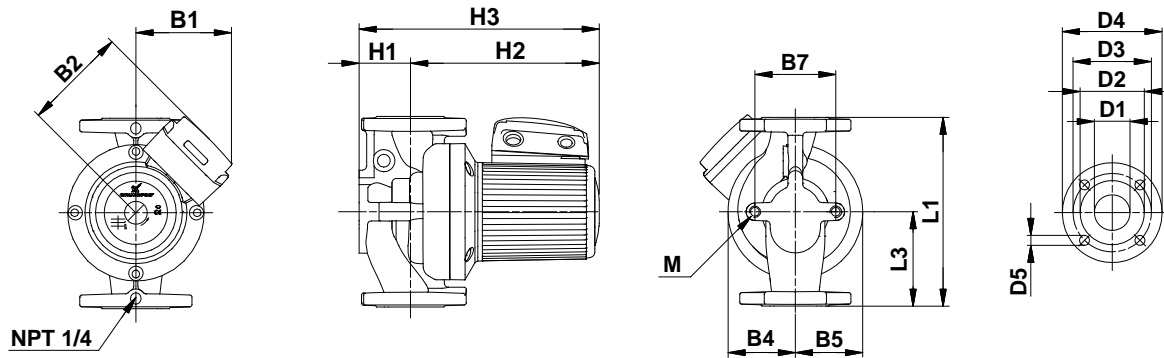
UPS 80-160/2, 3 ph, 208-230 V, 460 V, 575 V★, 60 Hz



TM00 9508 00307

Flow range:	30 - 275 gpm
Head range:	1 - 49 ft
Motor:	2-pole 3.00 Hp
Max. liquid temp (Open):	+140 °F
Max. liquid temp.:	+248 °F
Min. liquid temp.:	+32 °F
Max. system pressure:	145 psi
Net wt:	85.1 lbs (38.6 kg)
Gross wt.:	97.4 lbs (44.2 kg)
Shipping volume:	2.90 ft <sup>3</sup> (0.082 m <sup>3</sup> )
Net wt. bronze:	97.2 lbs (44.1 kg)
Gross wt. bronze:	109.6 lbs (49.7 kg)
Shipping volume bronze:	2.90 ft <sup>3</sup> (0.082 m <sup>3</sup> )

Note: ETA is calculated as wire-to-water efficiency.



TM02 0731 5100

Dimensions

Model	L1	L3	B1	B2	B4	B5	B7	H1	H2	H3	D1	D2	D3	D4	D5	D6	D7	M
UPS 80-160/2	[in]	19.00	9.50	5.75	6.68	3.94	3.94	6.31	3.81	11.31	15.20	3.19	5.00	6.00	7.56	0.75	—	—
	[mm]	483	241	146	170	100	100	160	97	287	386	81	127	152	192	19	—	—

Product numbers

Model type	Product number		Voltage [V]
	Cast Iron	Bronze	
UPS 80-160/2 (3 ph)	96402920	96402923	208-230
	96402921	96402924	460
	96402922	96402925	575★

Connections

Flange size	Flange type
3" ANSI 125# R.F.	GF80

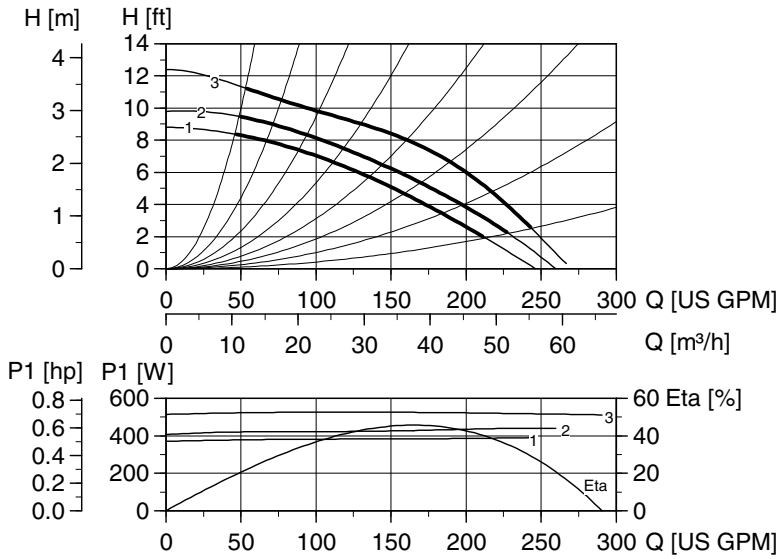
Electrical data

Speed	Max amps [A]			P Max [Watts]	Start amps [A]		
	208-230V	460V	575V★		208-230V	460V	575V★
3	6.35	3.13	2.54	2050	31.00	15.40	12.32
2	4.20	2.10	1.68	1550	20.50	10.17	8.14
1	4.05	▲	▲	1500	19.77	▲	▲

▲ All 3-phase, 460V and 575V pumps are 2-speed only.  
★ Canada only.



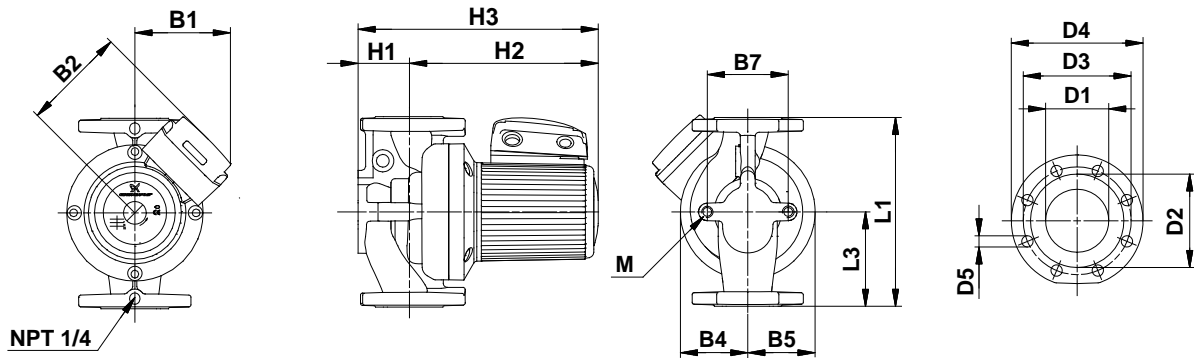
**UPS 100-40/4, 3 ph, 208-230 V, 460 V, 575 V★, 60 Hz**



TM00 9509 0307

- Flow range: 30 - 270 gpm
- Head range: 1 - 12 ft
- Motor: 4-pole, 1.00 Hp
- Max. liquid temp (Open): +140 °F
- Max. liquid temp.: +248 °F
- Min. liquid temp.: +32 °F
- Max. system pressure: 145 psi
- Net wt: 126.8 lbs (57.5 kg)
- Gross wt.: 138.9 lbs (63.0 kg)
- Shipping volume: 3.53 ft³ (0.1 m³)
- Net wt. bronze: 153.2 lbs (69.5 kg)
- Gross wt. bronze: 165.3 lbs (75.0 kg)
- Shipping volume bronze: 3.53 ft³ (0.1 m³)

Note: ETA is calculated as wire-to-water efficiency.



TM02 0732 5100

**Dimensions**

Model	L1	L3	B1	B2	B4	B5	B7	H1	H2	H3	D1	D2	D3	D4	D5	D6	D7	M
UPS 100-40/4	[in]	21.00	10.50	5.75	6.68	5.13	3.94	6.31	4.81	12.31	16.61	4.19	6.19	7.50	9.06	0.75	—	—
	[mm]	533	267	146	170	130	100	160	122	313	422	106	157	191	230	19	—	—

**Product numbers**

Model type	Product number		Voltage [V]
	Cast Iron	Bronze	
UPS 100-40/4 (3 ph)	96402934	96402937	208-230
	96402935	96402938	460
	96402936	96401961	575★

**Connections**

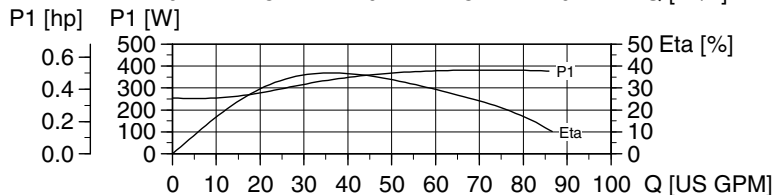
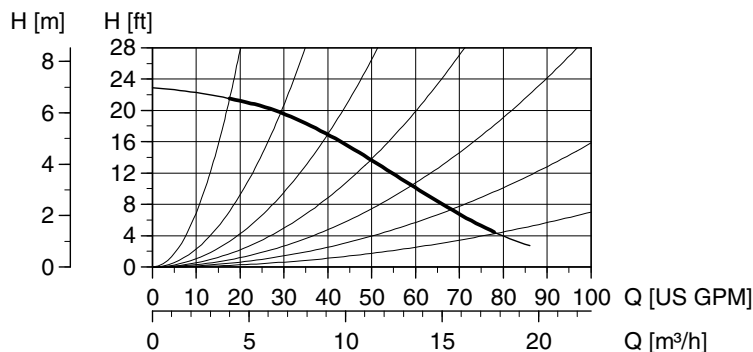
Flange size	Flange type
4" ANSI 125# R.F.	GF100

**Electrical data**

Speed	Max amps [A]			P Max [Watts]	Start amps [A]		
	208-230V	460V	575V★		208-230V	460V	575V★
3	2.50	1.24	1.00	570	10.80	5.40	4.32
2	1.38	0.70	0.55	435	5.96	3.05	2.44
1	1.24	▲	▲	390	5.36	▲	▲

▲ All 3-phase, 460V and 575V pumps are 2-speed only.  
★ Canada only.

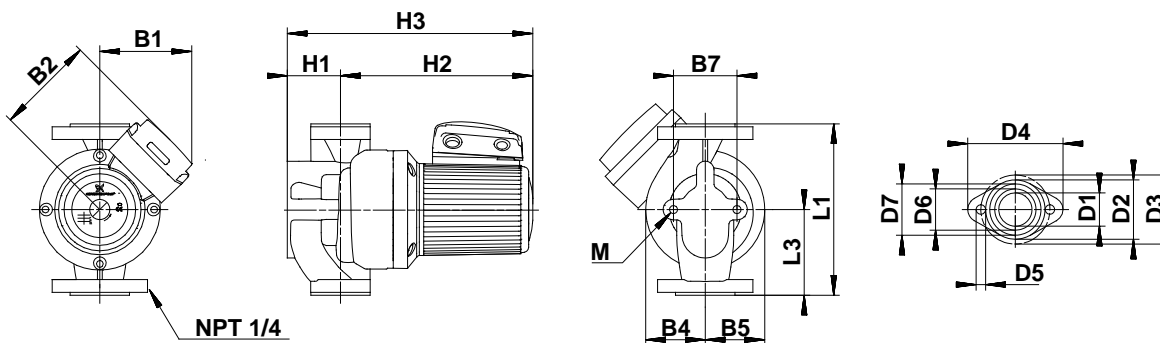
**UP 43-70, 1 ph, 115 V / 230 V, 60 Hz**



TM02 0079 0307

- Flow range: 15 - 100 gpm
- Head range: 1 - 23 ft
- Motor: 2-pole 0.50 Hp
- Max. liquid temp (Open): +140 °F
- Max. liquid temp.: +230 °F
- Min. liquid temp.: +32 °F
- Max. system pressure: 145 psi
- Net wt: 33.1 lbs (15.0 kg)
- Gross wt.: 41.2 lbs (18.7 kg)
- Shipping volume: 1.70 ft<sup>3</sup> (0.048 m<sup>3</sup>)

**Note:** ETA is calculated as wire-to-water efficiency.



TM02 0120 4301

**Dimensions**

Model	L1	L3	B1	B2	B4	B5	B7	H1	H2	H3	D1	D2	D3	D4	D5	D6	D7	M
UP 43-70	[in]	8.50	4.25	5.25	5.56	2.94	2.94	3.13	2.63	9.63	12.23	1.63	2.31	3.42	4.75	0.50	2.06	2.50
	[mm]	216	108	133	141	75	75	79	67	244	311	41	59	87	121	13	52	64

**Product numbers**

Model type	Product number	Voltage [V]
	Cast Iron	
UP 43-70 (1 ph)	96439644	115/230

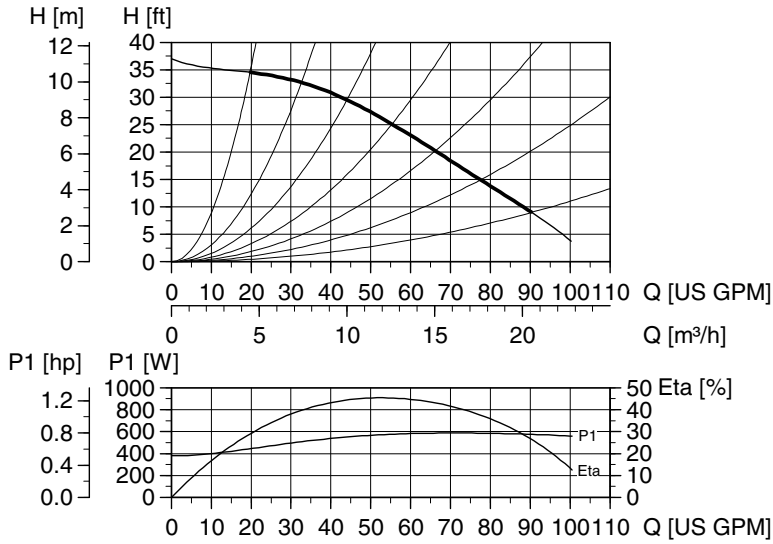
**Connections**

Flange size	Flange type
1.50" non ANSI 2 bolt w/ (2) 0.5" dia. holes	GF 40/43

**Electrical data**

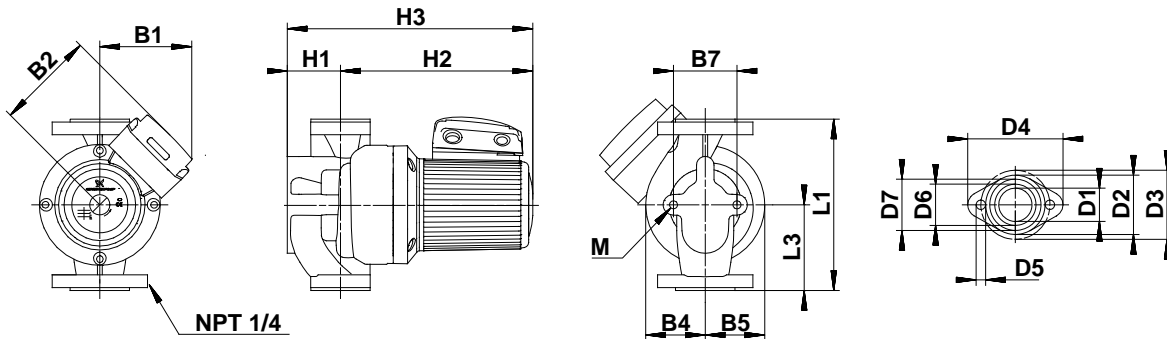
Max amps [A]		P Max [Watts]
115V	230V	
3.4	1.8	400

**UP 43/110, 1 ph, 115 V / 230 V, 60 Hz**



TM02 0076 0307

**Note:** ETA is calculated as wire-to-water efficiency.



TM02 0120 3902

**Dimensions**

Model	L1	L3	B1	B2	B4	B5	B7	H1	H2	H3	D1	D2	D3	D4	D5	D6	D7	M
UP 43-110	[in]	8.50	4.25	5.25	5.56	2.94	2.94	3.13	2.63	9.63	12.23	1.63	2.94	3.42	4.75	0.50	2.06	2.50
	[mm]	216	108	133	141	75	75	79	67	244	311	41	75	87	121	13	52	64

**Product numbers**

Model type	Product number	Voltage [V]
	Cast Iron	
UP 43-100 (1 ph)	96436943	115/230

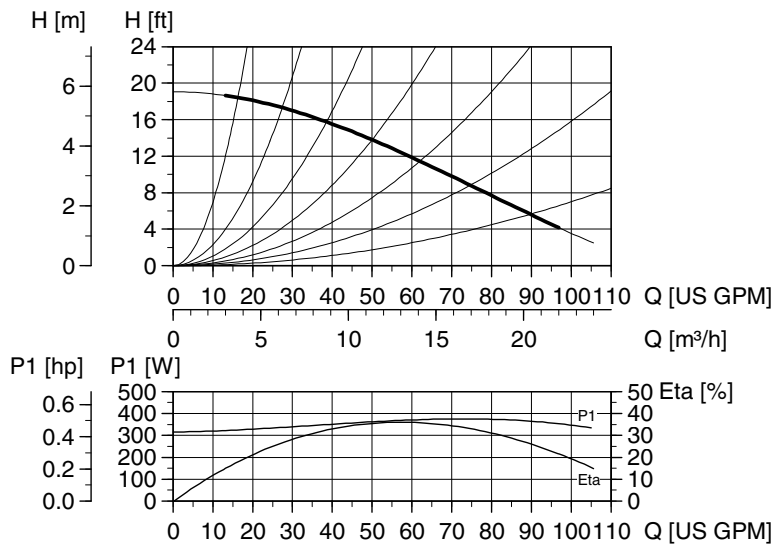
**Connections**

Flange size	Flange type
1.50" non ANSI 2 bolt w/ (2) 0.5" dia. holes	GF 40/43

**Electrical data**

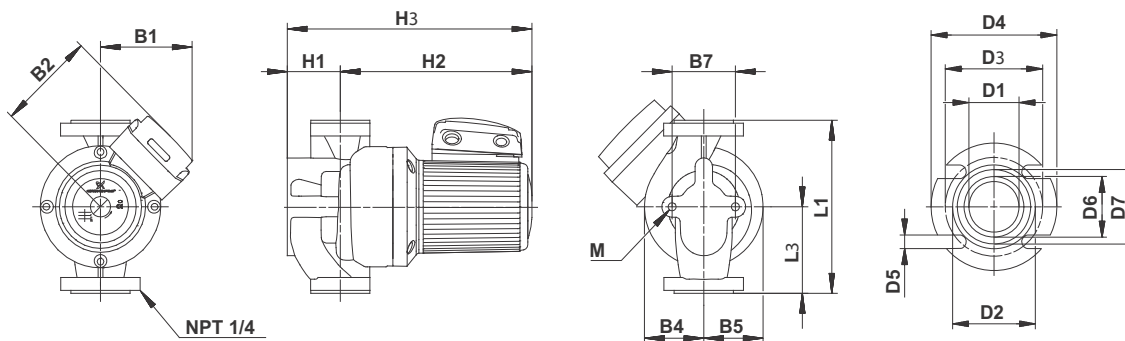
	Max amps [A]		P Max [Watts]
	115V	230V	
	4.9	2.5	570

**UP 53-45, 1 ph, 115 V / 230 V, 60 Hz**



TM03 5370 0307

**Note:** ETA is calculated as wire-to-water efficiency.



TM03 7230 1608

**Dimensions**

Model	L1	L3	B1	B2	B4	B5	B7	H1	H2	H3	D1	D2	D3	D4	D5	D6	D7	M
UP 53-45	[in]	9.88	5.00	5.25	5.56	3.56	2.94	4.75	2.94	9.88	12.86	2.06	4.19	5.00	6.00	0.63	3.50	4.00
	[mm]	251	127	133	141	90	75	121	75	251	327	52	106	127	152	16	89	102

**Product numbers**

Model type	Product number		Voltage [V]
	Cast Iron	Bronze	
UP 53-45 (1 ph)	96633576	96633578	115/230

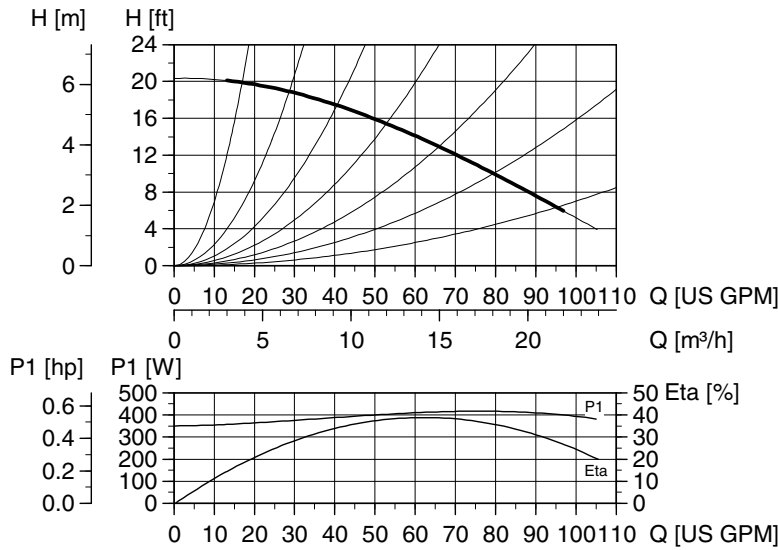
**Connections**

Flange size	Flange type
2.0", 2.5", 3.0" non ANSI 4 bolt w/ (4) 0.63" dia. holes	GF 53

**Electrical data**

	Max amps [A]		P Max [Watts]
	115V	230V	
	3.5	1.9	360

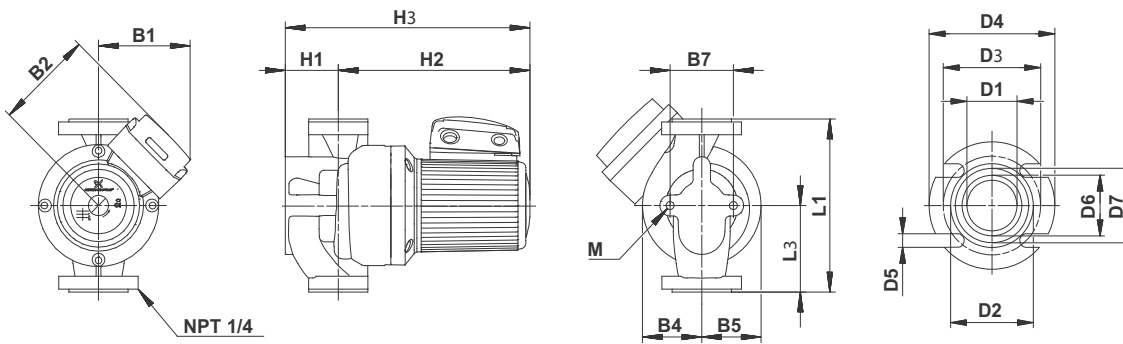
**UP 53-46, 1 ph, 115 V / 230 V, 60 Hz**



TM03 5371 0307

- Flow range: 15 - 105 gpm
- Head range: 1 - 37 ft
- Motor: 2-pole 0.75 Hp
- Max. liquid temp (Open): +140 °F
- Max. liquid temp.: +230 °F
- Min. liquid temp.: +32 °F
- Max. system pressure: 145 psi
- Net wt: 44.5 lbs (20.2 kg)
- Gross wt.: 63.5 lbs (23.8 kg)
- Shipping volume: 2.10 ft³ (0.06 m³)
- Net wt. bronze: 49.2 lbs (22.3 kg)
- Gross wt. bronze: 57.1 lbs (25.9 kg)
- Shipping volume bronze: 2.10 ft³ (0.06 m³)

**Note:** ETA is calculated as wire-to-water efficiency.



TM03 7230 1608

**Dimensions**

Model	L1	L3	B1	B2	B4	B5	B7	H1	H2	H3	D1	D2	D3	D4	D5	D6	D7	M
UP 53-46	[in]	9.88	5.00	5.25	5.56	3.56	2.94	4.75	2.94	9.88	12.86	2.06	4.19	5.00	6.00	0.63	3.50	4.00
	[mm]	251	127	133	141	90	75	121	75	251	327	52	106	127	152	16	89	102

**Product numbers**

Model type	Product number		Voltage [V]
	Cast Iron	Bronze	
UP 53-46 (1 ph)	96633591	96633592	115/230

**Connections**

Flange size	Flange type
2.0", 2.5", 3.0" non ANSI 4 bolt w/ (4) 0.63" dia. holes	GF 53

**Electrical data**

	Max amps [A]		P Max [Watts]
	115V	230V	
	3.9	2.1	420

# 10. Accessories and spare parts

## Packaged fitting sets

	Pump connection	Pipe connection type & size	Product number	Approx. ship. wt. (lb/oz.)	
		NPT			
Flange sets★	Cast iron	GF 15/26 flange	3/4	519601	2 lb 4 oz.
			1	519602	2 lb 4 oz.
			1-1/4	519603	2 lb 2 oz.
			1-1/2	519604	2 lb 2 oz.
		GF 40/43 flange	1-1/2	539605	2 lb 7 oz.
		GF 50 flange	2	96409354	6.5 lb
			2	91584910	12 lb
		GF 53 flange	2-1/2	91584911	12 lb
			3	91584912	12 lb
		GF 65 flange	2-1/2	559601	16 lb
	GF 80 flange	3	569601	19 lb	
	GF 100 flange	4	579801	33 lb	
	Bronze	GF 15/26 flange	3/4	519651	2 lb 2 oz.
			1	519652	2 lb 3 oz.
			1-1/4	96409356	2 lb 1 oz.
		GF 40/43 flange	1-1/2	539615	3 lb
		GF 50 flange	2	96409355	6.3 lb
			2	91584913	12 lb
GF 53 flange		2-1/2	91584914	12 lb	
		3	91584915	12 lb	
GF 80 flange	3	569611	20 lb		
GF 100 flange	4	96409357	30 lb		

★ Flange sets include: 2 each - flanges, gaskets, bolts with nuts.

## Flange adapter

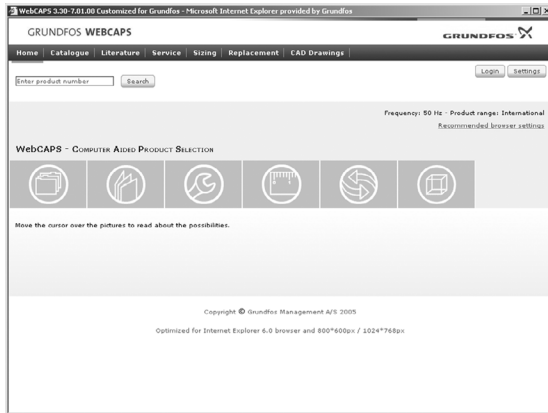


## Terminal box electrical components

For use with these pumps	Description	Product number
1-phase x 115/230 V UPS 3-phase x 208-230 V UPS	Speed plug for 3-speed	96401124 96401001
1-phase x 115 V UPS 1-phase x 230 V UPS 3-phase x 208-230 V UPS	Power head relay module	96409246 96409247 96409250
1-phase x 115 V 1-phase x 230 V 3-phase x 208-230 V	Protection module service	96427457 96427458 96427459

# 11. Further documentation

## WebCAPS

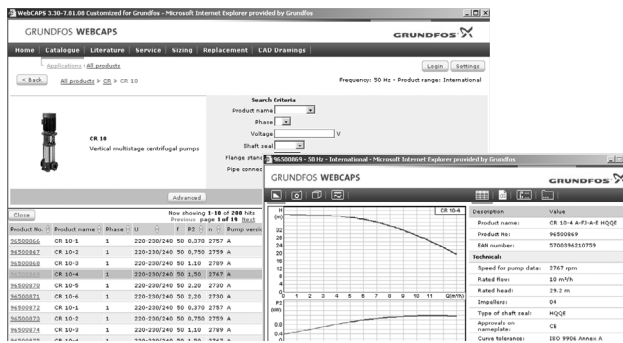


WebCAPS is a **Web-based Computer Aided Product Selection** program available on [www.grundfos.com](http://www.grundfos.com).

WebCAPS contains detailed information on more than 185,000 Grundfos products in more than 20 languages.

In WebCAPS, all information is divided into 6 sections:

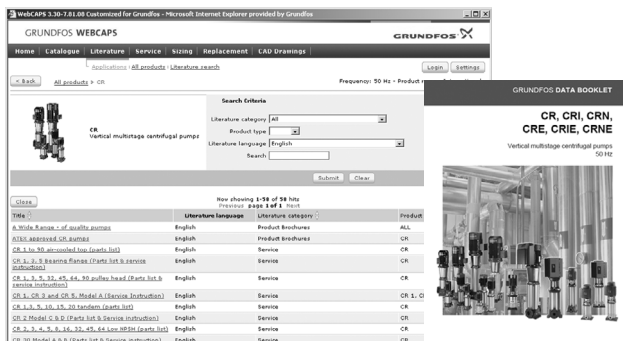
- Catalog
- Literature
- Service
- Sizing
- Replacement
- CAD drawings.



### Catalog

This section is based on fields of application and pump types, and contains

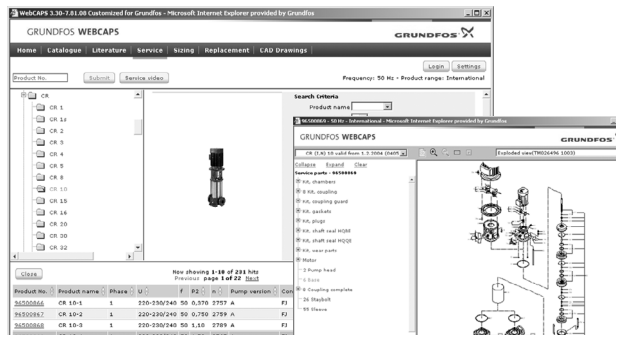
- technical data
- curves (QH, Eta, P1, P2, etc) which can be adapted to the density and viscosity of the pumped liquid and show the number of pumps in operation
- product photos
- dimensional drawings
- wiring diagrams
- quotation texts, etc.



### Literature

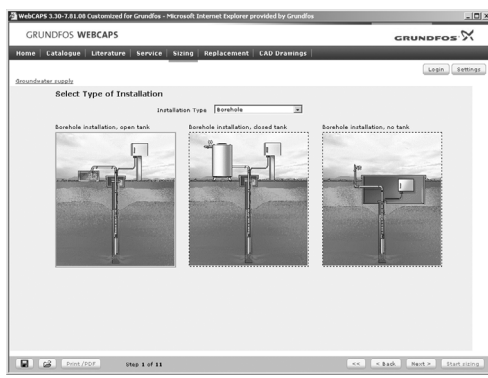
In this section you can access all the latest documents of a given pump, such as

- product guides
- installation and operating instructions
- service documentation, such as Service kit catalog and Service kit instructions
- quick guides
- product brochures, etc.



### Service

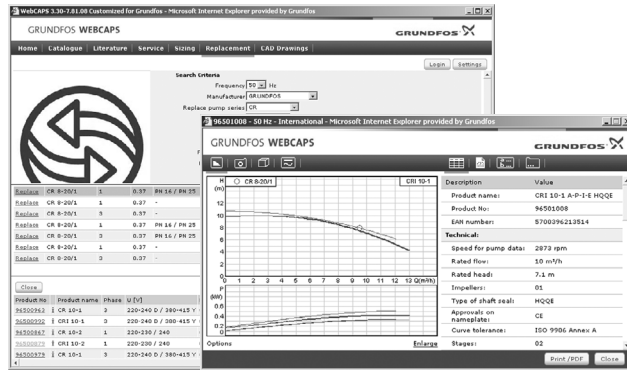
This section contains an easy-to-use interactive service catalog. Here you can find and identify service parts of both existing and discontinued Grundfos pumps. Furthermore, this section contains service videos showing you how to replace service parts.



**Sizing**

This section is based on different fields of application and installation examples, and gives easy step-by-step instructions in how to

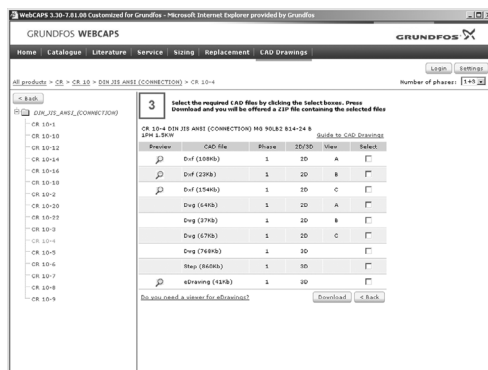
- select the most suitable and efficient pump for your installation
- carry out advanced calculations based on energy consumption, payback periods, load profiles, life cycle costs, etc.
- analyse your selected pump via the built-in life cycle cost tool
- determine the flow velocity in wastewater applications, etc.



**Replacement**

In this section you find a guide to selecting and comparing replacement data of an installed pump in order to replace the pump with a more efficient Grundfos pump. The section contains replacement data of a wide range of pumps produced by other manufacturers than Grundfos.

Based on an easy step-by-step guide, you can compare Grundfos pumps with the one you have installed on your site. When you have specified the installed pump, the guide will suggest a number of Grundfos pumps which can improve both comfort and efficiency.



**CAD drawings**

In this section it is possible to download 2-dimensional (2D) and 3-dimensional (3D) CAD drawings of most Grundfos pumps.

These formats are available in WebCAPS:

2-dimensional drawings:

- .dxf, wireframe drawings
- .dwg, wireframe drawings.

3-dimensional drawings:

- .dwg, wireframe drawings (without surfaces)
- .stp, solid drawings (with surfaces)
- .eprt, E-drawings.

**WinCAPS**



Fig. 14 WinCAPS CD-ROM

WinCAPS is a **Windows-based Computer Aided Product Selection** program containing detailed information on more than 185,000 Grundfos products in more than 20 languages.

The program contains the same features and functions as WebCAPS, but is an ideal solution if no Internet connection is available.

WinCAPS is available on CD-ROM and updated once a year.









<b>L-UPS-PG-01</b> 0612
-------------------------

ECM: -
--------

Subject to alterations.

The name Grundfos, the Grundfos logo, and the payoff Be-Think-Innovate are registered trademarks owned by Grundfos Management A/S or Grundfos A/S, Denmark. All rights reserved worldwide.