

MAGNA3

VALID FROM MODEL D



3191277

Conforms to ANSI/UL Std. 778
Certified to CAN/CSA Standard C22.2 No. 108

Further product
documentation




net.grundfos.com/qr/i/99332342

be
think
innovate


GRUNDFOS 




Max. 95 % RH 
Enclosure Type 2




Min./Max.
+14°F – 230°F (-10°C – 110°C) 

PN 12: 175 psi/1.2 MPa 

Min./Max.
+32°F – +104°F (0°C – 40°C) 

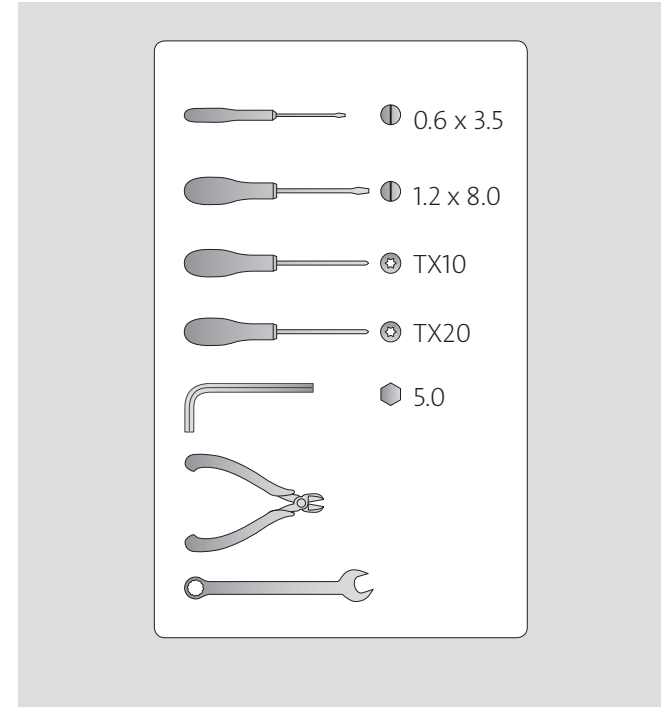
< 39 dB(A) 

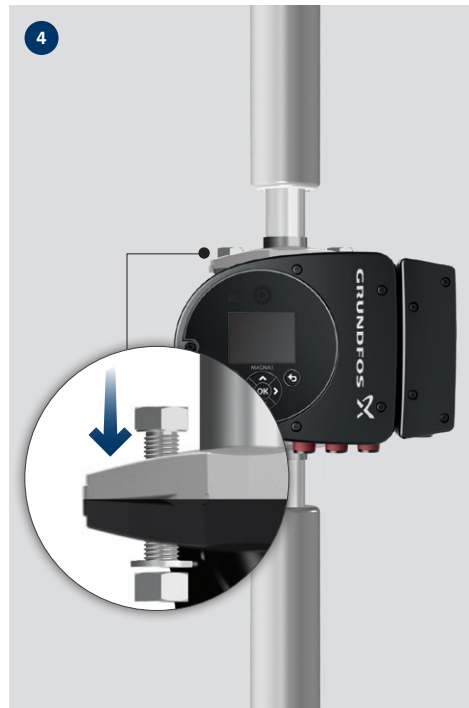
CAUTION: Electrical cord should hang free and must not touch parts that are above 167°F (75°C). 

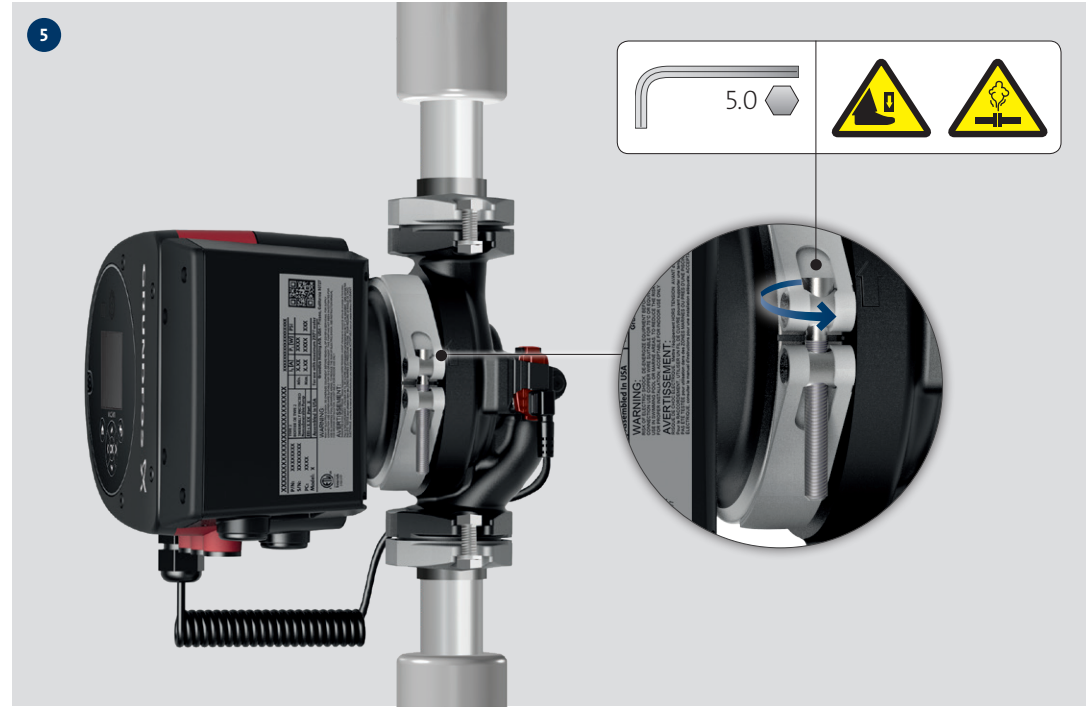
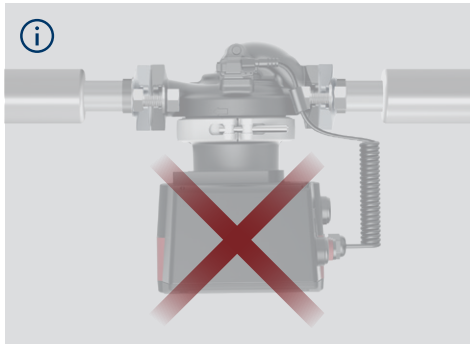
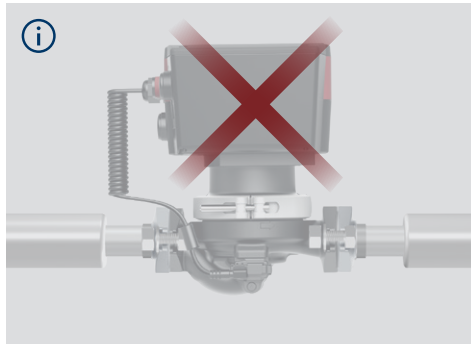
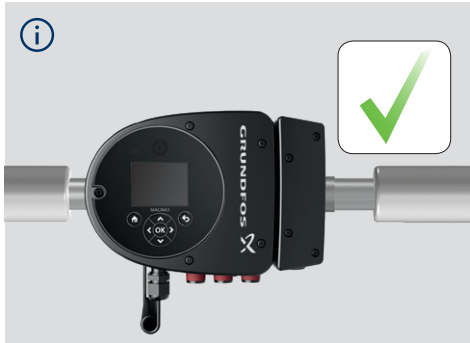
MISE EN GARDE: Le cordon électrique doit être libre de support et ne doit pas toucher les pièces qui sont au-dessus de 167 ° F (75 ° C).

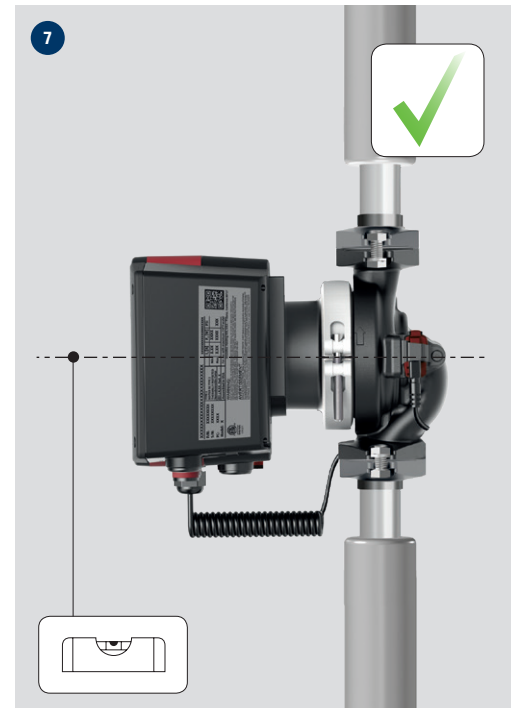
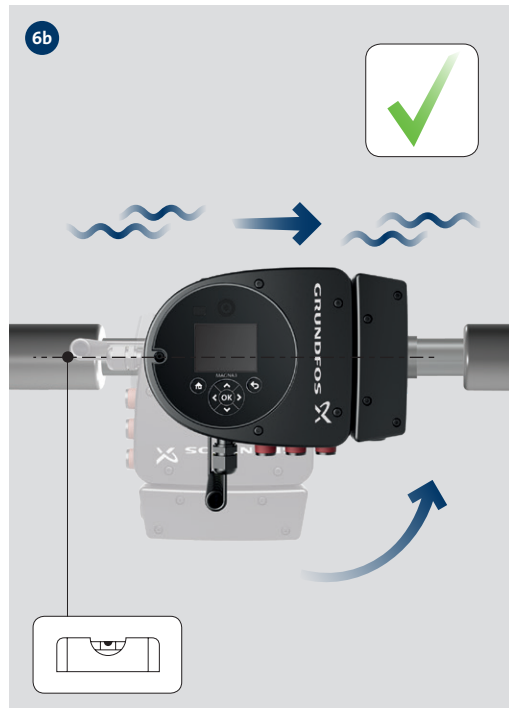
PRECAUCIÓN: El cable eléctrico debe colgar libremente y no debe tocar partes que estén por encima de los 167 ° F (75 ° C).





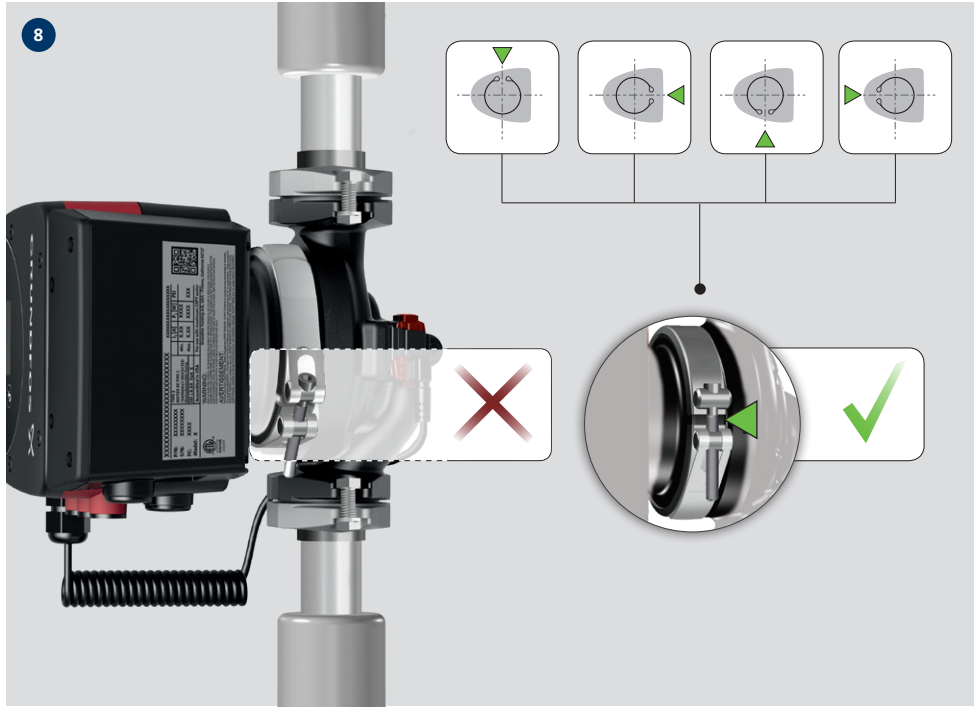




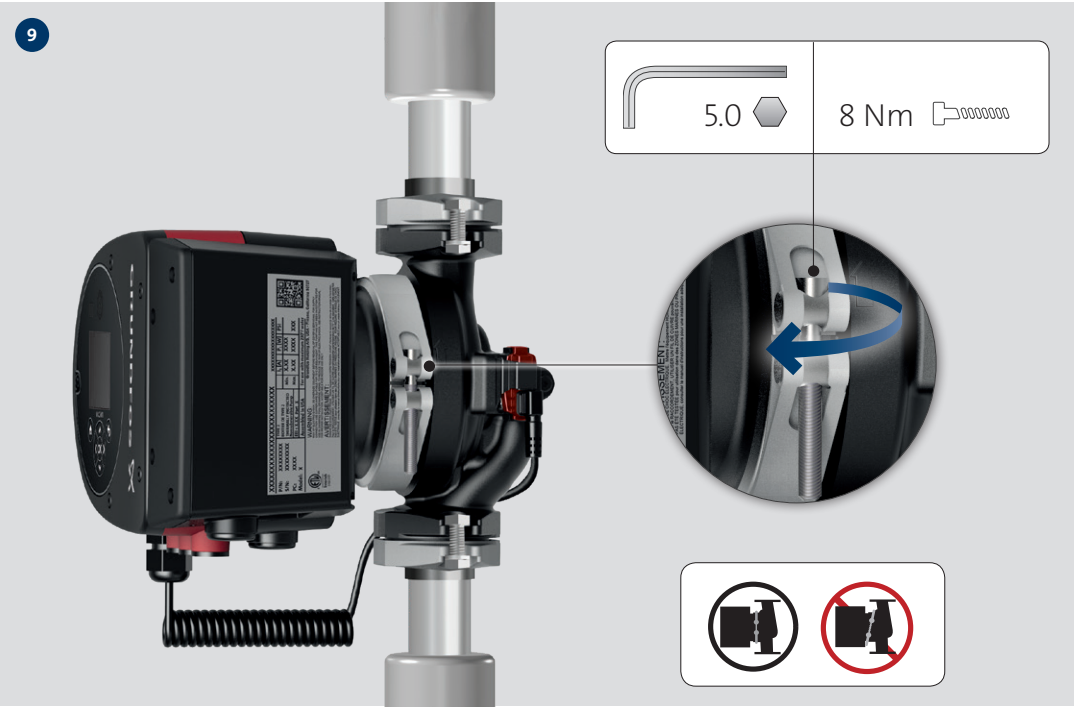




8

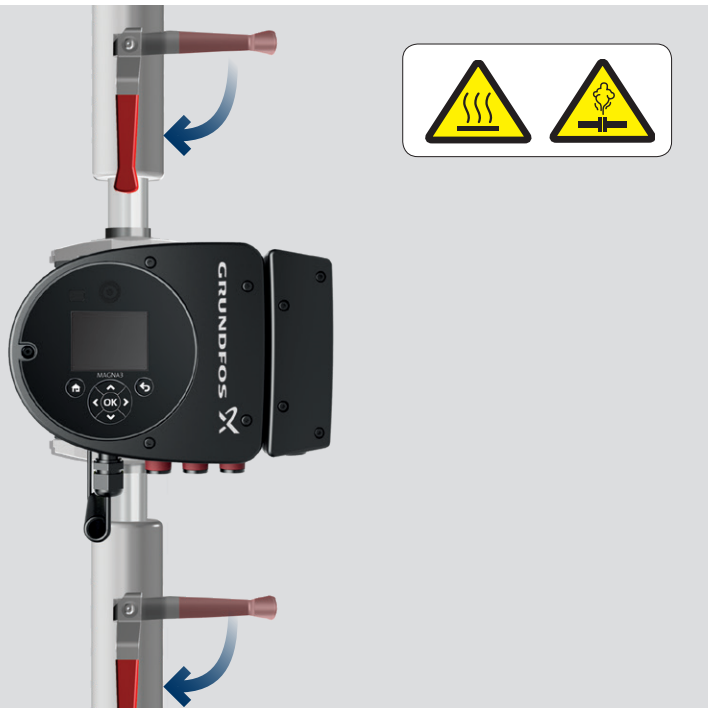


9





10



11

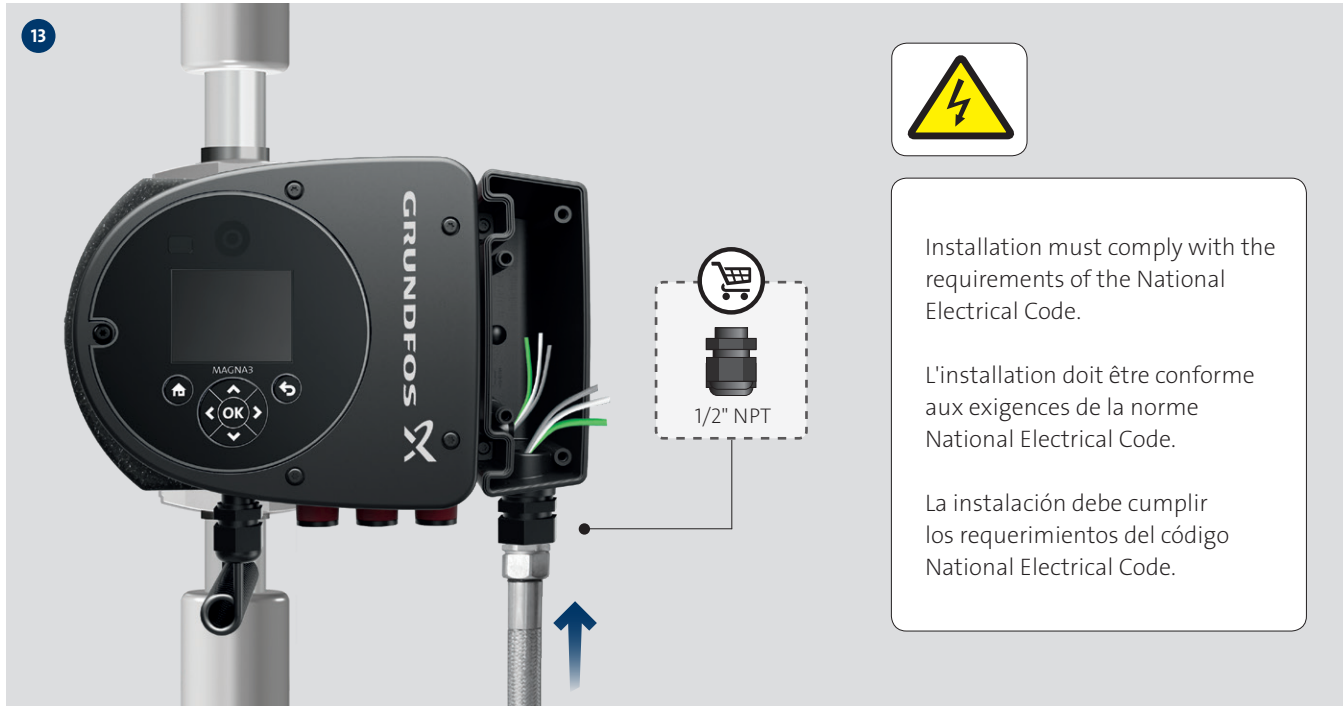




12



13

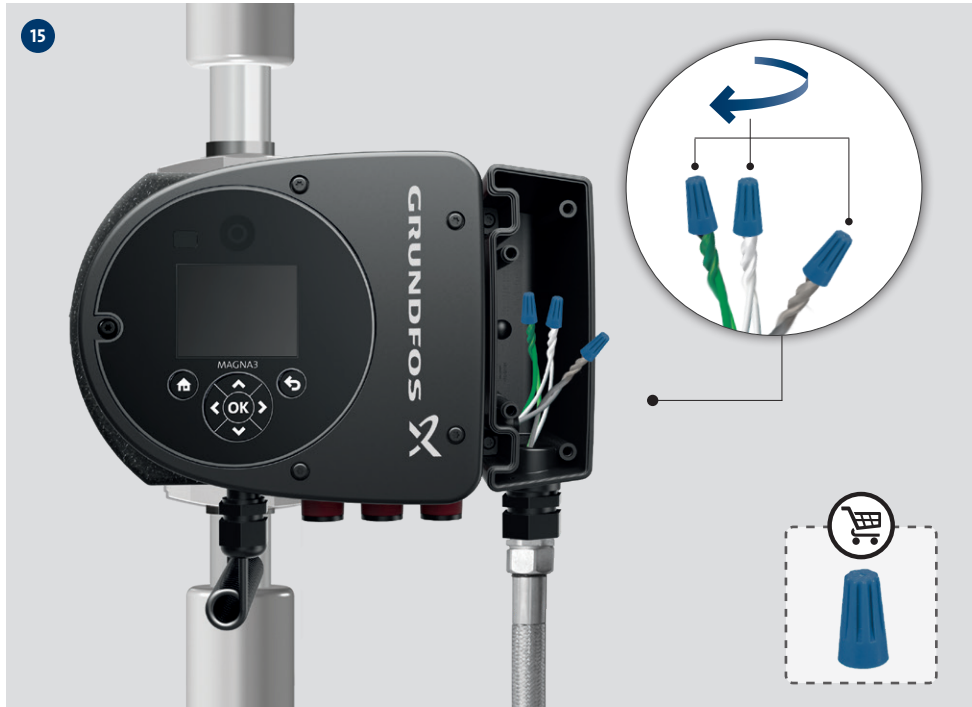




14



15

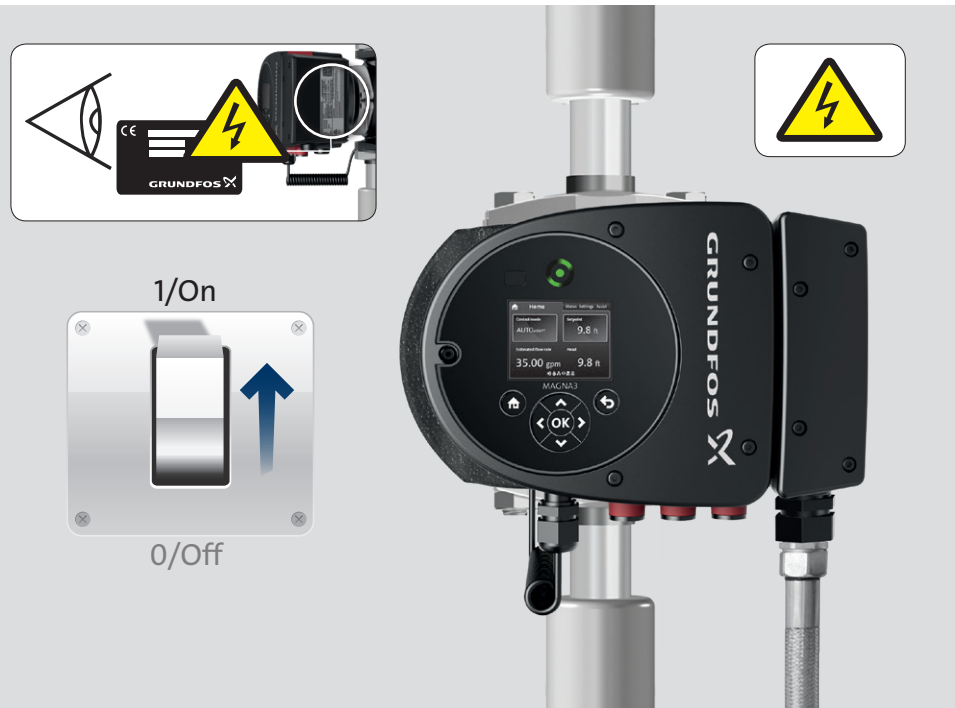




16



17



18



Power cycle: Max. 4 starts per 60 minutes
Cycle de puissance: Max. 4 démarrages par 60 minutes
Ciclo de energía: Max. 4 arranques por 60 minutos

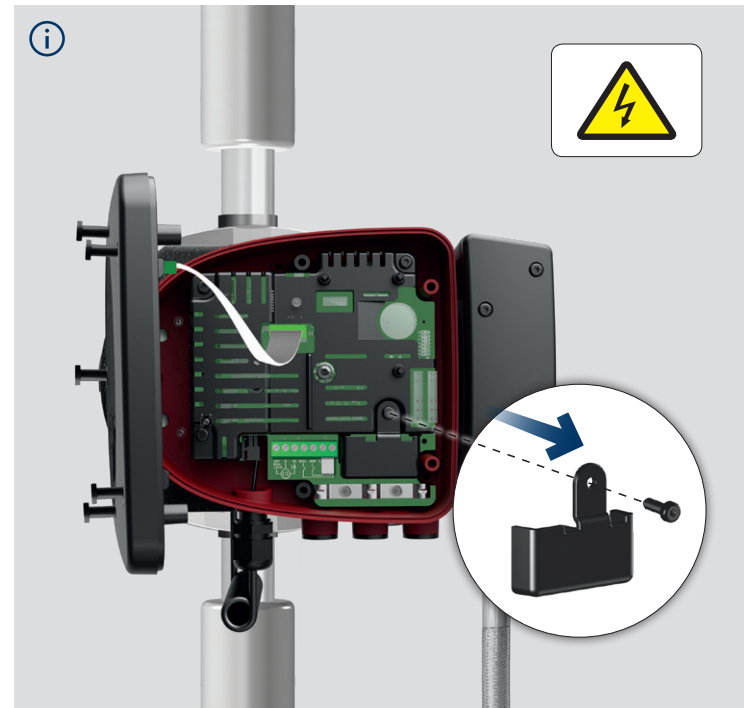
19

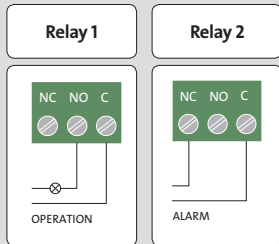
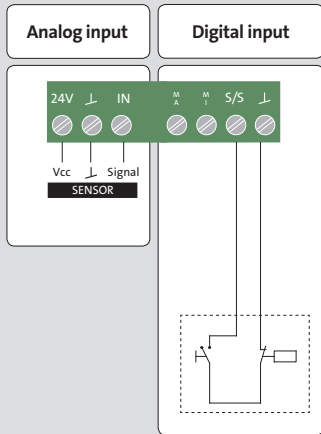


Further product documentation
 Documentation supplémentaire
 Información adicional de producto



net.grundfos.com/qr/i/99332342

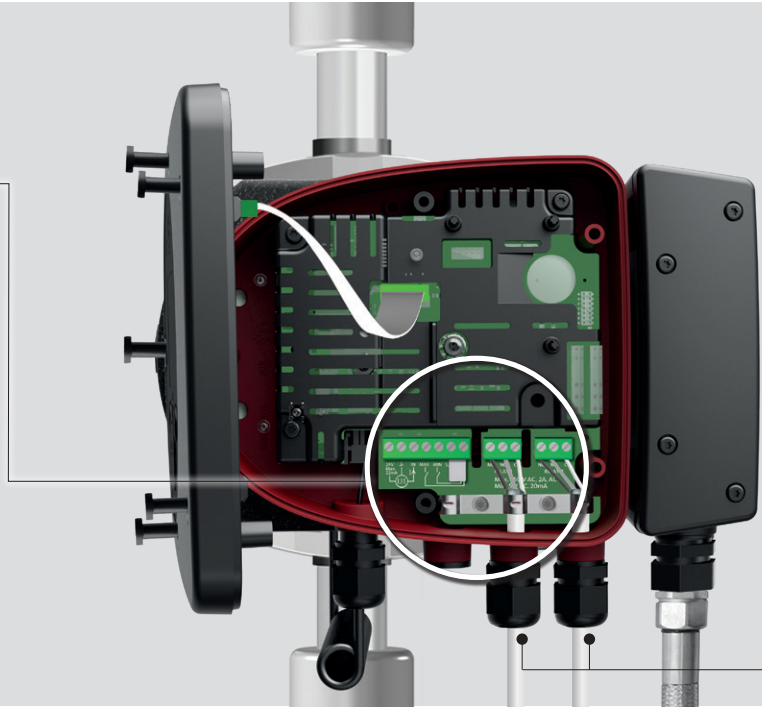




Use C and NC for fault signals as this enables serial connections of more relays and detection of signal cable defects.

Utiliser C et NC pour les signaux de défaut, car cela active les connexions en série de plusieurs relais et la détection des défauts des câbles de signaux.

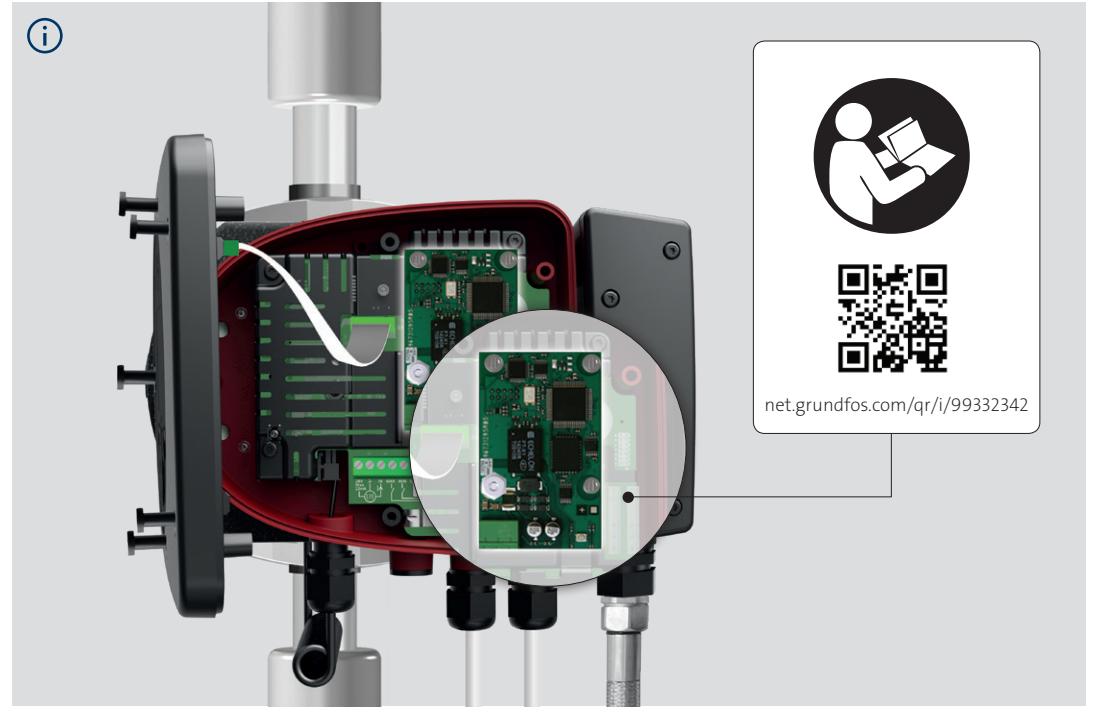
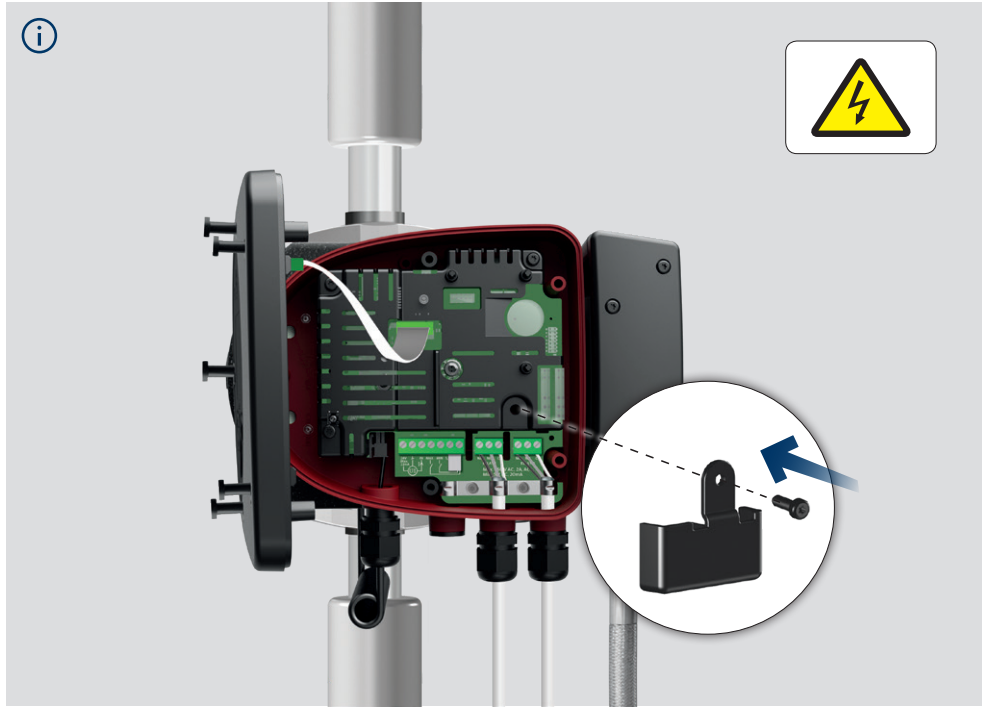
Use las salidas C y NC para las señales de falla; esto permitirá conectar en serie más relevadores y detectar posibles problemas del cable de señal.

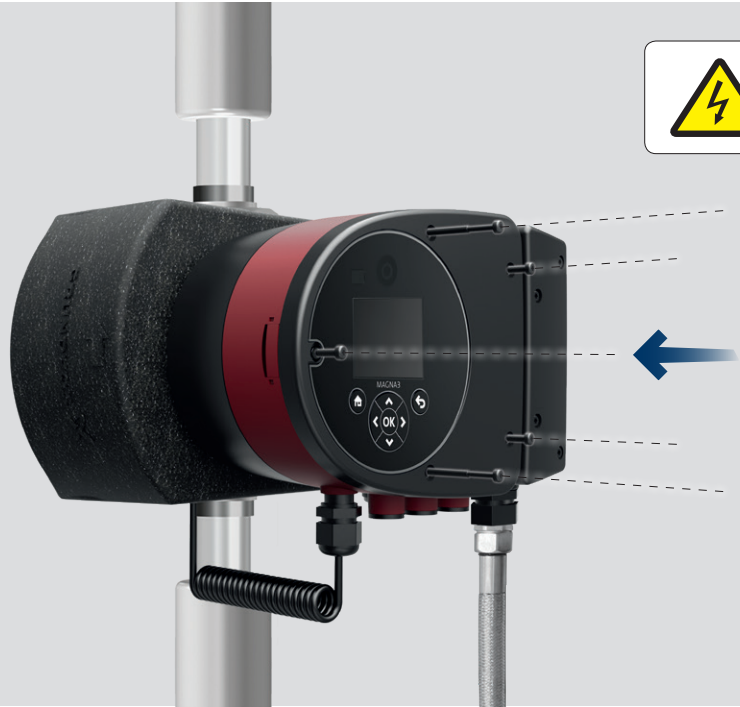


net.grundfos.com/qr/i/99332342



M16





Installation date: _____

Installer: _____

GRUNDFOS Kansas City
17100 West 118th Terrace
Olathe, Kansas 66061
Phone: (913) 227-3400
Fax: (913) 227-3500
www.grundfos.us

GRUNDFOS Canada
2941 Brighton Road
Oakville, Ontario L6H 6C9
Canada
Phone: +1-905 829 9533
Fax: +1-905 829 9512
www.grundfos.ca

GRUNDFOS Mexico
Boulevard TLC No. 15
Parque Industrial Stiva
Aeropuerto
C.P. 66600 Apodaca, N.L.
Mexico
Phone: 011-52-81-8144 4000
Fax: 011-52-81-8144 4010
www.grundfos.mx

99439715 0718

ECM: 1239433

Trademarks displayed in this material, including but not limited to Grundfos, the Grundfos logo and "be think innovate", are registered trademarks owned by The Grundfos Group. All rights reserved.

© 2018 Grundfos Holding A/S, all rights reserved.