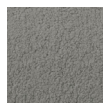
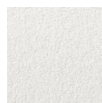


# Labrador Chair



Auckland  
Bluff

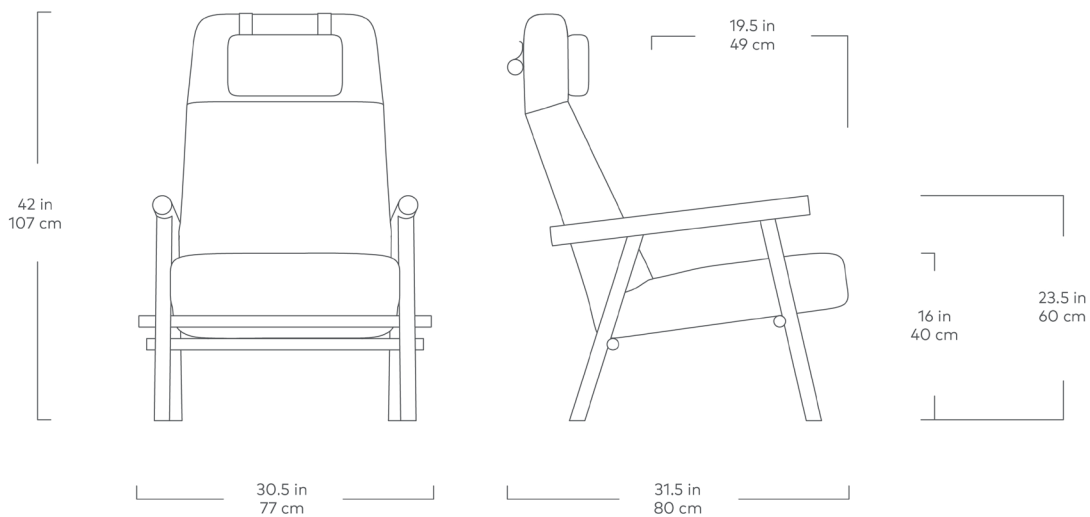


Auckland  
Willow

A rugged, eco-friendly take on modernism, the Labrador is a unique accent chair that invokes calm and lightness, with elements reduced to their essential forms. Its Scandinavian-inspired look is achieved using natural materials like solid ash and hand-stitched leather. Wood is FSC®-Certified to support responsible forest management, and faux-wool coverings are made from 100% recycled plastic bottles, diverted from landfills and waterways, then repurposed into a plush upholstery material. The headrest can be adjusted using a clever leather and wood counterweight to achieve optimal lounging position. An optional, matching footrest is available.

Design Trade Professionals: We aim to keep our designs in stock and ready to ship quickly for projects on a tight timeline. Designs may be customized with COM and alternate finishes (minimum quantities may apply). Visit [gusmodern.com](https://gusmodern.com) for more information about our Trade & Contract programs.

# Labrador Chair



- Faux wool fabric is 100% recycled PET, eco-friendly and upcycled from 94 recycled plastic water bottles.
- Solid wood dowel frame features armrests and base crafted from solid ash.
- Frame is 100% FSC®-Certified in support of responsible forest management (FSC® 092551).
- Clear coat finish on all dowels.
- One piece seat and back and headrest is crafted with high resiliency medium density polyurethane foam.
- Webbed suspension system for comfort.
- Removable, adjustable headrest features a solid wood dowel counterweight with leather straps in Canyon Whiskey leather.
- Wood is a natural material, with variations in grain pattern and colour that make each design unique.
- Tack glide feet on legs to protect hardwood floors.
- Manufactured to meet California TB117-2013 fire safety standards without the use of flame retardant additives in the upholstery foam.
- All fabric is California TB117-2013 certified and double rub tested.
- Our leathers have been chosen for their raw, natural beauty. They may have distinct surface characteristics, natural markings, and colour variations which differ from hide to hide and from one product to another, making each leather product unique.

