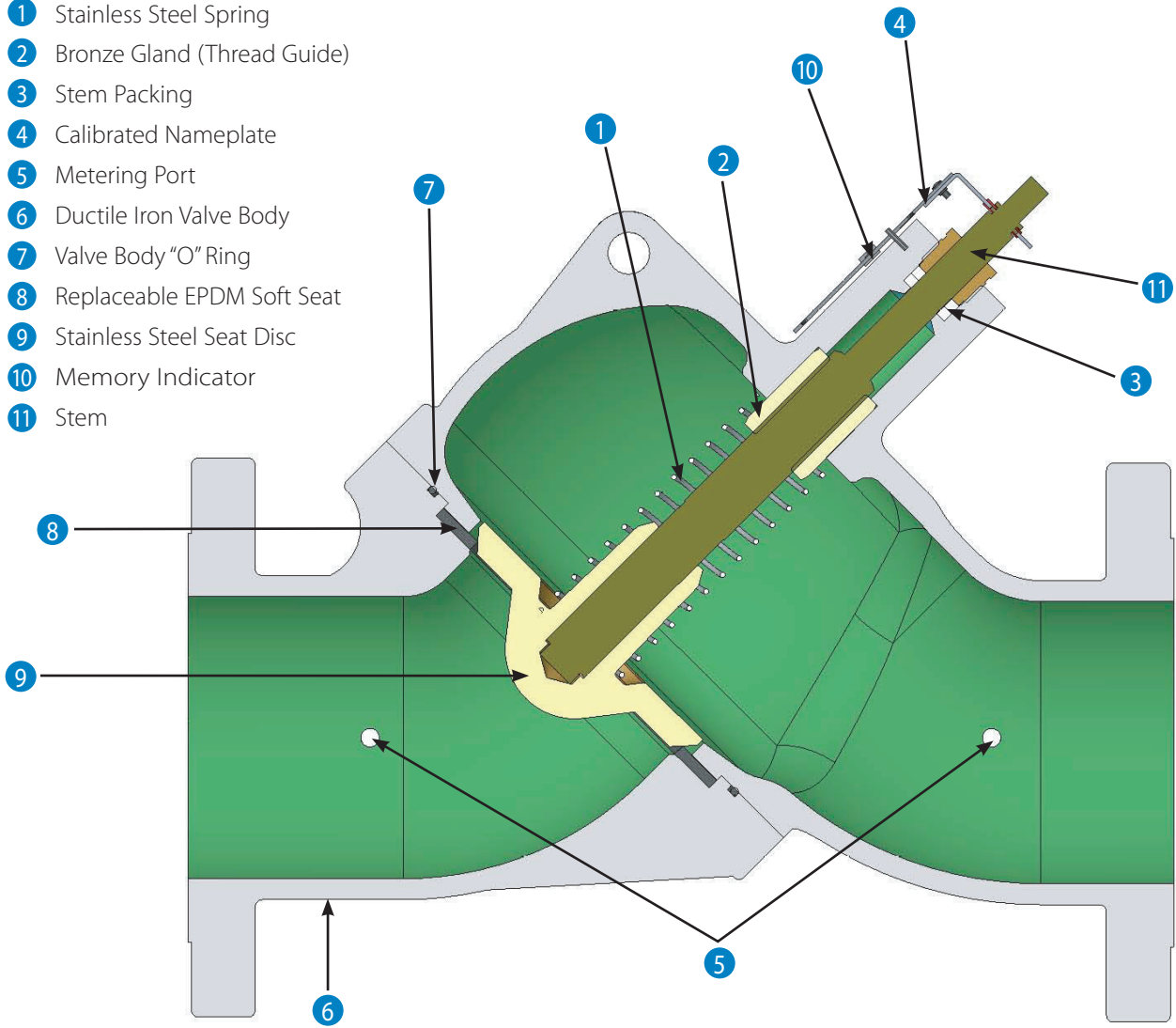


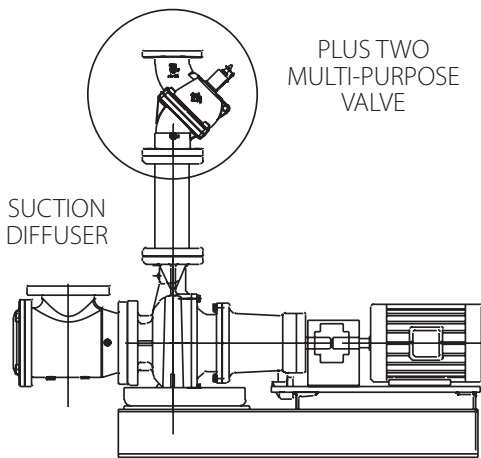
Plus Two Multi-Purpose Valve



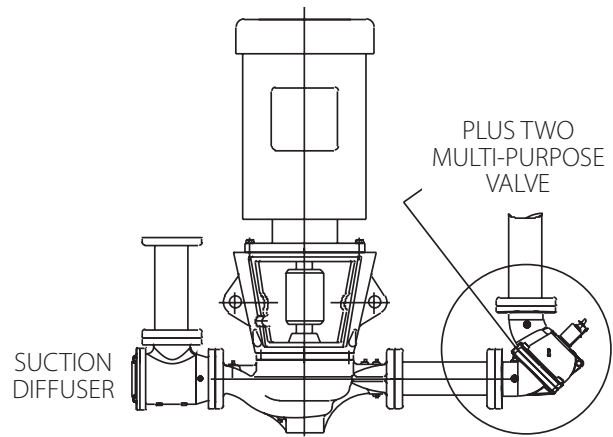
- 1 Stainless Steel Spring
- 2 Bronze Gland (Thread Guide)
- 3 Stem Packing
- 4 Calibrated Nameplate
- 5 Metering Port
- 6 Ductile Iron Valve Body
- 7 Valve Body "O" Ring
- 8 Replaceable EPDM Soft Seat
- 9 Stainless Steel Seat Disc
- 10 Memory Indicator
- 11 Stem



Typical Installation



BASE MOUNTED SINGLE SUCTION PUMP



VERTICAL IN-LINE PUMP

Design

The Taco "Plus Two" Multi-Purpose Valve combines all the valve functions that are normally required on the discharge side of a centrifugal pump in a hydronic heating or cooling system into one body. It is a Shut-Off Valve, a Non-Slam Check Valve, a Balancing Valve, a Flow Metering Valve, and now it is field convertible from a straight pattern to a 90 degree right angle pattern. In addition, the "Plus Two" Multi-Purpose Valves have low pressure drops, equal to or better than any valve on the market today, and the stem seal packing can be replaced under full system pressure.

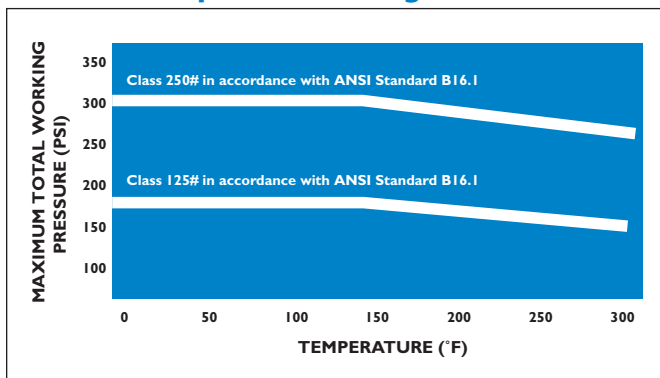
With sizes ranging from 1-1/2" through 14" the "Plus Two" Multi-Purpose valves are made of Ductile Iron with stainless steel to provide years of trouble free service. Each valve is available in *150# psi or *250# psi working pressure with flanged end connections (1-1/2", 2" and 2-1/2" units are threaded connections). Grooved adapters are now available for purchase to fit your design needs.

**Consult Pressure/Temperature Ratings Chart*

Features

- Horizontal or Vertical Installation
- Field Convertible to a Right Angle Valve
- Stem Seal Packing Replaceable Under Pressure
- Five (5) Valves in One:
 - Shut Off Valve
 - Flow Control Valve (Globe Style)
 - Non Slam Check Valve
 - Flow Metering Valve
 - Straight Pattern Valve can be Converted to a Right Angle Pattern Valve
- Memory Indicator, Pointer & Scale
- Schrader Valve Metering Connections
- "O" Ring Sealed Valve Body
- Replaceable "Soft Seat"
- Low Pressure Drop (Equal to or better than any comparable valve on the market today)
- Available in 125 psi and 250 psi Working Pressure

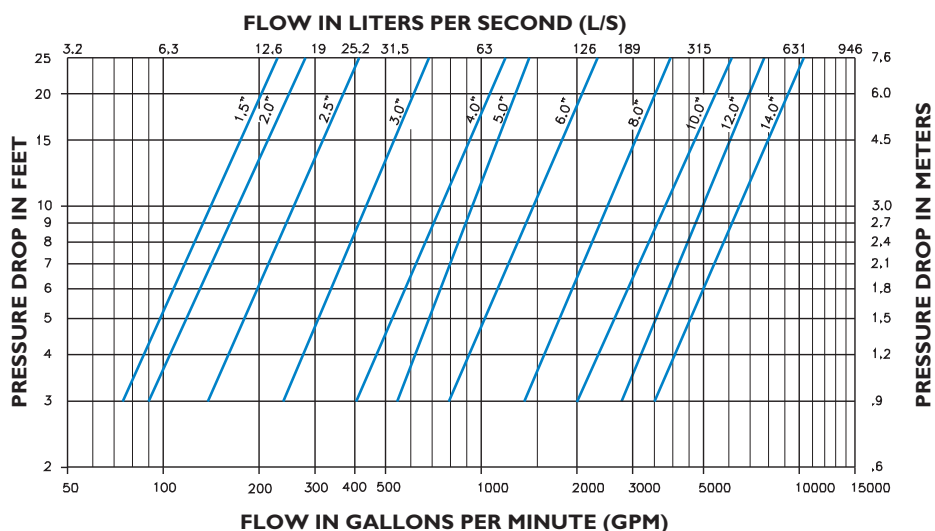
Pressure-Temperature Ratings



Materials of Construction

Body: Ductile Iron
 Seat Disc: Stainless Steel (304)
 Spring: Stainless Steel (302)
 Gland: Bronze
 Stem Packing: Asbestos Free Teflon
 Impregnated Aramid Fiber
 Seat: EPDM
 Body "O" Ring: EPDM
 Stem: Bronze/Stainless Steel (416)
 Grooved Adapter: Steel

Pressure Loss Curve (Curves represent valve fully open)



Dimensional Data

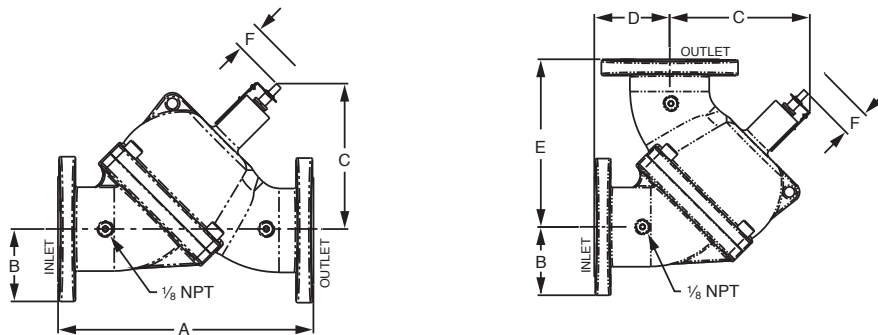
Plus Two Multi-Purpose Valve (Threaded or Flanged Connection)

Model Number	Size	Connection	A	B (Class 125*)	B (Class 250*)	C	D	E	F	C _v	Weight (125#)	Weight (250#)
MPV 015-4	1½ (38.1) NPT	Threaded	8.00 (203)	1.44 (037)	1.44 (037)	4.70 (119)	2.39 (061)	5.64 (143)	1.3 (33.0)	69	12 (5.5)	12 (5.5)
MPV 020-4	2 (50.8) NPT	Threaded	8.00 (203)	1.44 (037)	1.44 (037)	4.70 (119)	2.39 (061)	5.64 (143)	1.3 (33.0)	77	12 (5.5)	12 (5.5)
MPV 025-4	2½ (63.5) NPT	Threaded	10.63 (270)	1.93 (049)	1.93 (049)	4.97 (126)	3.50 (089)	7.30 (185)	1.6 (40.6)	122	32 (15)	32 (15)
MPV 030-4*	3 (76.2)	Flanged	11.75 (298)	3.75 (095)	4.13 (105)	6.15 (156)	3.90 (099)	7.85 (199)	1.8 (45.7)	209	38 (17)	46 (21)
MPV 040-4*	4 (101.6)	Flanged	13.75 (349)	4.50 (114)	4.50 (114)	8.51 (216)	4.18 (106)	9.63 (245)	2.1 (53.3)	357	67 (30)	84 (38)
MPV 050-4*	5 (127.0)	Flanged	17.63 (448)	5.00 (127)	5.50 (140)	11.26 (286)	5.25 (133)	12.28 (312)	2.4 (61.0)	459	105 (48)	126 (57)
MPV 060-4*	6 (152.4)	Flanged	20.35 (517)	5.50 (140)	6.25 (159)	11.28 (287)	6.07 (154)	14.23 (361)	2.7 (68.6)	701	134 (61)	176 (80)
MPV 080-4*	8 (203.2)	Flanged	25.88 (657)	6.75 (171)	7.50 (191)	13.58 (345)	6.75 (171)	19.13 (486)	3.9 (99.1)	1200	293 (133)	341 (155)
MPV 100-4*	10 (254.0)	Flanged	30.00 (762)	8.00 (203)	8.75 (222)	15.82 (402)	8.81 (224)	21.20 (538)	4.4 (111.8)	1826	466 (212)	536 (243)
MPV 120-4*	12 (304.8)	Flanged	36.70 (932)	9.50 (241)	10.25 (260)	17.54 (446)	9.98 (253)	26.64 (677)	4.9 (124.5)	2430	724 (329)	811 (368)
MPV 140-4*	14 (355.6)	Flanged	41.56 (1056)	10.50 (267)	11.50 (292)	22.80 (579)	12.09 (307)	29.47 (749)	5.4 (137.2)	3147	1105 (502)	1182 (537)

NOTE: Dimensions are in inches. Metric dimensions are in millimeters and are in parentheses (). Weights are in lb (kg).

'F' is the distance required to replace packing under pressure. 'A,C,D,E,F' applies to Class 250* flanged units also.

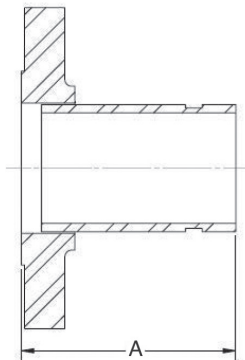
* Append 'A' for Class 250* working pressure flanged units (e.g. Model Number MPV 030-4A).



Plus Two Multi-Purpose Valve (Grooved Adapter)

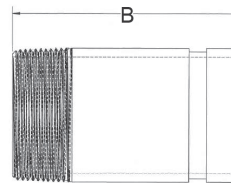
FLANGED - GROOVED

Class 125 Assembly Part No.	Class 250 Assembly Part No.	Size	"A"
FTG020-5	FTG020-5A	2"	4"
FTG025-5	FTG025-5A	2-1/2"	
FTG030-5	FTG030-5A	3"	6"
FTG040-5	FTG040-5A	4"	
FTG050-5	FTG050-5A	5"	
FTG060-5	FTG060-5A	6"	
FTG080-5	FTG080-5A	8"	8"
FTG100-5	FTG100-5A	10"	
FTG120-5	FTG120-5A	12"	
FTG140-5	FTG140-5A	14"	



THREADED - GROOVED

Class 125 + 250 Assembly Part No.	Size	"B"
TTG015-5	1-1/2"	4"
TTG020-5	2"	
TTG025-5	2-1/2"	



NOTE:
Adapters required to convert flanged and threaded MPV to grooved.



Taco Inc., 1160 Cranston Street, Cranston, RI 02920 / (401) 942-8000 / Fax (401) 942-2360
Taco (Canada) Ltd., 8450 Lawson Road, Unit #3, Milton, Ontario L9T 0J8 / (905) 564-9422 / Fax (905) 564-9436