



Submittal Data Information

5000 Series Lead-Free Mixing Valve

101-060

Effective: March 17, 2021

Supersedes: February 17, 2016

Job: _____ Engineer: _____ Contractor: _____ Rep: _____

ITEM NO.	MODEL NO.	

Features

- ≤ .25% lead
- ASSE 1017 Listed
- Ideal for Domestic Water Distribution Points
- Suitable for use in Potable Water
- Delivers Stable Mixed Water Temperature
- Extended Mix Temperature Range of 85-176°F (29-80°C)
- Tamper-Resistance Cap
- Sweat, NPT, Pex, Press, CPVC Union Connections
- Check Valves Included
- Low Headloss
- Outlet Temperature Strip
- Optional Dial Gauge and Adaptor

Performance

- CV: 2.3
- Max. Flow: 20 gpm (76 L/Min)
- NOTE: Flow should never exceed standards for pipe size.
- Min. Flow: 1 gpm (3.8 L/Min)
- Hot Supply Temperature: 120-180°F (49-82°C)
- Cold Supply Temperature: 39-80°F (5-27°C)
- Max. Inlet Pressure: 230 psi (15.85 Bar)
- Max. Variation in Supply Pressure: 20%
- Min. Temperature Differential Between Hot Supply and Mixed: 10°F (5.6°C)
- Outlet Temp. Range: 85-175°F (29-80°C)
- Factory set to: 115-120°F (41-45°C)
- Accuracy of Outlet Temperature: ± 3°F

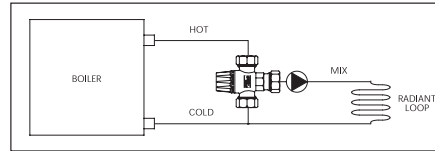
Materials

- Body: Forged Brass ≤ .25% lead Brass
- Internal Components:
 - ≤ .25% lead Brass
 - Noryl GFN2
- Seals: Viton
- Spring: Stainless Steel
- Piston: Polysulfone
- Fittings: Varies (Brass, CPVC, Copper)
- Gaskets: EPDM
- Temperature Gauge: Stainless Steel
- Gauge Fitting: Brass

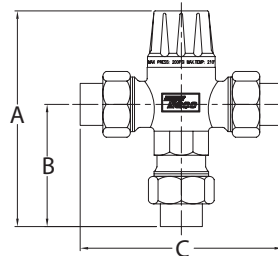
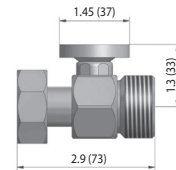
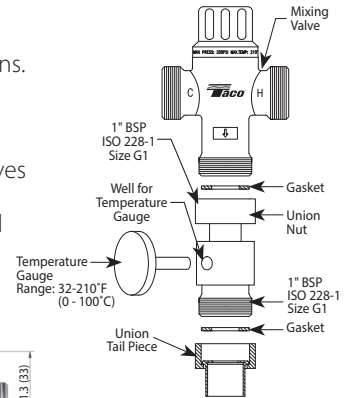
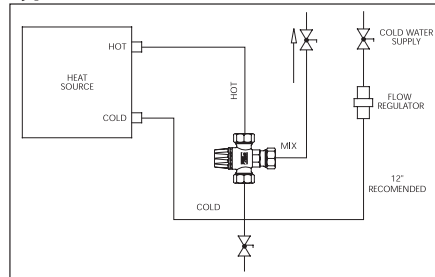
Application

This versatile NSF 61 and ASSE 1017 mixing valve provides the ultimate performance for domestic hot water applications. The 5000 Series ASSE 1017 certification allows for domestic hot water storage at temperatures high enough to increase the effective storage capacity of a water heater, kill harmful bacteria and still be delivered at a safe 120°F or less. The valves unique design and advanced thermostatic element ensures a stable mixed water temperature throughout the extended 85°-176°F range.

Low Temperature or Radiant Installation



Typical Domestic Water Installation



Approvals

ASSE 1017
cUPC Listed
CSAB125.3



5000 Series Mixing Valve Dimensions *Dimensions for reference only*

Taco Model	Description	A Height		B Lower Height		C Width	
		In.	mm	In.	mm	In.	mm
5000-3	BODY ONLY*	4.0	101.6	1.9	48.3	3.3	83.8
5002-B3	1/2" UNION CPVC	5.8	147.3	3.7	94.0	7.1	180.3
5002-C3	1/2" UNION SWEAT	4.8	121.9	2.7	68.6	4.8	121.9
5002-P3	1/2" UNION PEX	5.0	128.5	2.9	73.7	5.4	137.2
5002-T3	1/2" UNION NPT	5.3	134.6	3.2	81.3	5.8	147.3
5002-H3	1/2" UNION PRESS	4.9	124.5	3.8	96.5	7	177.8
5003-B3	3/4" UNION CPVC	5.8	147.3	3.7	94.0	7.1	180.3
5003-C3	3/4" UNION SWEAT	5.0	127.0	2.9	73.7	5.4	137.2
5003-P3	3/4" UNION PEX	5.1	129.5	2.9	73.7	5.4	137.2
5003-T3	3/4" UNION NPT	5.5	139.7	3.4	86.4	6.3	160.0
5003-H3	3/4" UNION PRESS	7.0	177.8	3.9	99.1	7.3	185.4
5004-C3	1" UNION SWEAT	6.1	154.9	4.0	101.6	5.4	137.2
5004-P3	1" UNION PEX	5.2	132.1	3.1	78.7	5.8	147.3
5004-H3	1" UNION PRESS	7.0	177.8	3.9	99.1	7.3	185.4

For models with a gauge add -G to the end of the model number. This will change the total valve height.
*Does not include connections



Taco, Inc., 1160 Cranston Street, Cranston, RI 02920 | Tel: (401) 942-8000 | FAX: (401) 942-2360

Taco (Canada), Ltd., 8450 Lawson Road, Suite #3, Milton, Ontario L9T 0J8 | Tel: (905) 564-9422 | FAX: (905) 564-9436

Visit our web site: www.TacoComfort.com | ©2021 Taco, Inc.

