



Submittal Data Information

Double Wall Heat Exchangers

201-074

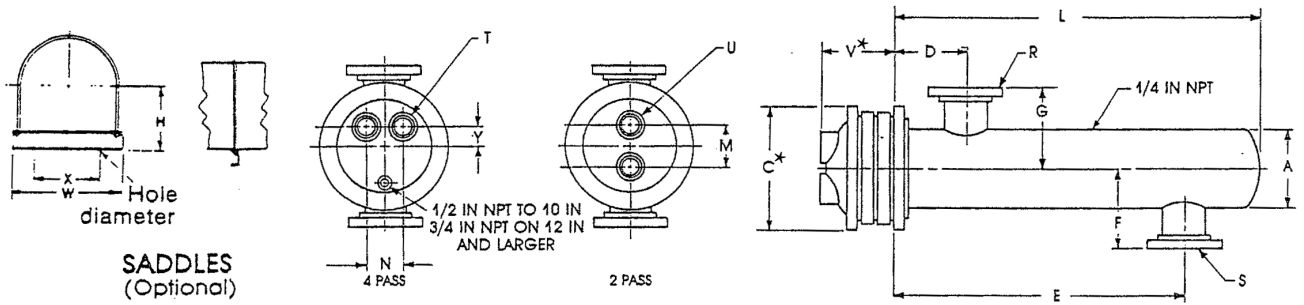
4" Diameter Liquid

SUPERSEDES: January 2, 1991

EFFECTIVE: April 30, 2018

Item No	Model No	Pass	GPM Tubes	Temp. In	Temp. Out	P.D. Tubes	Vel. Tubes	GPM Shell	Temp. In	Temp. Out	P.D. Shell	Vel. Shell
---------	----------	------	-----------	----------	-----------	------------	------------	-----------	----------	-----------	------------	------------

Tube Fluid _____ Shell Fluid _____



DIMENSIONS: 4 Inch Diameter

Model Number		Cast Iron Heads						Dimensions (inches)									Heating Surface (sq. ft.)	Shipping Weight (lbs.)
2 Pass	4 Pass	2 Pass		4 Pass				2 and 4 Pass										
		M	U	N	T	Y	V*	A	C*	D	E	F	G	L	R	S		
G4204L	G4404L	2 1/2	1 1/2T	2 3/8	1T	7/8	3 1/2	4 1/2	9	5	19 1/2	3 7/8	3 7/8	24 1/2	1 1/2T	1 1/2T	9.2	76
G4206L	G4406L	2 1/2	1 1/2T	2 3/8	1T	7/8	3 1/2	4 1/2	9	5	31 1/2	3 7/8	3 7/8	36 1/2	1 1/2T	1 1/2T	14.0	86
G4208L	G4408L	2 1/2	1 1/2T	2 3/8	1T	7/8	3 1/2	4 1/2	9	5	43 1/2	3 7/8	3 7/8	48 1/2	1 1/2T	1 1/2T	18.6	95
G4210L	G4410L	2 1/2	1 1/2T	2 3/8	1T	7/8	3 1/2	4 1/2	9	5	55 1/2	3 7/8	3 7/8	60 1/2	1 1/2T	1 1/2T	23.4	105
G4212L	G4412L	2 1/2	1 1/2T	2 3/8	1T	7/8	3 1/2	4 1/2	9	5	67 1/2	3 7/8	3 7/8	72 1/2	1 1/2T	1 1/2T	28.2	115
G4214L	G4414L	2 1/2	1 1/2T	2 3/8	1T	7/8	3 1/2	4 1/2	9	5	79 1/2	3 7/8	3 7/8	84 1/2	1 1/2T	1 1/2T	32.8	125
G4216L	G4416L	2 1/2	1 1/2T	2 3/8	1T	7/8	3 1/2	4 1/2	9	5	91 1/2	3 7/8	3 7/8	96 1/2	1 1/2T	1 1/2T	37.6	135
G4218L	G4418L	2 1/2	1 1/2T	2 3/8	1T	7/8	3 1/2	4 1/2	9	5	103 1/2	3 7/8	3 7/8	108 1/2	1 1/2T	1 1/2T	42.2	145
G4220L	G4420L	2 1/2	1 1/2T	2 3/8	1T	7/8	3 1/2	4 1/2	9	5	115 1/2	3 7/8	3 7/8	120 1/2	1 1/2T	1 1/2T	47.0	155

SADDLE DIMENSIONS: H-5 1/4; W-6 15/16; X-5 1/2; Hole Dia.-1/2

MATERIALS OF CONSTRUCTION (Unless otherwise indicated, standard will be furnished.)

* When choosing any option with fabricated head type, refer to submittal 201-022 for head dimensions. Fabricated heads will feature flanged connections.

Shell	Standard Steel	Optional 304ss, 316ss
Head	Cast Iron 4-10" Fabricated Steel 12-30"	* Cast Bronze, Fabricated Steel, Fabricated 304ss/316ss Fabricated 304ss/316ss
Tubes	3/4 x Double Wall Copper/Copper	3/4 x Double Wall Cu-Ni/Cu-Ni
Tube Sheet Tube Side	Steel	304ss, 316ss
Tube Sheet Shell Side	Steel	304ss, 316ss
Separators	Steel	Brass, 304ss, 316ss, 90/10 Cu Ni
Working Pressure	150 PSIG (ASME)	Consult Factory
Max. Temperature	375°F	Consult Factory

All dimensions shown are subject to change and should not be used for pre-piping. Contact your local Taco representative should certified dimensional drawings be required.



Taco, Inc., 1160 Cranston Street, Cranston, RI 02920 | Tel: (401) 942-8000 | FAX: (401) 942-2360

Taco (Canada), Ltd., 8450 Lawson Road, Suite #3, Milton, Ontario L9T 0J8 | Tel: (905) 564-9422 | FAX: (905) 564-9436

Visit our web site: www.TacoComfort.com | Printed in USA | ©2017 Taco, Inc.



Double Wall Heat Exchangers

20" DIAMETER LIQUID

SUPERSEDES: AUGUST 1, 2009

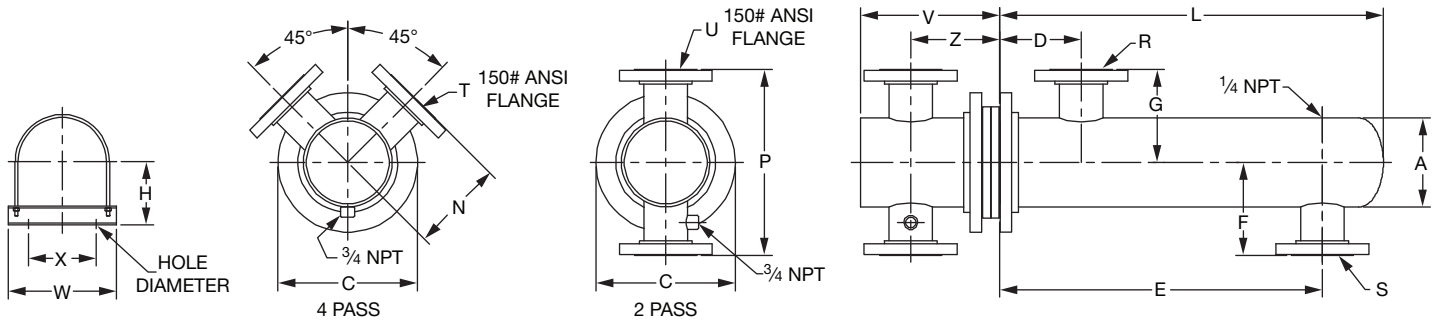
EFFECTIVE: JUNE 1, 2010

Job: _____

Item No.	Model No.	Pass	GPM Tubes	Temp. In	Temp. Out	P.D. Tubes	Vel. Tubes	GPM Shell	Temp. In	Temp. Out	P.D. Shell	Vel. Shell

Tube Fluid: _____

Shell Fluid: _____



DIMENSIONS – 20 Inch Diameter

* Dimensions are ANSI. For TEMA, consult factory.

Model Number		Fabricated Steel Heads								Dimensions (inches)								Heating Surface (Sq. Ft.)	Shipping Weight (Lbs.)	
2 Pass	4 Pass	2 Pass				4 Pass				2 Pass and 4 Pass										
		P	U	V	Z	N	T	V	Z	A	C*	D	E	F	G	L	R	S		
G20208LD	G20408LD	32½	6F	21⅞	16⅞	16¼	4F	21⅞	15⅞	20	27½	11¼	35	16½	16½	48¾	10F	10F	341.3	1665
G20210LD	G20410LD	32½	6F	21⅞	16⅞	16¼	4F	21⅞	15⅞	20	27½	11¼	47	16½	16½	60¾	10F	10F	456.6	1934
G20212LD	G20412LD	32½	6F	21⅞	16⅞	16¼	4F	21⅞	15⅞	20	27½	11¼	59	16½	16½	72¾	10F	10F	589.9	2205
G20214LD	G20414LD	32½	6F	21⅞	16⅞	16¼	4F	21⅞	15⅞	20	27½	11¼	71	16½	16½	84¾	10F	10F	714.3	2474
G20216LD	G20416LD	32½	6F	21⅞	16⅞	16¼	4F	21⅞	15⅞	20	27½	11¼	83	16½	16½	96¾	10F	10F	838.6	2744
G20218LD	G20418LD	32½	6F	21⅞	16⅞	16¼	4F	21⅞	15⅞	20	27½	11¼	95	16½	16½	108¾	10F	10F	962.9	3028
G20220LD	G20420LD	32½	6F	21⅞	16⅞	16¼	4F	21⅞	15⅞	20	27½	11¼	107	16½	16½	120¾	10F	10F	1087.5	3299

SADDLE DIMENSIONS (Inches): H - 14, W - 23, X - 14, Hole Diameter - ¾

All dimensions shown are subject to change and should not be used for pre-piping. Contact your local Taco representative should certified dimensional drawings be required.

MATERIALS OF CONSTRUCTION (Unless otherwise indicated, standard will be furnished.)

	Standard	Optional
Shell	Steel	304ss
Head	Cast Iron 4"-10", Fabricated Steel 12"-20"	Fabricated Steel, Fabricated 304ss
Tubes	¾" Double Wall Copper Enhanced Heating Surface	
Tube Sheet	Steel	304ss
Separators	Steel	304ss
Working Pressure	150 PSIG (ASME)	
Maximum Temperature	375°F	
	Visual Leak Detection	



Double Wall Heat Exchangers

18" DIAMETER LIQUID

SUPERSEDES: AUGUST 1, 2009

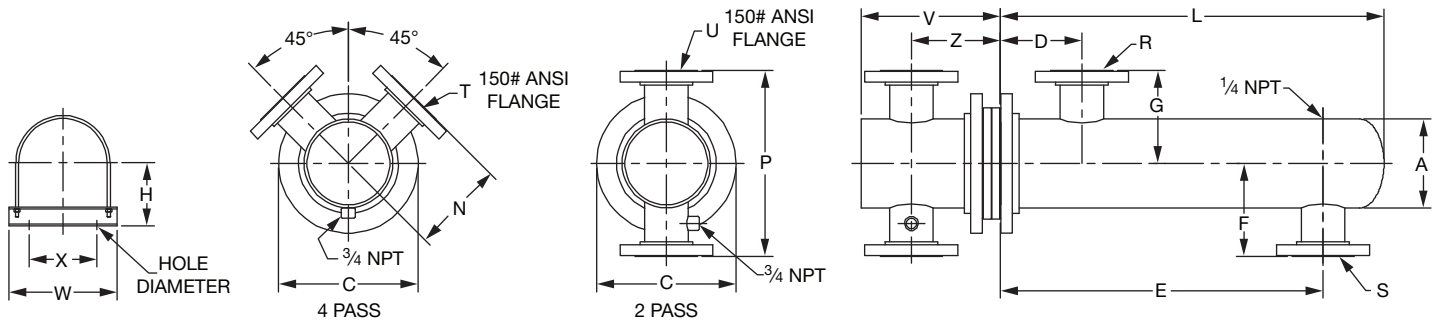
EFFECTIVE: JUNE 1, 2010

Job: _____

Item No.	Model No.	Pass	GPM Tubes	Temp. In	Temp. Out	P.D. Tubes	Vel. Tubes	GPM Shell	Temp. In	Temp. Out	P.D. Shell	Vel. Shell

Tube Fluid: _____

Shell Fluid: _____



DIMENSIONS – 18 Inch Diameter

* Dimensions are ANSI. For TEMA, consult factory.

Model Number		Fabricated Steel Heads								Dimensions (inches)								Heating Surface (Sq. Ft.)	Shipping Weight (Lbs.)	
2 Pass	4 Pass	2 Pass				4 Pass				2 Pass and 4 Pass										
		P	U	V	Z	N	T	V	Z	A	C*	D	E	F	G	L	R	S		
G18206LD	G18406LD	30	6F	20 ³ / ₄	15 ¹ / ₄	15	4F	20 ³ / ₄	14	18	25	10	24 ¹ / ₄	15 ¹ / ₄	15 ¹ / ₄	36 ¹ / ₂	8F	8F	272.2	1283
G18208LD	G18408LD	30	6F	20 ³ / ₄	15 ¹ / ₄	15	4F	20 ³ / ₄	14	18	25	10	36 ¹ / ₄	15 ¹ / ₄	15 ¹ / ₄	48 ¹ / ₂	8F	8F	368.6	1551
G18210LD	G18410LD	30	6F	20 ³ / ₄	15 ¹ / ₄	15	4F	20 ³ / ₄	14	18	25	10	48 ¹ / ₄	15 ¹ / ₄	15 ¹ / ₄	60 ¹ / ₂	8F	8F	465.2	1817
G18212LD	G18412LD	30	6F	20 ³ / ₄	15 ¹ / ₄	15	4F	20 ³ / ₄	14	18	25	10	60 ¹ / ₄	15 ¹ / ₄	15 ¹ / ₄	72 ¹ / ₂	8F	8F	561.6	2087
G18214LD	G18414LD	30	6F	20 ³ / ₄	15 ¹ / ₄	15	4F	20 ³ / ₄	14	18	25	10	72 ¹ / ₄	15 ¹ / ₄	15 ¹ / ₄	84 ¹ / ₂	8F	8F	658.3	2333
G18216LD	G18416LD	30	6F	20 ³ / ₄	15 ¹ / ₄	15	4F	20 ³ / ₄	14	18	25	10	84 ¹ / ₄	15 ¹ / ₄	15 ¹ / ₄	96 ¹ / ₂	8F	8F	754.7	2601
G18218LD	G18418LD	30	6F	20 ³ / ₄	15 ¹ / ₄	15	4F	20 ³ / ₄	14	18	25	10	96 ¹ / ₄	15 ¹ / ₄	15 ¹ / ₄	108 ¹ / ₂	8F	8F	851.3	2869
G18220LD	G18420LD	30	6F	20 ³ / ₄	15 ¹ / ₄	15	4F	20 ³ / ₄	14	18	25	10	108 ¹ / ₄	15 ¹ / ₄	15 ¹ / ₄	120 ¹ / ₂	8F	8F	947.3	3137

SADDLE DIMENSIONS (Inches): H - 13, W - 21, X - 14, Hole Diameter - 3/4

All dimensions shown are subject to change and should not be used for pre-piping. Contact your local Taco representative should certified dimensional drawings be required.

MATERIALS OF CONSTRUCTION (Unless otherwise indicated, standard will be furnished.)

	Standard	Optional
Shell	Steel	304ss
Head	Cast Iron 4"-10", Fabricated Steel 12"-20"	Fabricated Steel, Fabricated 304ss
Tubes	3/4" Double Wall Copper Enhanced Heating Surface	
Tube Sheet	Steel	304ss
Separators	Steel	304ss
Working Pressure	150 PSIG (ASME)	
Maximum Temperature	375°F	
	Visual Leak Detection	



Double Wall Heat Exchangers

16" DIAMETER LIQUID

SUPERSEDES: AUGUST 1, 2009

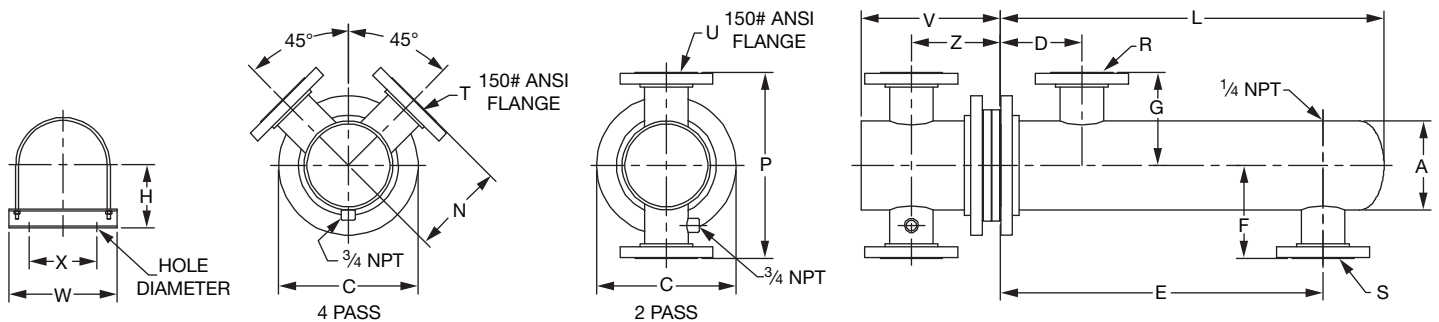
EFFECTIVE: JUNE 1, 2010

Job: _____

Item No.	Model No.	Pass	GPM Tubes	Temp. In	Temp. Out	P.D. Tubes	Vel. Tubes	GPM Shell	Temp. In	Temp. Out	P.D. Shell	Vel. Shell

Tube Fluid: _____

Shell Fluid: _____



DIMENSIONS – 16 Inch Diameter

* Dimensions are ANSI. For TEMA, consult factory.

Model Number		Fabricated Steel Heads								Dimensions (inches)								Heating Surface (Sq. Ft.)	Shipping Weight (Lbs.)	
2 Pass	4 Pass	2 Pass				4 Pass				2 Pass and 4 Pass										
		P	U	V	Z	N	T	V	Z	A	C*	D	E	F	G	L	R	S		
G16206LD	G16406LD	28½	6F	19¾	14¼	14¼	4F	19¾	13	16	23½	9¾	25½	14½	14½	37	8F	8F	217.6	1042
G16208LD	G16408LD	28½	6F	19¾	14¼	14¼	4F	19¾	13	16	23½	9¾	37½	14½	14½	49	8F	8F	294.5	1259
G16210LD	G16410LD	28½	6F	19¾	14¼	14¼	4F	19¾	13	16	23½	9¾	49½	14½	14½	61	8F	8F	371.4	1476
G16212LD	G16412LD	28½	6F	19¾	14¼	14¼	4F	19¾	13	16	23½	9¾	61½	14½	14½	73	8F	8F	448.4	1698
G16214LD	G16414LD	28½	6F	19¾	14¼	14¼	4F	19¾	13	16	23½	9¾	73½	14½	14½	85	8F	8F	525.2	1879
G16216LD	G16416LD	28½	6F	19¾	14¼	14¼	4F	19¾	13	16	23½	9¾	85½	14½	14½	97	8F	8F	602.0	2096
G16218LD	G16418LD	28½	6F	19¾	14¼	14¼	4F	19¾	13	16	23½	9¾	97½	14½	14½	109	8F	8F	678.9	2314
G16220LD	G16420LD	28½	6F	19¾	14¼	14¼	4F	19¾	13	16	23½	9¾	109½	14½	14½	121	8F	8F	755.9	2530

SADDLE DIMENSIONS (Inches): H - 12, W - 19, X - 13, Hole Diameter - ¾

All dimensions shown are subject to change and should not be used for pre-piping. Contact your local Taco representative should certified dimensional drawings be required.

MATERIALS OF CONSTRUCTION (Unless otherwise indicated, standard will be furnished.)

	Standard	Optional
Shell	Steel	304ss
Head	Cast Iron 4"-10", Fabricated Steel 12"-20"	Fabricated Steel, Fabricated 304ss
Tubes	¾" Double Wall Copper Enhanced Heating Surface	
Tube Sheet	Steel	304ss
Separators	Steel	304ss
Working Pressure	150 PSIG (ASME)	
Maximum Temperature	375°F	
	Visual Leak Detection	



Double Wall Heat Exchangers

14" DIAMETER LIQUID

SUPERSEDES: AUGUST 1, 2009

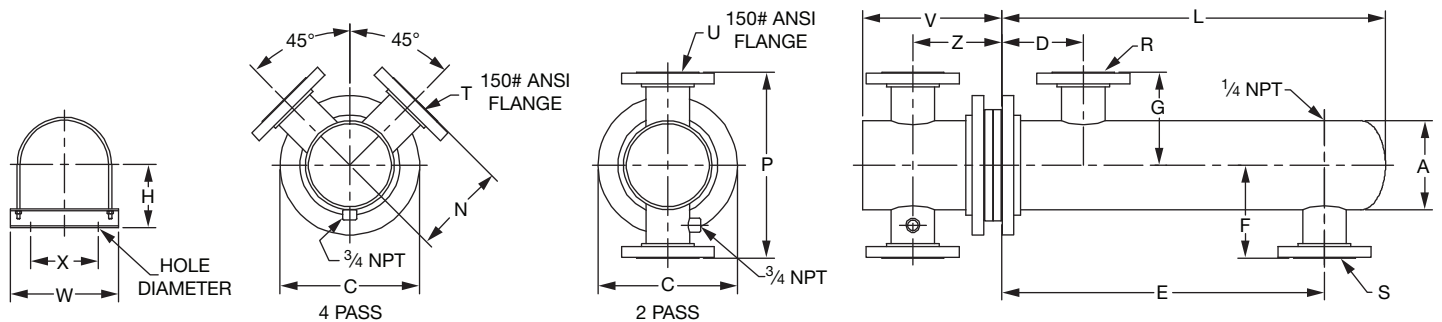
EFFECTIVE: JUNE 1, 2010

Job: _____

Item No.	Model No.	Pass	GPM Tubes	Temp. In	Temp. Out	P.D. Tubes	Vel. Tubes	GPM Shell	Temp. In	Temp. Out	P.D. Shell	Vel. Shell

Tube Fluid: _____

Shell Fluid: _____



DIMENSIONS – 14 Inch Diameter

* Dimensions are ANSI. For TEMA, consult factory.

Model Number		Fabricated Steel Heads								Dimensions (inches)								Heating Surface (Sq. Ft.)	Shipping Weight (Lbs.)	
2 Pass	4 Pass	2 Pass				4 Pass				2 Pass and 4 Pass										
		P	U	V	Z	N	T	V	Z	A	C*	D	E	F	G	L	R	S		
G14206LD	G14406LD	26	6F	18¼	13	13	4F	18¼	12¼	14	21	8½	27½	13¼	13¼	37¼	6F	6F	157.6	787
G14208LD	G14408LD	26	6F	18¼	13	13	4F	18¼	12¼	14	21	8½	39½	13¼	13¼	49¼	6F	6F	213.2	956
G14210LD	G14410LD	26	6F	18¼	13	13	4F	18¼	12¼	14	21	8½	51½	13¼	13¼	61¼	6F	6F	268.8	1122
G14212LD	G14412LD	26	6F	18¼	13	13	4F	18¼	12¼	14	21	8½	63½	13¼	13¼	73¼	6F	6F	324.5	1286
G14214LD	G14414LD	26	6F	18¼	13	13	4F	18¼	12¼	14	21	8½	75½	13¼	13¼	85¼	6F	6F	380.0	1449
G14216LD	G14416LD	26	6F	18¼	13	13	4F	18¼	12¼	14	21	8½	87½	13¼	13¼	97¼	6F	6F	435.7	1614
G14218LD	G14418LD	26	6F	18¼	13	13	4F	18¼	12¼	14	21	8½	99½	13¼	13¼	109¼	6F	6F	491.5	1778
G14220LD	G14420LD	26	6F	18¼	13	13	4F	18¼	12¼	14	21	8½	111½	13¼	13¼	121¼	6F	6F	547.0	1943

SADDLE DIMENSIONS (Inches): H - 11, W - 17, X - 12, Hole Diameter - ¾

All dimensions shown are subject to change and should not be used for pre-piping. Contact your local Taco representative should certified dimensional drawings be required.

MATERIALS OF CONSTRUCTION (Unless otherwise indicated, standard will be furnished.)

	Standard	Optional
Shell	Steel	304ss
Head	Cast Iron 4"-10", Fabricated Steel 12"-20"	Fabricated Steel, Fabricated 304ss
Tubes	¾" Double Wall Copper Enhanced Heating Surface	
Tube Sheet	Steel	304ss
Separators	Steel	304ss
Working Pressure	150 PSIG (ASME)	
Maximum Temperature	375°F	
	Visual Leak Detection	





Submittal Data Information

Double Wall Heat Exchangers

201-078

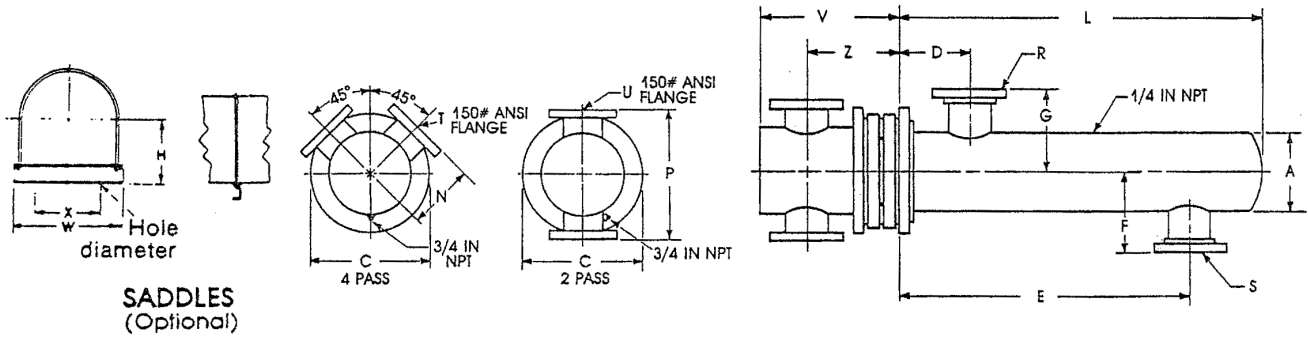
12" Diameter Liquid

SUPERSEDES: NEW

EFFECTIVE 1/2/91

Item No	Model No	Pass	GPM Tubes	Temp. In	Temp. Out	P.D. Tubes	Vel. Tubes	GPM Shell	Temp. In	Temp. Out	P.D. Shell	Vel. Shell

Tube Fluid _____ Shell Fluid _____



DIMENSIONS: 12 Inch Diameter

Model Number		Fabricated Steel Heads				Dimensions (inches)											Heating Surface (sq. ft.)	Shipping Weight (lbs.)		
2 Pass	4 Pass	2 Pass		4 Pass		2 and 4 Pass														
		P	U	V	Z	N	T	V	Z	A	C	D	E	F	G	L	R	L		
G12206L	G12406L	24	4F	16	11 1/4	12	3F	16	11 1/2	12 3/4	19	8	27 1/4	12	12	36 1/4	5F	5F	117.2	589
G12208L	G12408L	24	4F	16	11 1/4	12	3F	16	11 1/2	12 3/4	19	8	39 1/4	12	12	48 1/4	5F	5F	158.0	675
G12210L	G12410L	24	4F	16	11 1/4	12	3F	16	11 1/2	12 3/4	19	8	51 1/4	12	12	60 1/4	5F	5F	199.0	760
G12212L	G12412L	24	4F	16	11 1/4	12	3F	16	11 1/2	12 3/4	19	8	63 1/4	12	12	72 1/4	5F	5F	239.8	851
G12214L	G12414L	24	4F	16	11 1/4	12	3F	16	11 1/2	12 3/4	19	8	75 1/4	12	12	84 1/4	5F	5F	280.6	936
G12216L	G12416L	24	4F	16	11 1/4	12	3F	16	11 1/2	12 3/4	19	8	87 1/4	12	12	96 1/4	5F	5F	321.6	1020
G12218L	G12418L	24	4F	16	11 1/4	12	3F	16	11 1/2	12 3/4	19	8	99 1/4	12	12	108 1/4	5F	5F	362.4	1106
G12220L	G12420L	24	4F	16	11 1/4	12	3F	16	11 1/2	12 3/4	19	8	111 1/4	12	12	120 1/4	5F	5F	403.2	1190

SADDLE DIMENSIONS: H-9 3/8; W-15 5/8; X-11; Hole Dia.-3/4

MATERIALS OF CONSTRUCTION (Unless otherwise indicated, standard will be furnished.)

	Standard	Optional
Shell	Steel	304ss
Head	Cast Iron 4"-10" Fabricated Steel 12"	Fabricated Steel, Fabricated 304ss
Tubes	3/4" Double Wall Copper Enhanced Heating Surface	
Tube Sheet	Steel	304ss
Separators	Steel	304ss
Working Pressure	150 PSIG (ASME)	
Maximum Temperature	375°F Visual Leak Detection	

All dimensions shown are subject to change and should not be used for pre-piping. Contact your local Taco representative should certified dimensional drawings be required.

Do it Once. Do it Right.

Taco Inc., 1160 Cranston Street, Cranston, RI 02920 Telephone: (401) 942-8000 Fax: 942-2360
 Taco (Canada), Ltd., 6180 Ordan Drive, Mississauga, Ontario L5T 2B3 Telephone: (905) 564-9422 Fax: (905) 564-9436
 Visit our website at: www.taco-hvac.com

Printed in USA
 Copyright 2007
 TACO, Inc.

Submittal Data Information

Double Wall Heat Exchangers

201-077

10" Diameter Liquid

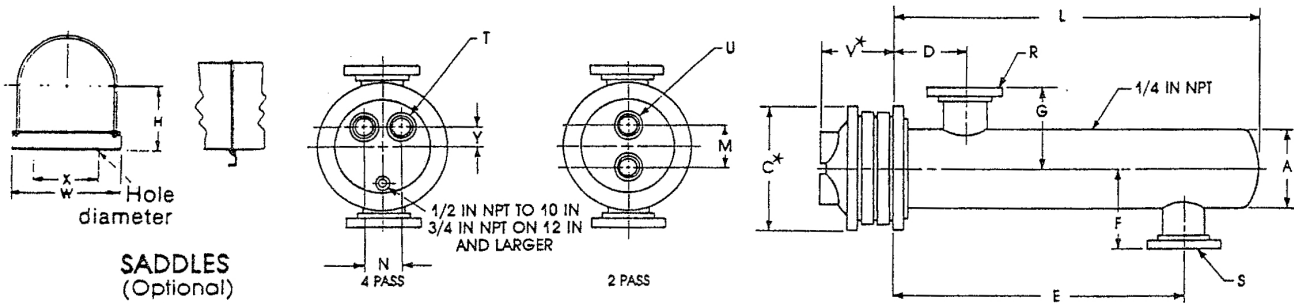
SUPERSEDES: January 2, 1991

EFFECTIVE: April 30, 2018

Item No	Model No	Pass	GPM Tubes	Temp. In	Temp. Out	P.D. Tubes	Vel. Tubes	GPM Shell	Temp. In	Temp. Out	P.D. Shell	Vel. Shell
---------	----------	------	-----------	----------	-----------	------------	------------	-----------	----------	-----------	------------	------------

Tube Fluid _____

Shell Fluid _____



DIMENSIONS: 10 Inch Diameter

Model Number		Cast Iron Heads							Dimensions (inches)									Heating Surface (sq. ft.)	Shipping Weight (lbs.)
2 Pass	4 Pass	2 Pass		4 Pass					2 and 4 Pass										
		M	U	N	T	Y	V*	A	C*	D	E	F	G	L	R	S			
G10204L	G10404L	6 1/4	3T	5 1/2	3T	2 1/4	5 1/8	10 3/4	16	7 1/4	16 1/2	10 1/2	10 1/2	24	4F	4F	53.6	356	
G10206L	G10406L	6 1/4	3T	5 1/2	3T	2 1/4	5 1/8	10 3/4	16	7 1/4	28 1/2	10 1/2	10 1/2	36	4F	4F	81.8	409	
G10208L	G10408L	6 1/4	3T	5 1/2	3T	2 1/4	5 1/8	10 3/4	16	7 1/4	40 1/2	10 1/2	10 1/2	48	4F	4F	110.0	471	
G10210L	G10410L	6 1/4	3T	5 1/2	3T	2 1/4	5 1/8	10 3/4	16	7 1/4	52 1/2	10 1/2	10 1/2	60	4F	4F	138.4	532	
G10212L	G10412L	6 1/4	3T	5 1/2	3T	2 1/4	5 1/8	10 3/4	16	7 1/4	64 1/2	10 1/2	10 1/2	72	4F	4F	166.6	593	
G10214L	G10414L	6 1/4	3T	5 1/2	3T	2 1/4	5 1/8	10 3/4	16	7 1/4	76 1/2	10 1/2	10 1/2	84	4F	4F	195.0	654	
G10216L	G10416L	6 1/4	3T	5 1/2	3T	2 1/4	5 1/8	10 3/4	16	7 1/4	88 1/2	10 1/2	10 1/2	96	4F	4F	223.2	716	
G10218L	G10418L	6 1/4	3T	5 1/2	3T	2 1/4	5 1/8	10 3/4	16	7 1/4	100 1/2	10 1/2	10 1/2	108	4F	4F	251.4	777	
G10220L	G10420L	6 1/4	3T	5 1/2	3T	2 1/4	5 1/8	10 3/4	16	7 1/4	112 1/2	10 1/2	10 1/2	120	4F	4F	279.8	838	

SADDLE DIMENSIONS: H-8 5/8"; W-13 3/8"; X-10"; Hole Dia.- 3/4"

MATERIALS OF CONSTRUCTION (Unless otherwise indicated, standard will be furnished.)

* When choosing any option with fabricated head type, refer to submittal 201-022 for head dimensions. Fabricated heads will feature flanged connections.

	Standard	Optional
Shell	Steel	304ss, 316ss
Head	Cast Iron 4-10" Fabricated Steel 12-30"	* Cast Bronze, Fabricated Steel, Fabricated 304ss/316ss Fabricated 304ss/316ss
Tubes	3/4 x Double Wall Copper/Copper	3/4 x Double Wall Cu-Ni/Cu-Ni
Tube Sheet Tube Side	Steel	304ss, 316ss
Tube Sheet Shell Side	Steel	304ss, 316ss
Separators	Steel	Brass, 304ss, 316ss, 90/10 Cu Ni
Working Pressure	150 PSIG (ASME)	Consult Factory
Max. Temperature	375°F	Consult Factory

All dimensions shown are subject to change and should not be used for pre-piping. Contact your local Taco representative should certified dimensional drawings be required.



Submittal Data Information

Double Wall Heat Exchangers

201-076

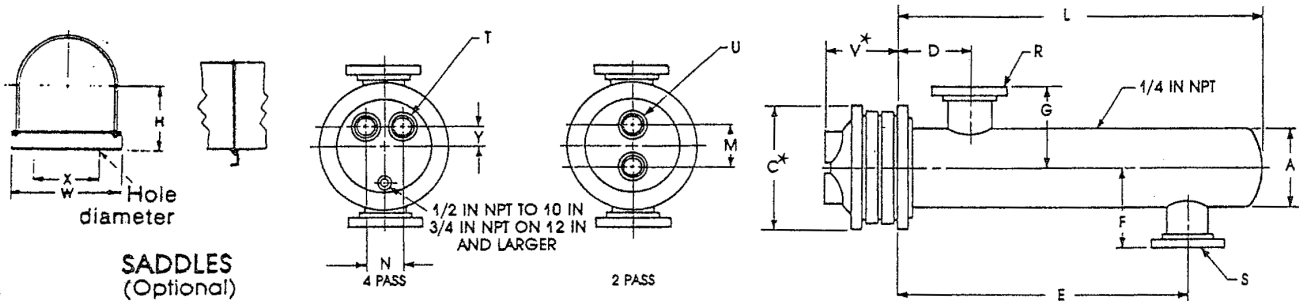
8" Diameter Liquid

SUPERSEDES: January 2, 1991

EFFECTIVE: April 30, 2018

Item No	Model No	Pass	GPM Tubes	Temp. In	Temp. Out	P.D. Tubes	Vel. Tubes	GPM Shell	Temp. In	Temp. Out	P.D. Shell	Vel. Shell

Tube Fluid _____ Shell Fluid _____



DIMENSIONS: 8 Inch Diameter

Model Number		Cast Iron Heads						Dimensions (Inches)										Heating Surface (sq. ft.)	Shipping Weight (lbs.)
2 Pass	4 Pass	2 Pass	4 Pass					2 and 4 Pass											
		M	U	N	T	Y	V*	A	C*	D	E	F	G	L	R	S			
G8204L	G8404L	5	3T	4	2T	2	4 1/4	8 5/8	13 1/2	7 1/4	17 1/4	9 1/4	9 1/4	24	4F	4F	33.0	220	
G8206L	G8406L	5	3T	4	2T	2	4 1/4	8 5/8	13 1/2	7 1/4	29 1/4	9 1/4	9 1/4	36	4F	4F	50.2	262	
G8208L	G8408L	5	3T	4	2T	2	4 1/4	8 5/8	13 1/2	7 1/4	41 1/4	9 1/4	9 1/4	48	4F	4F	67.4	311	
G8210L	G8410L	5	3T	4	2T	2	4 1/4	8 5/8	13 1/2	7 1/4	53 1/4	9 1/4	9 1/4	60	4F	4F	84.8	354	
G8212L	G8412L	5	3T	4	2T	2	4 1/4	8 5/8	13 1/2	7 1/4	65 1/4	9 1/4	9 1/4	72	4F	4F	102.0	397	
G8214L	G8414L	5	3T	4	2T	2	4 1/4	8 5/8	13 1/2	7 1/4	77 1/4	9 1/4	9 1/4	84	4F	4F	119.4	418	
G8216L	G8416L	5	3T	4	2T	2	4 1/4	8 5/8	13 1/2	7 1/4	89 1/4	9 1/4	9 1/4	96	4F	4F	136.6	481	
G8218L	G8418L	5	3T	4	2T	2	4 1/4	8 5/8	13 1/2	7 1/4	101 1/4	9 1/4	9 1/4	108	4F	4F	153.8	524	
G8220L	G8420L	5	3T	4	2T	2	4 1/4	8 5/8	13 1/2	7 1/4	113 1/4	9 1/4	9 1/4	120	4F	4F	171.2	568	

SADDLE DIMENSIONS: H-7 1/16; W-1 1/4; X-9; Hole Dia.-5/8

MATERIALS OF CONSTRUCTION (Unless otherwise indicated, standard will be furnished.)

* When choosing any option with fabricated head type, refer to submittal 201-022 for head dimensions. Fabricated heads will feature flanged connections.

	Standard	Optional
Shell	Steel	304ss, 316ss
Head	Cast Iron 4-10" Fabricated Steel 12-30"	* Cast Bronze, Fabricated Steel, Fabricated 304ss/316ss
Tubes	3/4 x Double Wall Copper/Copper	Fabricated 304ss/316ss
Tube Sheet Tube Side	Steel	3/4 x Double Wall Cu-Ni/Cu-Ni
Tube Sheet Shell Side	Steel	304ss, 316ss
Separators	Steel	304ss, 316ss
Working Pressure	150 PSIG (ASME)	Brass, 304ss, 316ss, 90/10 Cu Ni
Max. Temperature	375°F	Consult Factory
		Consult Factory

All dimensions shown are subject to change and should not be used for pre-piping. Contact your local Taco representative should certified dimensional drawings be required.





Submittal Data Information

Double Wall Heat Exchangers

201-075

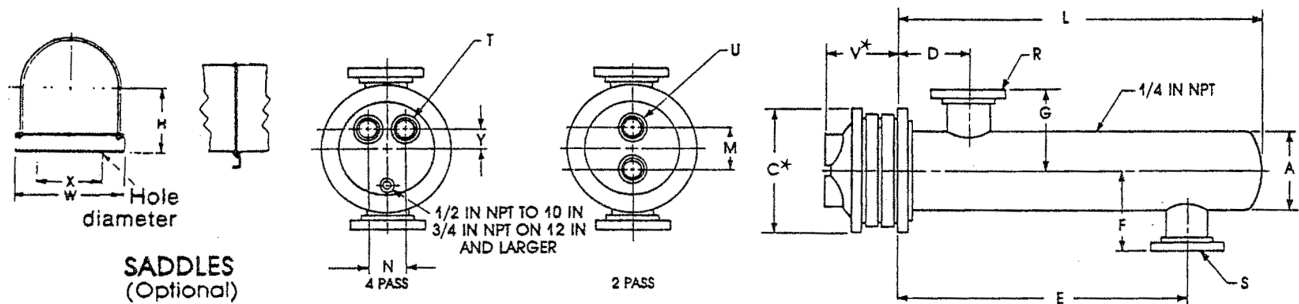
6" Diameter Liquid

SUPERSEDES: January 2, 1991

EFFECTIVE: April 30, 2018

Item No	Model No	Pass	GPM Tubes	Temp. In	Temp. Out	P.D. Tubes	Vel. Tubes	GPM Shell	Temp. In	Temp. Out	P.D. Shell	Vel. Shell
---------	----------	------	-----------	----------	-----------	------------	------------	-----------	----------	-----------	------------	------------

Tube Fluid _____ Shell Fluid _____



DIMENSIONS: 6 Inch Diameter

Model Number		Cast Iron Heads						Dimensions (inches)								Heating Surface (sq. ft.)	Shipping Weight (lbs.)	
2 Pass	4 Pass	2 Pass		4 Pass				2 and 4 Pass										
		M	U	N	T	Y	V*	A	C*	D	E	F	G	L	R	S		
G6204L	G6404L	4	2T	3 3/4	1 1/2T	1 1/4	3 3/4	6 5/8	11	5	18	5 7/8	5 7/8	25	2 1/2T	2 1/2T	18.2	138
G6206L	G6406L	4	2T	3 3/4	1 1/2T	1 1/4	3 3/4	6 5/8	11	5	30	5 7/8	5 7/8	37	2 1/2T	2 1/2T	27.6	166
G6208L	G6408L	4	2T	3 3/4	1 1/2T	1 1/4	3 3/4	6 5/8	11	5	42	5 7/8	5 7/8	49	2 1/2T	2 1/2T	37.0	200
G6210L	G6410L	4	2T	3 3/4	1 1/2T	1 1/4	3 3/4	6 5/8	11	5	54	5 7/8	5 7/8	61	2 1/2T	2 1/2T	46.4	225
G6212L	G6412L	4	2T	3 3/4	1 1/2T	1 1/4	3 3/4	6 5/8	11	5	66	5 7/8	5 7/8	73	2 1/2T	2 1/2T	55.8	253
G6214L	G6414L	4	2T	3 3/4	1 1/2T	1 1/4	3 3/4	6 5/8	11	5	78	5 7/8	5 7/8	85	2 1/2T	2 1/2T	65.2	280
G6216L	G6416L	4	2T	3 3/4	1 1/2T	1 1/4	3 3/4	6 5/8	11	5	90	5 7/8	5 7/8	97	2 1/2T	2 1/2T	74.6	308
G6218L	G6418L	4	2T	3 3/4	1 1/2T	1 1/4	3 3/4	6 5/8	11	5	102	5 7/8	5 7/8	109	2 1/2T	2 1/2T	84.2	336
G6220L	G6420L	4	2T	3 3/4	1 1/2T	1 1/4	3 3/4	6 5/8	11	5	114	5 7/8	5 7/8	121	2 1/2T	2 1/2T	93.6	364

SADDLE DIMENSIONS: H-6 1/16; W-9 1/4; X-7 1/2; Hole Dia. -5/8

MATERIALS OF CONSTRUCTION (Unless otherwise indicated, standard will be furnished.)

* When choosing any option with fabricated head type, refer to submittal 201-022 for head dimensions. Fabricated heads will feature flanged connections.

Shell	Standard Steel	Optional 304ss, 316ss
Head	Cast Iron 4-10" Fabricated Steel 12-30"	* Cast Bronze, Fabricated Steel, Fabricated 304ss/316ss
Tubes	3/4 x Double Wall Copper/Copper	Fabricated 304ss/316ss
Tube Sheet Tube Side	Steel	3/4 x Double Wall Cu-Ni/Cu-Ni
Tube Sheet Shell Side	Steel	304ss, 316ss
Separators	Steel	304ss, 316ss
Working Pressure	150 PSIG (ASME)	Brass, 304ss, 316ss, 90/10 Cu Ni
Max. Temperature	375°F	Consult Factory
		Consult Factory

All dimensions shown are subject to change and should not be used for pre-piping. Contact your local Taco representative should certified dimensional drawings be required.



Taco, Inc., 1160 Cranston Street, Cranston, RI 02920 | Tel: (401) 942-8000 | FAX: (401) 942-2360

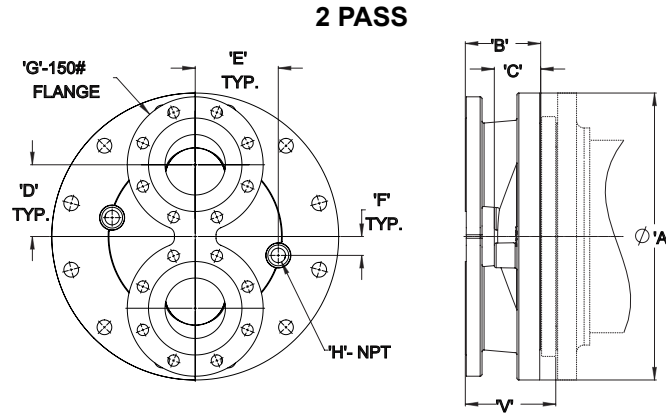
Taco (Canada), Ltd., 8450 Lawson Road, Suite #3, Milton, Ontario L9T 0J8 | Tel: (905) 564-9422 | FAX: (905) 564-9436

Visit our web site: www.TacoComfort.com | Printed in USA | ©2017 Taco, Inc.

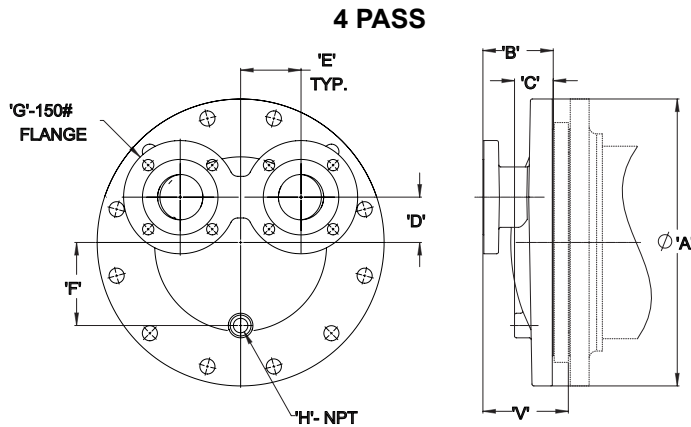


JOB: _____ REPRESENTATIVE: _____

ENGINEER: _____ CONTRACTOR: _____



2-Pass Dimensions										Total Weight
Unit Size	A	B	C	D	E	F	G	H	V*	Lbs. (kg)
12" (305)	19 (483)	5 (127)	3 (76)	4 3/4 (121)	5 1/2 (140)	1 1/4 (32)	4 (102)	3/4 (19)	6 (152)	74 (34)
14" (356)	21 (533)	7 3/8 (187)	4 3/8 (111)	5 1/8 (130)	5 1/2 (140)	1 1/4 (32)	5 (127)	3/4 (19)	8 5/8 (219)	103 (47)
16" (406)	23 1/2 (597)	8 7/8 (225)	4 1/2 (114)	5 3/4 (146)	7 (178)	1 1/4 (32)	6 (152)	3/4 (19)	10 1/8 (257)	136 (62)



4-Pass Dimensions										Total Weight
Unit Size	A	B	C	D	E	F	G	H	V*	Lbs. (kg)
12" (305)	19 (483)	4 5/8 (117)	2 1/2 (64)	3 (76)	4 (102)	5 1/2 (140)	3 (76)	3/4 (19)	5 5/8 (143)	68 (31)
14" (356)	21 (533)	6 7/8 (175)	4 1/4 (108)	3 (76)	4 1/2 (114)	6 (152)	4 (102)	3/4 (19)	8 1/8 (206)	106 (48)
16" (406)	23 1/2 (597)	8 (203)	5 (127)	4 (102)	4 3/4 (121)	7 1/4 (184)	4 (102)	3/4 (19)	9 1/4 (235)	134 (61)

- Note:
- Dimensions are in inches (mm) and weights in lbs (kg)
 - V* dimension change per material thickness. Up to 2 1/4" Naval Brass & 1 3/4" Cupronickel.

COMMENTS