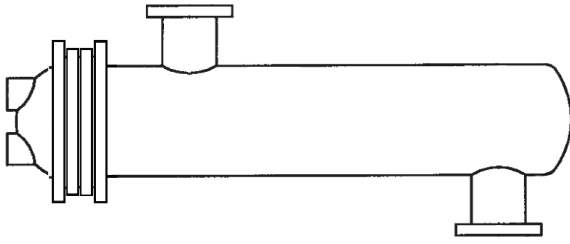


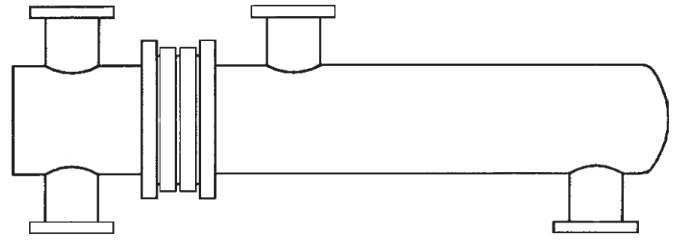
Leak Guard Series Double Wall Liquid to Liquid Heat Exchangers



Features



4" - 10"



12" - 30"

Features

- Designed, constructed and tested to ASME Section VIII, Div. 1 requirements
- NSF/ANSI 372 Certified and Listed
- High degree of flexibility in materials to meet varying application requirements
- Available in 2 or 4 pass construction
- All fabrication done in-house
- Computerized selections to ensure fast and easy design
- National Board Registration
- CRN registration (optional)



Performance Data

- Connection sizes: 1-14"
- Diameters: 4-30"
- Max. Length: 10 ft. Standard
- Working Pressure: 150 PSI standard tube side, 150 PSI shell side, (Optional Higher Pressures)
- Max. Operating Temperature 375°F
- (Optional Higher Temperatures)

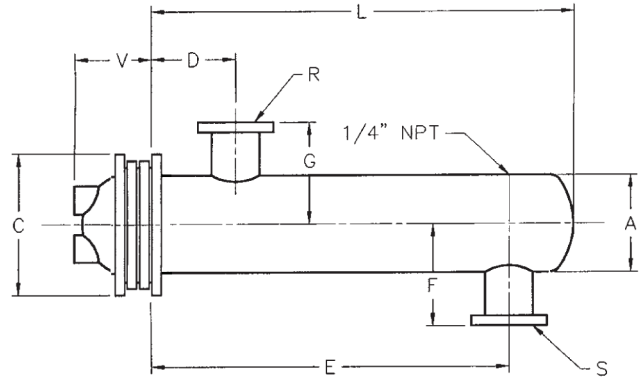
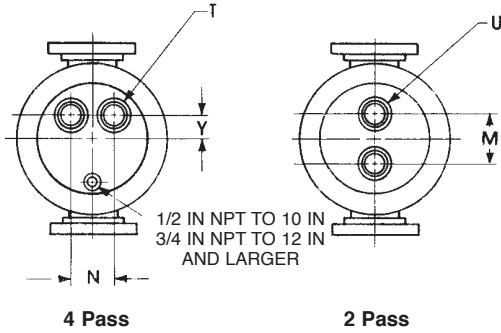
Materials of Construction

	STANDARD	OPTIONAL
Shell	Fabricated Steel	304ss/316ss Duplex 2205
Head 4" - 10"	Cast Iron Threaded Connections	Fabricated Steel, 304ss/316ss, Duplex 2205 Flanged
Head 12" - 30"	Fabricated Steel Flanged	Cast Steel (12"-16") Flanged, 304ss/316ss Duplex 2205 Flanged
Tubes	3/4 OD Double Wall Copper	3/4 OD DW Cupro-Nickel
Tube Sheet	Steel	304ss, 316ss, Duplex 2205
Separators	Steel	304ss, 316ss, Duplex 2205
Tie Rods	Copper	304ss, 316ss
Nuts and Bolts	Steel	Consult Factory

Dimensional Data

Model Number Key

E/G 8 2 18 LD — Double wall water to water type (liquid in shell)
 Tube bundle length (this figure x 6 inches)
 Number of tube passes
 Nominal shell diameter
 U tube



4 Inch Diameter

Model Number		Cast Iron Heads				Dimensions (Inches)										Heating Surface	Shipping Weight	
2 Pass	4 Pass	2 Pass		4 Pass		2 and 4 Pass										(Sq. Ft.)	(Lbs.)	
		M	U	N	T	Y	V	A	C*	D	E	F	G	L	R	S		
G4204LD	G4404LD	2 ¹ / ₂	1 ¹ / ₂ T	2 ³ / ₈	1T	⁷ / ₈	3 ¹ / ₂	4 ¹ / ₂	9	5	19 ¹ / ₂	3 ⁷ / ₈	3 ⁷ / ₈	24 ¹ / ₂	1 ¹ / ₂ T	1 ¹ / ₂ T	9.1	76
G4206LD	G4406LD	2 ¹ / ₂	1 ¹ / ₂ T	2 ³ / ₈	1T	⁷ / ₈	3 ¹ / ₂	4 ¹ / ₂	9	5	31 ¹ / ₂	3 ⁷ / ₈	3 ⁷ / ₈	36 ¹ / ₂	1 ¹ / ₂ T	1 ¹ / ₂ T	13.9	86
G4208LD	G4408LD	2 ¹ / ₂	1 ¹ / ₂ T	2 ³ / ₈	1T	⁷ / ₈	3 ¹ / ₂	4 ¹ / ₂	9	5	43 ¹ / ₂	3 ⁷ / ₈	3 ⁷ / ₈	48 ¹ / ₂	1 ¹ / ₂ T	1 ¹ / ₂ T	18.9	95
G4210LD	G4410LD	2 ¹ / ₂	1 ¹ / ₂ T	2 ³ / ₈	1T	⁷ / ₈	3 ¹ / ₂	4 ¹ / ₂	9	5	55 ¹ / ₂	3 ⁷ / ₈	3 ⁷ / ₈	60 ¹ / ₂	1 ¹ / ₂ T	1 ¹ / ₂ T	23.9	105
G4212LD	G4412LD	2 ¹ / ₂	1 ¹ / ₂ T	2 ³ / ₈	1T	⁷ / ₈	3 ¹ / ₂	4 ¹ / ₂	9	5	67 ¹ / ₂	3 ⁷ / ₈	3 ⁷ / ₈	72 ¹ / ₂	1 ¹ / ₂ T	1 ¹ / ₂ T	28.7	115
G4214LD	G4414LD	2 ¹ / ₂	1 ¹ / ₂ T	2 ³ / ₈	1T	⁷ / ₈	3 ¹ / ₂	4 ¹ / ₂	9	5	79 ¹ / ₂	3 ⁷ / ₈	3 ⁷ / ₈	84 ¹ / ₂	1 ¹ / ₂ T	1 ¹ / ₂ T	33.7	125
G4216LD	G4416LD	2 ¹ / ₂	1 ¹ / ₂ T	2 ³ / ₈	1T	⁷ / ₈	3 ¹ / ₂	4 ¹ / ₂	9	5	91 ¹ / ₂	3 ⁷ / ₈	3 ⁷ / ₈	96 ¹ / ₂	1 ¹ / ₂ T	1 ¹ / ₂ T	38.5	135
G4218LD	G4418LD	2 ¹ / ₂	1 ¹ / ₂ T	2 ³ / ₈	1T	⁷ / ₈	3 ¹ / ₂	4 ¹ / ₂	9	5	103 ¹ / ₂	3 ⁷ / ₈	3 ⁷ / ₈	108 ¹ / ₂	1 ¹ / ₂ T	1 ¹ / ₂ T	45.5	145
G4220LD	G4420LD	2 ¹ / ₂	1 ¹ / ₂ T	2 ³ / ₈	1T	⁷ / ₈	3 ¹ / ₂	4 ¹ / ₂	9	5	115 ¹ / ₂	3 ⁷ / ₈	3 ⁷ / ₈	120 ¹ / ₂	1 ¹ / ₂ T	1 ¹ / ₂ T	48.3	155

6 Inch Diameter

E6204LD	G6404LD	4	2T	3 ³ / ₄	1 ¹ / ₂ T	1 ¹ / ₄	3 ³ / ₄	6 ⁵ / ₈	11	5	18	5 ⁷ / ₈	5 ⁷ / ₈	25	2 ¹ / ₂ T	2 ¹ / ₂ T	17.7	138
E6206LD	G6406LD	4	2T	3 ³ / ₄	1 ¹ / ₂ T	1 ¹ / ₄	3 ³ / ₄	6 ⁵ / ₈	11	5	30	5 ⁷ / ₈	5 ⁷ / ₈	37	2 ¹ / ₂ T	2 ¹ / ₂ T	27.4	166
E6208LD	G6408LD	4	2T	3 ³ / ₄	1 ¹ / ₂ T	1 ¹ / ₄	3 ³ / ₄	6 ⁵ / ₈	11	5	42	5 ⁷ / ₈	5 ⁷ / ₈	49	2 ¹ / ₂ T	2 ¹ / ₂ T	37.2	200
E6210LD	G6410LD	4	2T	3 ³ / ₄	1 ¹ / ₂ T	1 ¹ / ₄	3 ³ / ₄	6 ⁵ / ₈	11	5	54	5 ⁷ / ₈	5 ⁷ / ₈	61	2 ¹ / ₂ T	2 ¹ / ₂ T	47.0	225
E6212LD	G6412LD	4	2T	3 ³ / ₄	1 ¹ / ₂ T	1 ¹ / ₄	3 ³ / ₄	6 ⁵ / ₈	11	5	66	5 ⁷ / ₈	5 ⁷ / ₈	73	2 ¹ / ₂ T	2 ¹ / ₂ T	56.8	253
E6214LD	G6414LD	4	2T	3 ³ / ₄	1 ¹ / ₂ T	1 ¹ / ₄	3 ³ / ₄	6 ⁵ / ₈	11	5	78	5 ⁷ / ₈	5 ⁷ / ₈	85	2 ¹ / ₂ T	2 ¹ / ₂ T	66.8	280
E6216LD	G6416LD	4	2T	3 ³ / ₄	1 ¹ / ₂ T	1 ¹ / ₄	3 ³ / ₄	6 ⁵ / ₈	11	5	90	5 ⁷ / ₈	5 ⁷ / ₈	97	2 ¹ / ₂ T	2 ¹ / ₂ T	76.6	308
E6218LD	G6418LD	4	2T	3 ³ / ₄	1 ¹ / ₂ T	1 ¹ / ₄	3 ³ / ₄	6 ⁵ / ₈	11	5	102	5 ⁷ / ₈	5 ⁷ / ₈	109	2 ¹ / ₂ T	2 ¹ / ₂ T	86.4	336
E6220LD	G6420LD	4	2T	3 ³ / ₄	1 ¹ / ₂ T	1 ¹ / ₄	3 ³ / ₄	6 ⁵ / ₈	11	5	114	5 ⁷ / ₈	5 ⁷ / ₈	121	2 ¹ / ₂ T	2 ¹ / ₂ T	96.2	364

8 Inch Diameter

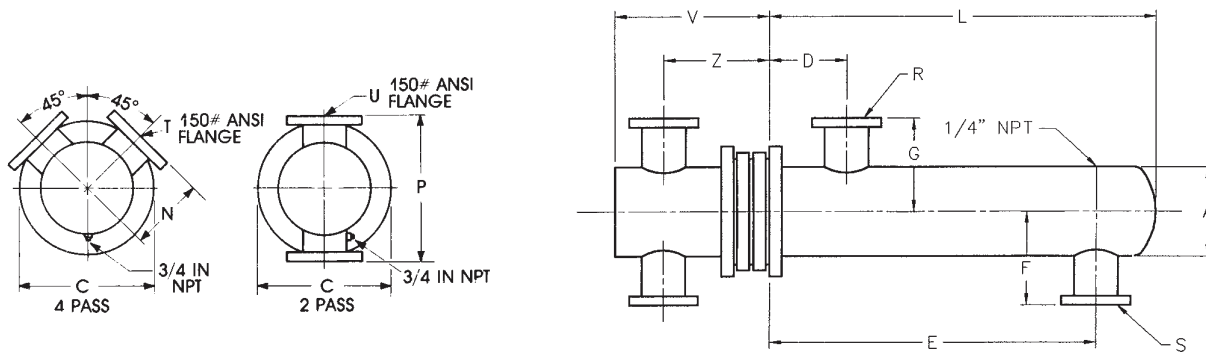
G8204LD	G8404LD	5	3T	4	2T	2	4 ¹ / ₄	8 ⁵ / ₈	13 ¹ / ₂	7 ¹ / ₄	17 ¹ / ₄	9 ¹ / ₄	9 ¹ / ₄	24	4F	4F	31.4	220
G8206LD	G8406LD	5	3T	4	2T	2	4 ¹ / ₄	8 ⁵ / ₈	13 ¹ / ₂	7 ¹ / ₄	29 ¹ / ₄	9 ¹ / ₄	9 ¹ / ₄	36	4F	4F	49.5	262
G8208LD	G8408LD	5	3T	4	2T	2	4 ¹ / ₄	8 ⁵ / ₈	13 ¹ / ₂	7 ¹ / ₄	41 ¹ / ₄	9 ¹ / ₄	9 ¹ / ₄	48	4F	4F	67.4	311
G8210LD	G8410LD	5	3T	4	2T	2	4 ¹ / ₄	8 ⁵ / ₈	13 ¹ / ₂	7 ¹ / ₄	53 ¹ / ₄	9 ¹ / ₄	9 ¹ / ₄	60	4F	4F	85.4	354
G8212LD	G8412L5	5	3T	4	2T	2	4 ¹ / ₄	8 ⁵ / ₈	13 ¹ / ₂	7 ¹ / ₄	65 ¹ / ₄	9 ¹ / ₄	9 ¹ / ₄	72	4F	4F	103.5	397
G8214LD	G8414LD	5	3T	4	2T	2	4 ¹ / ₄	8 ⁵ / ₈	13 ¹ / ₂	7 ¹ / ₄	77 ¹ / ₄	9 ¹ / ₄	9 ¹ / ₄	84	4F	4F	121.4	418
G8216LD	G8416LD	5	3T	4	2T	2	4 ¹ / ₄	8 ⁵ / ₈	13 ¹ / ₂	7 ¹ / ₄	89 ¹ / ₄	9 ¹ / ₄	9 ¹ / ₄	96	4F	4F	139.5	481
G8218LD	G8418LD	5	3T	4	2T	2	4 ¹ / ₄	8 ⁵ / ₈	13 ¹ / ₂	7 ¹ / ₄	101 ¹ / ₄	9 ¹ / ₄	9 ¹ / ₄	108	4F	4F	157.4	524
G8220LD	G8420LD	5	3T	4	2T	2	4 ¹ / ₄	8 ⁵ / ₈	13 ¹ / ₂	7 ¹ / ₄	113 ¹ / ₄	9 ¹ / ₄	9 ¹ / ₄	120	4F	4F	175.3	568

(* Dimensions are ANSI. For TEMA, consult factory.)

Dimensional Data

10 Inch Diameter

G10204LD	G10404LD	6 1/4	3T	5 1/2	3T	2 1/4	5 1/8	10 3/4	16	7 1/4	16 1/2	10 1/2	10 1/2	24	4F	4F	50.4	356
G10206LD	G10406LD	6 1/4	3T	5 1/2	3T	2 1/4	5 1/8	10 3/4	16	7 1/4	28 1/2	10 1/2	10 1/2	36	4F	4F	79.9	409
G10208LD	G10408LD	6 1/4	3T	5 1/2	3T	2 1/4	5 1/8	10 3/4	16	7 1/4	40 1/2	10 1/2	10 1/2	48	4F	4F	109.3	471
G10210LD	G10410LD	6 1/4	3T	5 1/2	3T	2 1/4	5 1/8	10 3/4	16	7 1/4	52 1/2	10 1/2	10 1/2	60	4F	4F	138.7	532
G10212LD	G10412LD	6 1/4	3T	5 1/2	3T	2 1/4	5 1/8	10 3/4	16	7 1/4	64 1/2	10 1/2	10 1/2	72	4F	4F	167.2	593
G10214LD	G10414LD	6 1/4	3T	5 1/2	3T	2 1/4	5 1/8	10 3/4	16	7 1/4	76 1/2	10 1/2	10 1/2	84	4F	4F	197.6	654
G10216LD	G10416LD	6 1/4	3T	5 1/2	3T	2 1/4	5 1/8	10 3/4	16	7 1/4	88 1/2	10 1/2	10 1/2	96	4F	4F	227.0	716
G10218LD	G10418LD	6 1/4	3T	5 1/2	3T	2 1/4	5 1/8	10 3/4	16	7 1/4	100 1/2	10 1/2	10 1/2	108	4F	4F	256.6	777
G10220LD	G10420LD	6 1/4	3T	5 1/2	3T	2 1/4	5 1/8	10 3/4	16	7 1/4	112 1/2	10 1/2	10 1/2	120	4F	4F	285.9	838



12 Inch Diameter

Model Number		Fabricated Steel Heads							Dimensions (Inches)									Heating Surface (Sq. Ft.)	Shipping Weight (Lbs.)	
2 Pass	4 Pass	2 Pass				4 Pass			2 and 4 Pass											
		P	U	V	Z	N	T	V	Z	A	C*	D	E	F	G	L	R			S
G12206LD	G12406LD	24	4F	16	11 1/2	12	3F	15 3/4	11 1/4	12 3/4	19	8	27 1/4	12	12	36 1/4	5F	5F	113.1	678
G12208LD	G12408LD	24	4F	16	11 1/2	12	3F	15 3/4	11 1/4	12 3/4	19	8	39 1/4	12	12	48 1/4	5F	5F	155.6	820
G12210LD	G12410LD	24	4F	16	11 1/2	12	3F	15 3/4	11 1/4	12 3/4	19	8	51 1/4	12	12	60 1/4	5F	5F	198.0	961
G12212LD	G12412LD	24	4F	16	11 1/2	12	3F	15 3/4	11 1/4	12 3/4	19	8	63 1/4	12	12	72 1/4	5F	5F	240.7	1107
G12214LD	G12414LD	24	4F	16	11 1/2	12	3F	15 3/4	11 1/4	12 3/4	19	8	75 1/4	12	12	84 1/4	5F	5F	283.2	1248
G12216LD	G12416LD	24	4F	16	11 1/2	12	3F	15 3/4	11 1/4	12 3/4	19	8	87 1/4	12	12	96 1/4	5F	5F	325.7	1388
G12218LD	G12418LD	24	4F	16	11 1/2	12	3F	15 3/4	11 1/4	12 3/4	19	8	99 1/4	12	12	108 1/4	5F	5F	368.2	1529
G12220LD	G12420LD	24	4F	16	11 1/2	12	3F	15 3/4	11 1/4	12 3/4	19	8	111 1/4	12	12	120 1/4	5F	5F	410.7	1670

14 Inch Diameter

G14206LD	G14406LD	26	6F	19	13	13	4F	19	12 1/4	14	21	8 1/2	27 1/2	13 1/4	13 1/4	37 1/4	6F	6F	157.6	787
G14208LD	G14408LD	26	6F	19	13	13	4F	19	12 1/4	14	21	8 1/2	39 1/2	13 1/4	13 1/4	49 1/4	6F	6F	213.2	956
G14210LD	G14410LD	26	6F	19	13	13	4F	19	12 1/4	14	21	8 1/2	51 1/2	13 1/4	13 1/4	61 1/4	6F	6F	268.8	1122
G14212LD	G14412LD	26	6F	19	13	13	4F	19	12 1/4	14	21	8 1/2	63 1/2	13 1/4	13 1/4	73 1/4	6F	6F	324.5	1286
G14214LD	G14414LD	26	6F	19	13	13	4F	19	12 1/4	14	21	8 1/2	75 1/2	13 1/4	13 1/4	85 1/4	6F	6F	380.0	1449
G14216LD	G14416LD	26	6F	19	13	13	4F	19	12 1/4	14	21	8 1/2	87 1/2	13 1/4	13 1/4	97 1/4	6F	6F	435.7	1614
G14218LD	G14418LD	26	6F	19	13	13	4F	19	12 1/4	14	21	8 1/2	99 1/2	13 1/4	13 1/4	109 1/4	6F	6F	491.5	1778
G14220LD	G14420LD	26	6F	19	13	13	4F	19	12 1/4	14	21	8 1/2	111 1/2	13 1/4	13 1/4	121 1/4	6F	6F	547.0	1943

Dimensional Data

16 Inch Diameter

G16206LD	G16406LD	28 1/2	6F	20 1/4	14	14 1/4	4F	20 1/4	12 3/4	16	23 1/2	9 3/4	25 1/2	14 1/2	14 1/2	37	8F	8F	217.6	1042
G16208LD	G16408LD	28 1/2	6F	20 1/4	14	14 1/4	4F	20 1/4	12 3/4	16	23 1/2	9 3/4	37 1/2	14 1/2	14 1/2	49	8F	8F	294.5	1259
G16210LD	G16410LD	28 1/2	6F	20 1/4	14	14 1/4	4F	20 1/4	12 3/4	16	23 1/2	9 3/4	49 1/2	14 1/2	14 1/2	61	8F	8F	371.4	1476
G16212LD	G16412LD	28 1/2	6F	20 1/4	14	14 1/4	4F	20 1/4	12 3/4	16	23 1/2	9 3/4	61 1/2	14 1/2	14 1/2	73	8F	8F	448.4	1698
G16214LD	G16414LD	28 1/2	6F	20 1/4	14	14 1/4	4F	20 1/4	12 3/4	16	23 1/2	9 3/4	73 1/2	14 1/2	14 1/2	85	8F	8F	525.2	1879
G16216LD	G16416LD	28 1/2	6F	20 1/4	14	14 1/4	4F	20 1/4	12 3/4	16	23 1/2	9 3/4	85 1/2	14 1/2	14 1/2	97	8F	8F	602.0	2096
G16218LD	G16418LD	28 1/2	6F	20 1/4	14	14 1/4	4F	20 1/4	12 3/4	16	23 1/2	9 3/4	97 1/2	14 1/2	14 1/2	109	8F	8F	678.9	2314
G16220LD	G16420LD	28 1/2	6F	20 1/4	14	14 1/4	4F	20 1/4	12 3/4	16	23 1/2	9 3/4	109 1/2	14 1/2	14 1/2	121	8F	8F	755.9	2530

(* Dimensions are ANSI. For TEMA, consult factory.)

18 Inch Diameter

Model Number		Fabricated Steel Heads								Dimensions (Inches)								Heating Surface (Sq. Ft.)	Shipping Weight (Lbs.)	
2 Pass	4 Pass	2 Pass				4 Pass				2 and 4 Pass										
		P	U	V	Z	N	T	V	Z	A	C*	D	E	F	G	L	R			S
G18206LD	G18406LD	30	6F	20 3/4	14 1/2	15	4F	20 3/4	13 1/4	18	25	10	24 1/2	15 1/4	15 1/4	36 1/2	8F	8F	272.2	1283
G18208LD	G18408LD	30	6F	20 3/4	14 1/2	15	4F	20 3/4	13 1/4	18	25	10	36 1/2	15 1/4	15 1/4	48 1/2	8F	8F	368.6	1551
G18210LD	G18410LD	30	6F	20 3/4	14 1/2	15	4F	20 3/4	13 1/4	18	25	10	48 1/2	15 1/4	15 1/4	60 1/2	8F	8F	465.2	1817
G18212LD	G18412LD	30	6F	20 3/4	14 1/2	15	4F	20 3/4	13 1/4	18	25	10	60 1/2	15 1/4	15 1/4	72 1/2	8F	8F	561.6	2087
G18214LD	G18414LD	30	6F	20 3/4	14 1/2	15	3F	20 3/4	13 1/4	18	25	10	72 1/2	15 1/4	15 1/4	84 1/2	8F	8F	658.3	2333
G18216LD	G18416LD	30	6F	20 3/4	14 1/2	15	4F	20 3/4	13 1/4	18	25	10	84 1/2	15 1/4	15 1/4	96 1/2	8F	8F	754.7	2601
G18218LD	G18418LD	30	6F	20 3/4	14 1/2	15	4F	20 3/4	13 1/4	18	25	10	96 1/2	15 1/4	15 1/4	108 1/2	8F	8F	851.3	2869
G18220LD	G18420LD	30	6F	20 3/4	14 1/2	15	4F	20 3/4	13 1/4	18	25	10	108 1/2	15 1/4	15 1/4	120 1/2	8F	8F	947.3	3137

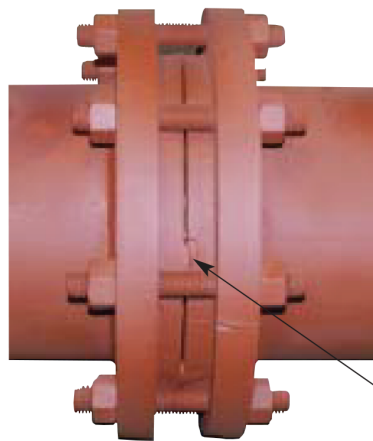
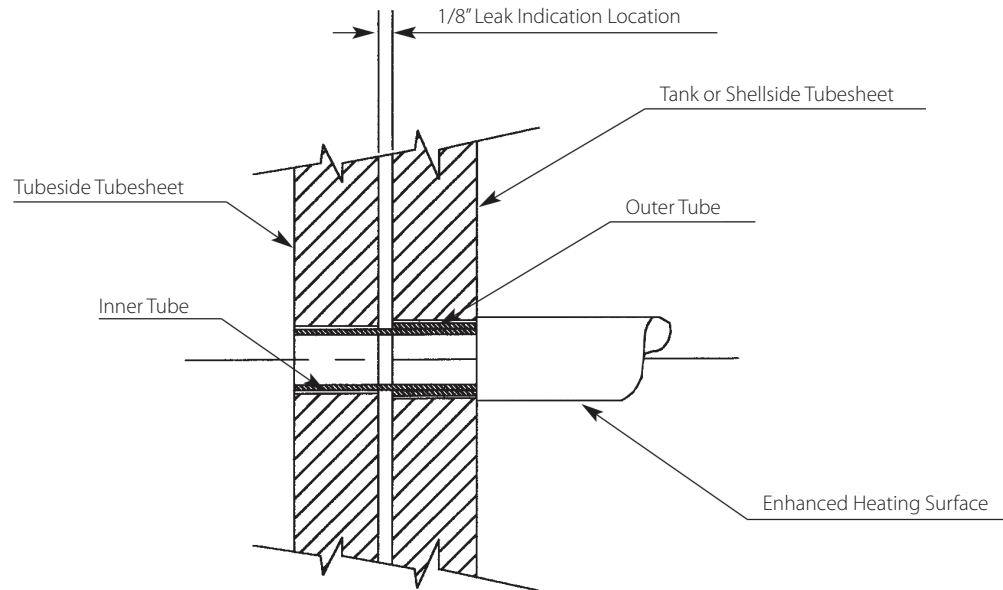
20 Inch Diameter

G20208LD	G20408LD	32 1/2	6F	22	15 1/2	16 1/4	4F	22	17 1/4	20	27 1/2	11 1/4	35	16 1/2	16 1/2	48 3/4	10F	10F	341.3	1665
G20210LD	G20410LD	32 1/2	6F	22	15 1/2	16 1/4	4F	22	17 1/4	20	27 1/2	11 1/4	47	16 1/2	16 1/2	60 3/4	10F	10F	456.6	1934
G20212LD	G20412LD	32 1/2	6F	22	15 1/2	16 1/4	4F	22	17 1/4	20	27 1/2	11 1/4	59	16 1/2	16 1/2	72 3/4	10F	10F	589.9	2205
G20214LD	G20414LD	32 1/2	6F	22	15 1/2	16 1/4	4F	22	17 1/4	20	27 1/2	11 1/4	71	16 1/2	16 1/2	84 3/4	10F	10F	714.3	2474
G20216LD	G20416LD	32 1/2	6F	22	15 1/2	16 1/4	4F	22	17 1/4	20	27 1/2	11 1/4	83	16 1/2	16 1/2	96 3/4	10F	10F	838.6	2744
G20218LD	G20418LD	32 1/2	6F	22	15 1/2	16 1/4	4F	22	17 1/4	20	27 1/2	11 1/4	95	16 1/2	16 1/2	108 3/4	10F	10F	962.9	3028
G20220LD	G20420LD	32 1/2	6F	22	15 1/2	16 1/4	4F	22	17 1/4	20	27 1/2	11 1/4	107	16 1/2	16 1/2	120 3/4	10F	10F	1087.5	3299

(* Dimensions are ANSI. For TEMA, consult factory.)

Construction

Leak Guard Double Tube Plate Construction



Integral Leak Path Spacers
Positioned for Maximum
Tube to Tubesheet Joint
Protection

Sizing and Selection

Refer to Selection Guide 200-2A for manual selection procedure.

Computer selections available through TACO Representatives.

Following data is required:

1. Flow in tubes (GPM).
2. Entering liquid temperature in tubes (°F).
3. Leaving liquid temperature in tubes (°F).
4. Flow in shell (GPM).
5. Entering liquid temperature in shell (°F).
6. Leaving liquid temperature in shell (°F).
7. Fouling factors.
8. Properties of fluids (If other than water).

If using fluid not available in the selection tool please contact your local Taco Representative.

<https://www.tacomfort.com/rep-locator/>

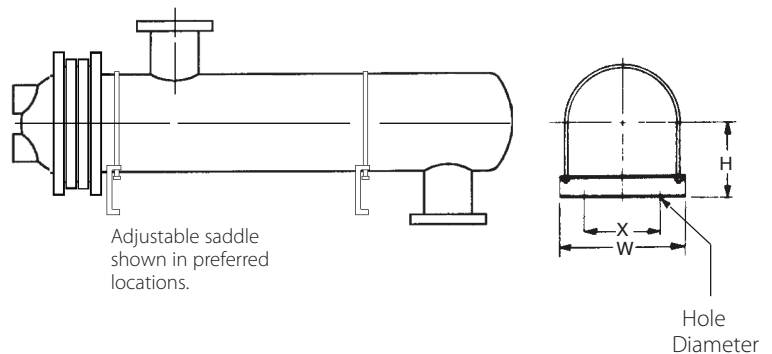
Taco's Product Selection Tools include Expansion Tank Sizing, Air/Dirt Separators, Buffer Tanks, Multi-Purpose Tanks, Shell and Tube Heat Exchangers, and Brazed Plate Heat Exchangers which can be found at:

<https://apps.tacomfort.com/>

For Plate and Frame Selections please contact your local Taco Representative

Typical Saddle Dimensions (Optional)

Unit Size	Dimensions (inches)			
	H	W	X	Hole Dia.
4	5 1/4	6 15/16	5 1/2	1/2
6	6 5/16	9 1/4	7 1/2	5/8
8	7 5/16	11 1/4	9	5/8
10	8 3/8	13 5/8	10	3/4
12	9 3/8	15 3/4	11	3/4
14	10	17	12	3/4
16	12	19	13	3/4
18	13	21	14	3/4
20	14	23	14	3/4
22	17	25	18	7/8
24	18	27	19	7/8
26	19	30	20	7/8
30	21	33	22	7/8



Note:

Two adjustable U-bolt type saddles furnished when specified only.

