

SUPERSEDES: 401-021 dated March 1, 2009

EFFECTIVE: December 1, 2009

Job: _____ Engineer: _____ Contractor: _____ Rep: _____

Quantity	Item No.	Model No.	Precharge*	Working Pressure

*Standard precharge is 12 PSIG. (83 KPa)

FOR USE IN CLOSED SYSTEMS ONLY.

CONSTRUCTION

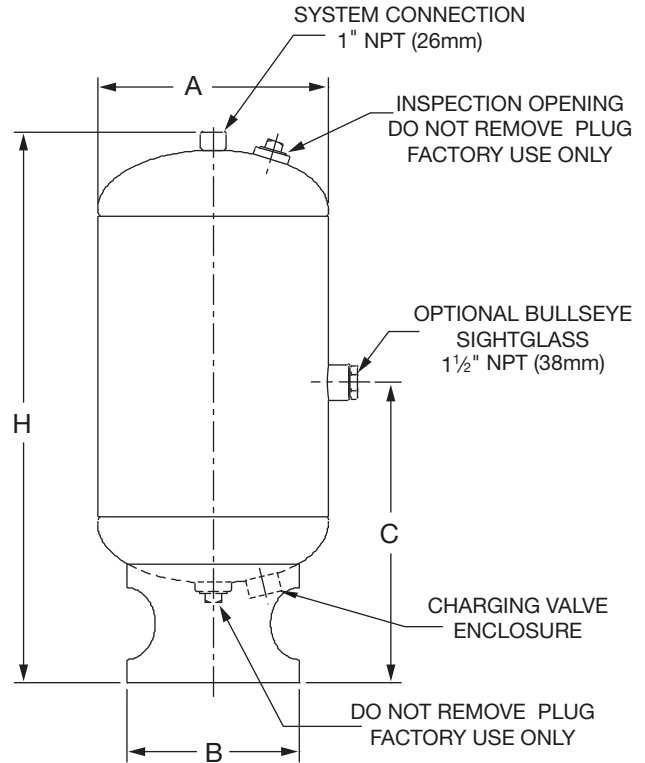
- Diaphragm type for permanent separation of air and water.
- Water expands into upper tank volume, deflecting diaphragm downward. Air precharge is in the lower tank volume.

SPECIFICATIONS

- Shell – Fabricated Steel designed and constructed per ASME Section VIII, Div. 1.
- Diaphragm – Heavy Duty Butyl (Non Replaceable).
- Working Pressure – 125 PSIG (862 KPa) only.
- Operating Temperature – 240°F (116°C) Max.

OPTIONS

- California Sight Glass
- Seismic Clips (4)



DIMENSIONS

All dimensions shown are subject to change and should not be used for pre-piping. Contact your local Taco representative should certified dimensional drawings be required.

MODEL NUMBER	TANK VOLUME		ACCEPT. VOLUME		H HEIGHT		A DIAMETER		B DIAMETER		C DIM.		APPROX. SHIPPING WEIGHT	
	GAL.	LIT.	GAL.	LIT.	INCH	MM	INCH	MM	INCH	MM	INCH	MM	LBS.	Kg
CX30-125	8	30	5	17	22 1/2	572	14	356	12	305	12 1/2	318	45	20
CX42-125	11	42	5	17	27 1/2	699	14	356	12	305	16 1/4	413	51	23
CX84-125	23	84	10	36	37	940	16	406	12	305	16 1/8	510	83	38
CX130-125	35	130	15	56	51 1/4	1302	16	406	12	305	19 3/8	492	110	50
CX170-125	45	170	15	56	63 3/4	1619	16	406	12	305	28 7/8	733	135	61
CX215-125	57	215	27	102	54	1372	20	508	16	406	20	508	186	85
CX254-125	67	254	27	102	61 3/4	1568	20	508	16	406	26 3/4	679	205	94
CX300-125	79	300	41	155	53 3/8	1356	24	610	20	508	19 1/4	489	260	119
CX350-125	92	350	41	155	60 1/4	1530	24	610	20	508	26 1/8	664	280	128

COMMENTS: _____

