

## Flanged In-Line Air Separator – 125 psi

SUPERSEDES: October 8, 2014

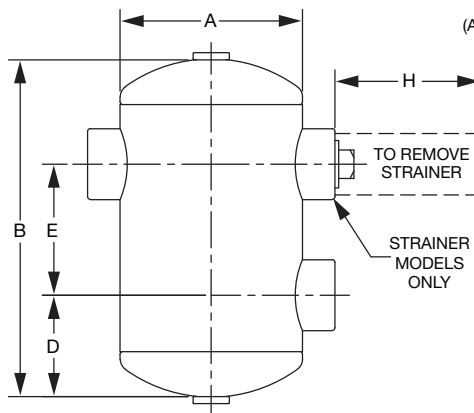
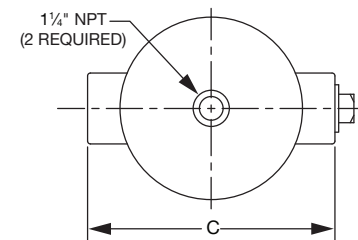
EFFECTIVE: November 24, 2015

Job: \_\_\_\_\_ Engineer: \_\_\_\_\_ Contractor: \_\_\_\_\_ Rep: \_\_\_\_\_

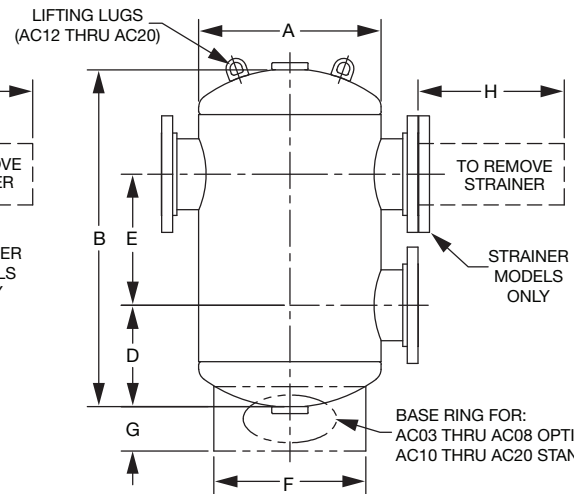
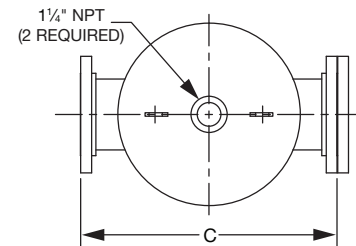
| ITEM | LOCATION | MODEL | QUANTITY | SIZE |
|------|----------|-------|----------|------|
|------|----------|-------|----------|------|

### SPECIFICATIONS & OPTIONS

- Designed and constructed per ASME Code Section VIII, Division 1.
- Maximum Design Pressure and Operating Temperature: 125 psi @ 375°F
- Materials of Construction: Carbon Steel with optional 304SS Strainer
- Exterior Finish: Red Oxide Primer
- Larger sizes available. Please consult factory.



AC02F – AC025F  
(THREADED CONNECTIONS)



AC03F – AC20F  
(FLANGED CONNECTIONS – ANSI CL.150 RFSSO)



### SIZES & DIMENSIONS

All dimensions shown are subject to change and should not be used for pre-piping. Contact your local Taco representative should certified dimensional drawings be required.

| PIPE SIZE | MODEL NUMBER  |               | A DIA. (INCH) | B MAX. (INCH)                  | C (INCH) | D (INCH)                         | E (INCH)                       | F DIA. (INCH) | G (INCH)                      | H (INCH) | OPTIMUM FLOW (GPM) | STRAINER FREE AREA (INCH <sup>2</sup> ) | Cv FACTOR     |               | APPROXIMATE DRY WEIGHT (LBS.) |               |
|-----------|---------------|---------------|---------------|--------------------------------|----------|----------------------------------|--------------------------------|---------------|-------------------------------|----------|--------------------|---|---------------|---------------|-------------------------------|---------------|
|           | LESS STRAINER | WITH STRAINER |               |                                |          |                                  |                                |               |                               |          |                    |   | LESS STRAINER | WITH STRAINER | LESS STRAINER                 | WITH STRAINER |
| 2         | AC02-125      | AC02F-125     | 12            | 22 <sup>1</sup> / <sub>8</sub> | 14       | 7 <sup>9</sup> / <sub>16</sub>   | 7                              | —             | —                             | 13       | 104                | 31                                      | 86            | 72            | 40                            | 45            |
| 2½        | AC025-125     | AC025F-125    | 12            | 22 <sup>1</sup> / <sub>8</sub> | 14       | 7 <sup>9</sup> / <sub>16</sub>   | 7                              | —             | —                             | 13       | 149                | 38                                      | 122           | 102           | 40                            | 45            |
| 3         | AC03-125      | AC03F-125     | 14            | 27 <sup>1</sup> / <sub>4</sub> | 24       | 8                                | 11 <sup>1</sup> / <sub>4</sub> | 12            | 6 <sup>3</sup> / <sub>4</sub> | 22       | 230                | 51                                      | 190           | 162           | 90                            | 110           |
| 4         | AC04-125      | AC04F-125     | 16            | 31 <sup>3</sup> / <sub>8</sub> | 26       | 9 <sup>5</sup> / <sub>16</sub>   | 12 <sup>3</sup> / <sub>4</sub> | 12            | 7                             | 24       | 416                | 80                                      | 325           | 272           | 115                           | 145           |
| 5         | AC05-125      | AC05F-125     | 16            | 32 <sup>1</sup> / <sub>2</sub> | 26       | 9 <sup>9</sup> / <sub>16</sub>   | 13 <sup>3</sup> / <sub>4</sub> | 12            | 7                             | 24       | 623                | 112                                     | 510           | 422           | 130                           | 165           |
| 6         | AC06-125      | AC06F-125     | 20            | 36 <sup>7</sup> / <sub>8</sub> | 30       | 11 <sup>1</sup> / <sub>16</sub>  | 14 <sup>3</sup> / <sub>4</sub> | 16            | 6 <sup>3</sup> / <sub>4</sub> | 27       | 956                | 180                                     | 750           | 618           | 170                           | 215           |
| 8         | AC08-125      | AC08F-125     | 20            | 45 <sup>1</sup> / <sub>2</sub> | 30       | 14 <sup>1</sup> / <sub>16</sub>  | 17 <sup>3</sup> / <sub>8</sub> | 16            | 6 <sup>3</sup> / <sub>4</sub> | 27       | 1666               | 246                                     | 1260          | 1060          | 270                           | 345           |
| 10        | AC10-125      | AC10F-125     | 24            | 47 <sup>3</sup> / <sub>4</sub> | 36       | 14 <sup>15</sup> / <sub>16</sub> | 17 <sup>7</sup> / <sub>8</sub> | 20            | 6 <sup>3</sup> / <sub>4</sub> | 32       | 2635               | 392                                     | 2000          | 1670          | 350                           | 465           |
| 12        | AC12-125      | AC12F-125     | 30            | 59 <sup>3</sup> / <sub>4</sub> | 42       | 17 <sup>9</sup> / <sub>8</sub>   | 24 <sup>1</sup> / <sub>2</sub> | 24            | 7 <sup>7</sup> / <sub>8</sub> | 37       | 3749               | 548                                     | 2900          | 2400          | 600                           | 775           |
| 14        | AC14-125      | AC14F-125     | 36            | 68 <sup>1</sup> / <sub>2</sub> | 48       | 20 <sup>3</sup> / <sub>4</sub>   | 27                             | 30            | 7 <sup>7</sup> / <sub>8</sub> | 44       | 4298               | 732                                     | 3500          | 2850          | 805                           | 1035          |
| 16        | AC16-125      | AC16F-125     | 36            | 75 <sup>1</sup> / <sub>2</sub> | 48       | 22 <sup>1</sup> / <sub>4</sub>   | 31                             | 30            | 7 <sup>7</sup> / <sub>8</sub> | 43       | 5693               | 845                                     | 4600          | 3800          | 875                           | 1150          |
| 18        | AC18-125      | AC18F-125     | 48            | 84 <sup>1</sup> / <sub>4</sub> | 64       | 24 <sup>5</sup> / <sub>8</sub>   | 35                             | 40            | 7 <sup>7</sup> / <sub>8</sub> | 56       | 7496               | 1290                                    | 5900          | 4900          | 1550                          | 1900          |
| 20        | AC20-125      | AC20F-125     | 48            | 91                             | 64       | 26                               | 39                             | 40            | 8 <sup>3</sup> / <sub>8</sub> | 56       | 9307               | 1435                                    | 7400          | 6200          | 1700                          | 2150          |

COMMENTS: \_\_\_\_\_

## Flanged In-Line Air Separator – 150 psi

SUPERSEDES: October 9, 2014

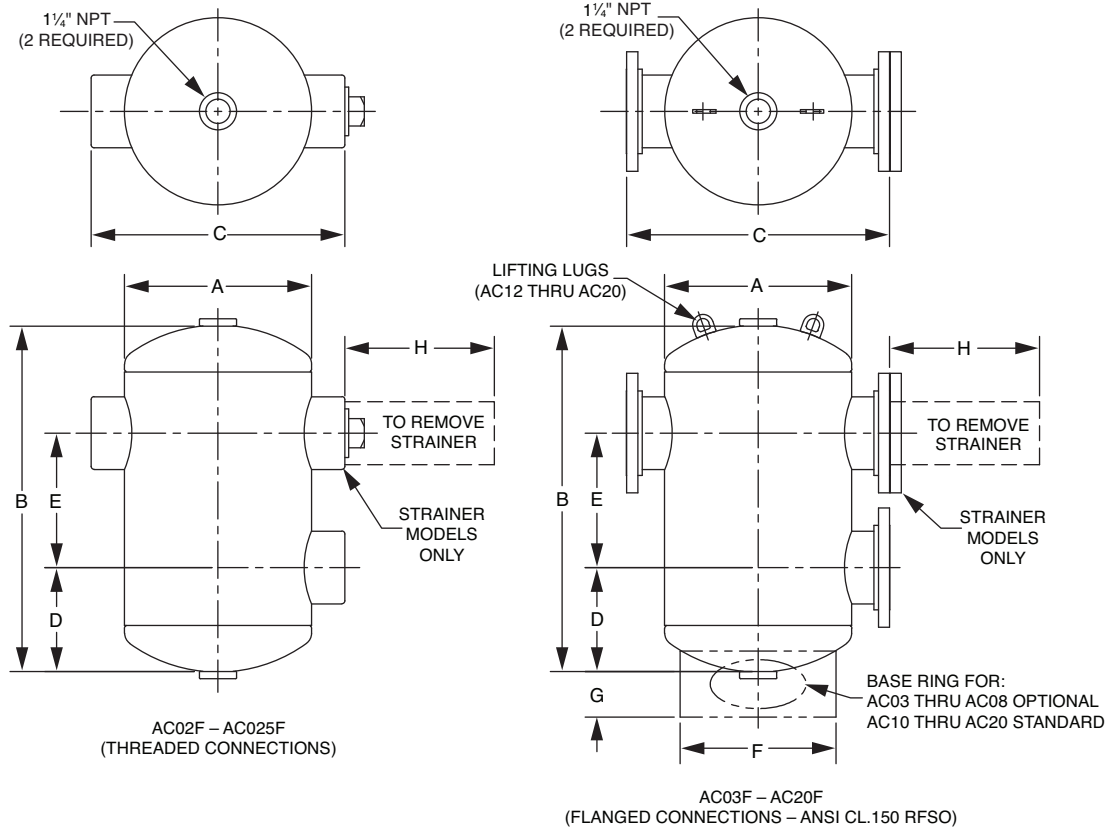
EFFECTIVE: November 24, 2015

Job: \_\_\_\_\_ Engineer: \_\_\_\_\_ Contractor: \_\_\_\_\_ Rep: \_\_\_\_\_

| ITEM | LOCATION | MODEL | QUANTITY | SIZE |
|------|----------|-------|----------|------|
|------|----------|-------|----------|------|

### SPECIFICATIONS & OPTIONS

- Designed and constructed per ASME Code Section VIII, Division 1.
- Maximum Design Pressure and Operating Temperature: 150 psi @ 375°F
- Materials of Construction: Carbon Steel with optional 304SS Strainer
- Exterior Finish: Red Oxide Primer
- Larger sizes available. Please consult factory.



### SIZES & DIMENSIONS

All dimensions shown are subject to change and should not be used for pre-piping. Contact your local Taco representative should certified dimensional drawings be required.

| PIPE SIZE | MODEL NUMBER  |               | A DIA. (INCH) | B MAX. (INCH) | C (INCH) | D (INCH) | E (INCH) | F DIA. (INCH) | G (INCH) | H (INCH) | OPTIMUM FLOW (GPM) | STRAINER FREE AREA (INCH <sup>2</sup> ) | Cv FACTOR     |               | APPROXIMATE DRY WEIGHT (LBS.) |               |
|-----------|---------------|---------------|---------------|---------------|----------|----------|----------|---------------|----------|----------|--------------------|---|---------------|---------------|-------------------------------|---------------|
|           | LESS STRAINER | WITH STRAINER |               |               |          |          |          |               |          |          |                    |   | LESS STRAINER | WITH STRAINER | LESS STRAINER                 | WITH STRAINER |
| 2         | AC02-150      | AC02F-150     | 12            | 22 1/8        | 14       | 7 9/16   | 7        | —             | —        | 13       | 104                | 31                                      | 86            | 72            | 40                            | 45            |
| 2 1/2     | AC025-150     | AC025F-150    | 12            | 22 1/8        | 14       | 7 9/16   | 7        | —             | —        | 13       | 149                | 38                                      | 122           | 102           | 40                            | 45            |
| 3         | AC03-150      | AC03F-150     | 14            | 27 1/4        | 24       | 8        | 11 1/4   | 12            | 6 1/2    | 22       | 230                | 51                                      | 190           | 162           | 90                            | 110           |
| 4         | AC04-150      | AC04F-150     | 16            | 31 3/8        | 26       | 9 5/16   | 12 3/4   | 12            | 7        | 24       | 416                | 80                                      | 325           | 272           | 115                           | 145           |
| 5         | AC05-150      | AC05F-150     | 16            | 32 1/2        | 26       | 9 5/16   | 13 3/4   | 12            | 7        | 24       | 623                | 112                                     | 510           | 422           | 130                           | 165           |
| 6         | AC06-150      | AC06F-150     | 20            | 36 7/8        | 30       | 11 1/16  | 14 3/4   | 16            | 6 3/4    | 27       | 956                | 180                                     | 750           | 618           | 185                           | 230           |
| 8         | AC08-150      | AC08F-150     | 20            | 45 1/2        | 30       | 14 1/16  | 17 3/8   | 16            | 6 3/4    | 27       | 1666               | 246                                     | 1260          | 1060          | 285                           | 360           |
| 10        | AC10-150      | AC10F-150     | 24            | 47 3/4        | 36       | 14 15/16 | 17 7/8   | 20            | 6 3/4    | 32       | 2635               | 392                                     | 2000          | 1670          | 390                           | 505           |
| 12        | AC12-150      | AC12F-150     | 30            | 59 3/4        | 42       | 17 5/8   | 24 1/2   | 24            | 7 3/4    | 40       | 3749               | 548                                     | 2900          | 2400          | 600                           | 775           |
| 14        | AC14-150      | AC14F-150     | 36            | 68 1/2        | 48       | 20 3/4   | 27       | 30            | 7 3/4    | 44       | 4298               | 732                                     | 3500          | 2850          | 970                           | 1200          |
| 16        | AC16-150      | AC16F-150     | 36            | 75 1/2        | 48       | 22 1/4   | 31       | 30            | 7 3/4    | 43       | 5693               | 845                                     | 4600          | 3800          | 1055                          | 1330          |
| 18        | AC18-150      | AC18F-150     | 48            | 84 1/4        | 64       | 24 5/8   | 35       | 40            | 7 3/4    | 56       | 7496               | 1290                                    | 5900          | 4900          | 1800                          | 2150          |
| 20        | AC20-150      | AC20F-150     | 48            | 91            | 64       | 26       | 39       | 40            | 8 5/8    | 56       | 9307               | 1435                                    | 7400          | 6200          | 1955                          | 2405          |

COMMENTS: \_\_\_\_\_



SUPERSEDES: October 9, 2014

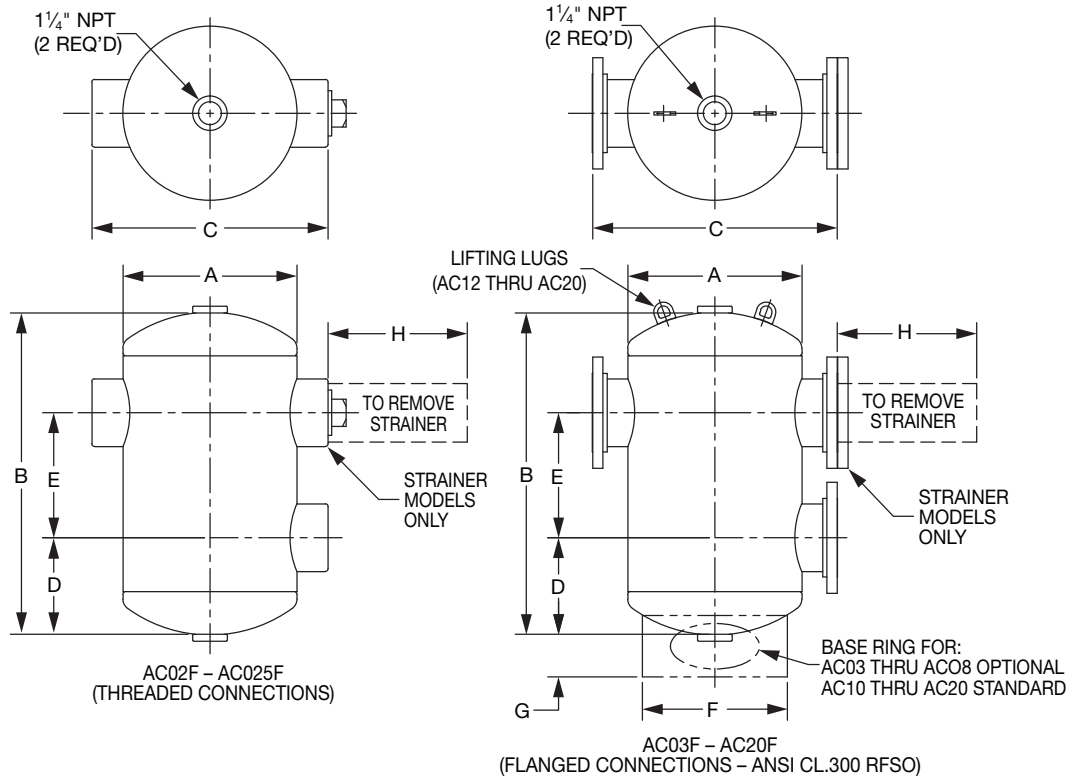
EFFECTIVE: NOVEMBER 24, 2015

Job: \_\_\_\_\_ Engineer: \_\_\_\_\_ Contractor: \_\_\_\_\_ Rep: \_\_\_\_\_

| ITEM | LOCATION | MODEL | QUANTITY | SIZE |
|------|----------|-------|----------|------|
|      |          |       |          |      |

**SPECIFICATIONS & OPTIONS**

- Designed and constructed per ASME Code Section VIII, Division 1.
- Maximum Design Pressure and Operating Temperature: 250 psi @ 375°F
- Materials of Construction: Carbon Steel with optional 304SS Strainer
- Exterior Finish: Red Oxide Primer
- Larger sizes available. Please consult factory.



**SIZES & DIMENSIONS**

All dimensions shown are subject to change and should not be used for pre-piping. Contact your local Taco representative should certified dimensional drawings be required.

| PIPE SIZE | MODEL NUMBER  |               | A DIA. (INCH)                  | B MAX. (INCH)                  | C (INCH)                       | D (INCH)                         | E (INCH)                         | F DIA. (INCH) | G (INCH)                      | H (INCH) | OPTIMUM FLOW (GPM) | STRAINER FREE AREA (INCH <sup>2</sup> ) | C <sub>v</sub> FACTOR |               | APPROXIMATE DRY WEIGHT (LBS.) |               |
|-----------|---------------|---------------|--------------------------------|--------------------------------|--------------------------------|----------------------------------|----------------------------------|---------------|-------------------------------|----------|--------------------|---|-----------------------|---------------|-------------------------------|---------------|
|           | LESS STRAINER | WITH STRAINER |                                |                                |                                |                                  |                                  |               |                               |          |                    |   | LESS STRAINER         | WITH STRAINER | LESS STRAINER                 | WITH STRAINER |
| 2         | AC02-250      | AC02F-250     | 8 <sup>5</sup> / <sub>8</sub>  | 18 <sup>1</sup> / <sub>2</sub> | 10 <sup>7</sup> / <sub>8</sub> | 6 <sup>5</sup> / <sub>16</sub>   | 5 <sup>3</sup> / <sub>8</sub>    | —             | —                             | 10       | 80                 | 22                                      | 86                    | 72            | 45                            | 50            |
| 2½        | AC025-250     | AC025F-250    | 10 <sup>3</sup> / <sub>4</sub> | 21 <sup>1</sup> / <sub>8</sub> | 13                             | 7 <sup>7</sup> / <sub>8</sub>    | 5 <sup>7</sup> / <sub>8</sub>    | —             | —                             | 12       | 130                | 34                                      | 122                   | 102           | 55                            | 60            |
| 3         | AC03-250      | AC03F-250     | 14                             | 33 <sup>3</sup> / <sub>8</sub> | 20 <sup>3</sup> / <sub>4</sub> | 11                               | 11 <sup>3</sup> / <sub>8</sub>   | 12            | 6 <sup>1</sup> / <sub>2</sub> | 20       | 190                | 51                                      | 190                   | 162           | 120                           | 160           |
| 4         | AC04-250      | AC04F-250     | 16                             | 36 <sup>1</sup> / <sub>2</sub> | 25 <sup>1</sup> / <sub>4</sub> | 11 <sup>13</sup> / <sub>16</sub> | 12 <sup>7</sup> / <sub>8</sub>   | 12            | 7                             | 24       | 330                | 80                                      | 325                   | 272           | 170                           | 230           |
| 5         | AC05-250      | AC05F-250     | 16                             | 38 <sup>1</sup> / <sub>2</sub> | 25 <sup>1</sup> / <sub>4</sub> | 12 <sup>3</sup> / <sub>8</sub>   | 13 <sup>13</sup> / <sub>16</sub> | 12            | 7                             | 24       | 550                | 112                                     | 510                   | 422           | 195                           | 280           |
| 6         | AC06-250      | AC06F-250     | 20                             | 42 <sup>7</sup> / <sub>8</sub> | 29 <sup>1</sup> / <sub>4</sub> | 14 <sup>1</sup> / <sub>16</sub>  | 14 <sup>3</sup> / <sub>4</sub>   | 16            | 6 <sup>3</sup> / <sub>4</sub> | 27       | 900                | 180                                     | 750                   | 618           | 315                           | 425           |
| 8         | AC08-250      | AC08F-250     | 20                             | 47 <sup>1</sup> / <sub>2</sub> | 29 <sup>3</sup> / <sub>4</sub> | 15 <sup>1</sup> / <sub>16</sub>  | 17 <sup>3</sup> / <sub>8</sub>   | 16            | 6 <sup>3</sup> / <sub>4</sub> | 28       | 1500               | 246                                     | 1260                  | 1060          | 380                           | 535           |
| 10        | AC10-250      | AC10F-250     | 24                             | 54 <sup>7</sup> / <sub>8</sub> | 34 <sup>3</sup> / <sub>4</sub> | 16 <sup>7</sup> / <sub>8</sub>   | 21                               | 20            | 6 <sup>3</sup> / <sub>4</sub> | 32       | 2600               | 392                                     | 2000                  | 1670          | 630                           | 860           |
| 12        | AC12-250      | AC12F-250     | 30                             | 63 <sup>5</sup> / <sub>8</sub> | 42                             | 19 <sup>9</sup> / <sub>16</sub>  | 25                               | 24            | 7 <sup>3</sup> / <sub>4</sub> | 37       | 3400               | 548                                     | 2900                  | 2400          | 1075                          | 1430          |
| 14        | AC14-250      | AC14F-250     | 36                             | 70 <sup>1</sup> / <sub>2</sub> | 48 <sup>3</sup> / <sub>4</sub> | 21 <sup>1</sup> / <sub>2</sub>   | 27 <sup>1</sup> / <sub>2</sub>   | 30            | 7 <sup>3</sup> / <sub>4</sub> | 44       | 4700               | 732                                     | 3500                  | 2850          | 1470                          | 1960          |
| 16        | AC16-250      | AC16F-250     | 36                             | 76 <sup>1</sup> / <sub>2</sub> | 49 <sup>3</sup> / <sub>4</sub> | 22 <sup>1</sup> / <sub>2</sub>   | 31 <sup>1</sup> / <sub>2</sub>   | 30            | 7 <sup>3</sup> / <sub>4</sub> | 43       | 6000               | 845                                     | 4600                  | 3800          | 1600                          | 2150          |
| 18        | AC18-250      | AC18F-250     | 42                             | 86 <sup>1</sup> / <sub>2</sub> | 55 <sup>3</sup> / <sub>4</sub> | 25 <sup>1</sup> / <sub>2</sub>   | 35 <sup>1</sup> / <sub>2</sub>   | 35            | 7 <sup>3</sup> / <sub>4</sub> | 50       | 8000               | 1125                                    | 5900                  | 4900          | 2510                          | 3240          |
| 20        | AC20-250      | AC20F-250     | 48                             | 96 <sup>1</sup> / <sub>2</sub> | 62 <sup>1</sup> / <sub>4</sub> | 28 <sup>1</sup> / <sub>4</sub>   | 40                               | 40            | 8 <sup>5</sup> / <sub>8</sub> | 56       | 10000              | 1435                                    | 7400                  | 6200          | 3250                          | 4180          |

COMMENTS: \_\_\_\_\_

SUPERSEDES: October 16, 2014

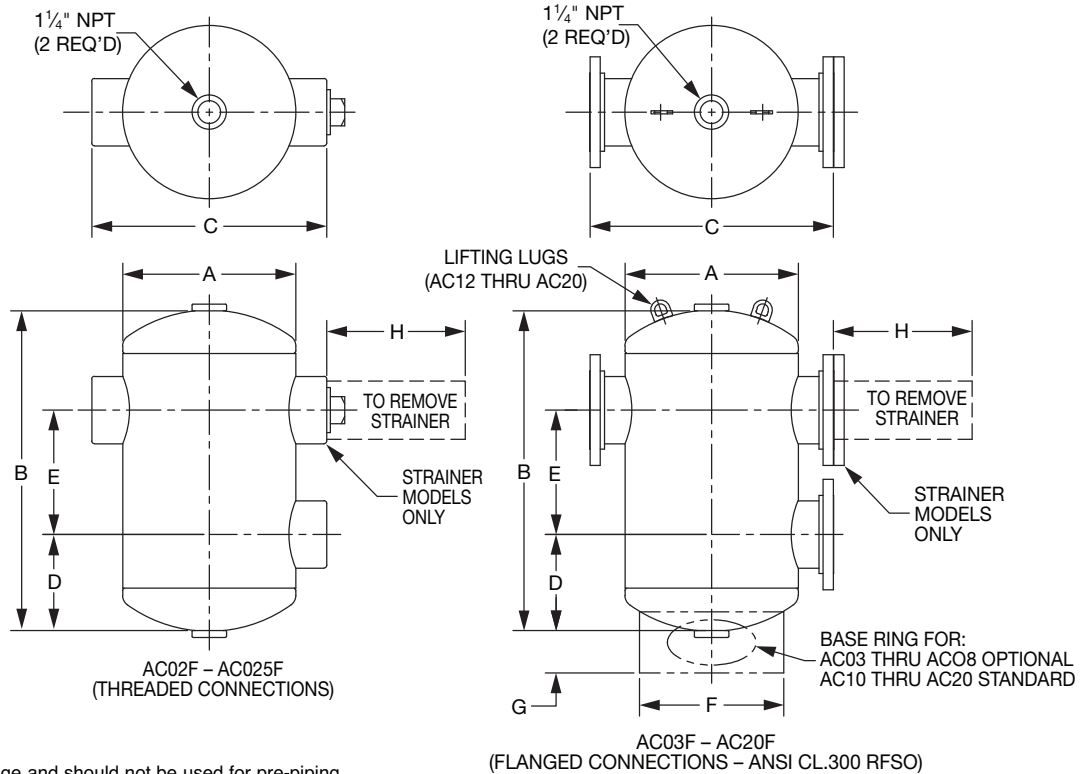
EFFECTIVE: November 24, 2015

Job: \_\_\_\_\_ Engineer: \_\_\_\_\_ Contractor: \_\_\_\_\_ Rep: \_\_\_\_\_

| ITEM | LOCATION | MODEL | QUANTITY | SIZE |
|------|----------|-------|----------|------|
|      |          |       |          |      |

**SPECIFICATIONS & OPTIONS**

- Designed and constructed per ASME Code Section VIII, Division 1.
- Maximum Design Pressure and Operating Temperature: 300 psi @ 375°F
- Materials of Construction: Carbon Steel with optional 304SS Strainer
- Exterior Finish: Red Oxide Primer
- Larger sizes available. Please consult factory.



**SIZES & DIMENSIONS**

All dimensions shown are subject to change and should not be used for pre-piping. Contact your local Taco representative should certified dimensional drawings be required.

| PIPE SIZE | MODEL NUMBER  |               | A DIA. (INCH)                  | B MAX. (INCH)                  | C (INCH)                       | D (INCH)                         | E (INCH)                         | F DIA. (INCH) | G (INCH)                      | H (INCH) | OPTIMUM FLOW (GPM) | STRainer FREE AREA (INCH <sup>2</sup> ) | C <sub>v</sub> FACTOR |               | APPROXIMATE DRY WEIGHT (LBS.) |               |
|-----------|---------------|---------------|--------------------------------|--------------------------------|--------------------------------|----------------------------------|----------------------------------|---------------|-------------------------------|----------|--------------------|---|-----------------------|---------------|-------------------------------|---------------|
|           | LESS STRainer | WITH STRainer |                                |                                |                                |                                  |                                  |               |                               |          |                    |   | LESS STRainer         | WITH STRainer | LESS STRainer                 | WITH STRainer |
| 2         | AC02-300      | AC02F-300     | 8 <sup>5</sup> / <sub>8</sub>  | 18 <sup>1</sup> / <sub>2</sub> | 10 <sup>7</sup> / <sub>8</sub> | 6 <sup>9</sup> / <sub>16</sub>   | 5 <sup>3</sup> / <sub>8</sub>    | —             | —                             | 10       | 80                 | 22                                      | 86                    | 72            | 50                            | 50            |
| 2½        | AC025-300     | AC025F-300    | 10 <sup>3</sup> / <sub>4</sub> | 21 <sup>1</sup> / <sub>8</sub> | 13                             | 7 <sup>5</sup> / <sub>8</sub>    | 5 <sup>7</sup> / <sub>8</sub>    | —             | —                             | 12       | 130                | 34                                      | 122                   | 102           | 60                            | 60            |
| 3         | AC03-300      | AC03F-300     | 14                             | 33 <sup>3</sup> / <sub>8</sub> | 20 <sup>3</sup> / <sub>4</sub> | 11                               | 11 <sup>1</sup> / <sub>8</sub>   | 12            | 6 <sup>1</sup> / <sub>2</sub> | 20       | 190                | 51                                      | 190                   | 162           | 130                           | 160           |
| 4         | AC04-300      | AC04F-300     | 16                             | 36 <sup>1</sup> / <sub>2</sub> | 25 <sup>1</sup> / <sub>4</sub> | 11 <sup>13</sup> / <sub>16</sub> | 12 <sup>7</sup> / <sub>8</sub>   | 12            | 7                             | 24       | 330                | 80                                      | 325                   | 272           | 180                           | 230           |
| 5         | AC05-300      | AC05F-300     | 16                             | 38 <sup>1</sup> / <sub>2</sub> | 25 <sup>1</sup> / <sub>4</sub> | 12 <sup>3</sup> / <sub>8</sub>   | 13 <sup>13</sup> / <sub>16</sub> | 12            | 7                             | 24       | 550                | 112                                     | 510                   | 422           | 215                           | 280           |
| 6         | AC06-300      | AC06F-300     | 20                             | 42 <sup>7</sup> / <sub>8</sub> | 29 <sup>1</sup> / <sub>4</sub> | 14 <sup>1</sup> / <sub>16</sub>  | 14 <sup>3</sup> / <sub>4</sub>   | 16            | 6 <sup>3</sup> / <sub>4</sub> | 27       | 900                | 180                                     | 750                   | 618           | 340                           | 435           |
| 8         | AC08-300      | AC08F-300     | 20                             | 47 <sup>1</sup> / <sub>2</sub> | 29 <sup>3</sup> / <sub>4</sub> | 15 <sup>1</sup> / <sub>16</sub>  | 17 <sup>3</sup> / <sub>8</sub>   | 16            | 6 <sup>3</sup> / <sub>4</sub> | 28       | 1500               | 246                                     | 1260                  | 1060          | 400                           | 550           |
| 10        | AC10-300      | AC10F-300     | 24                             | 54 <sup>7</sup> / <sub>8</sub> | 34 <sup>3</sup> / <sub>4</sub> | 16 <sup>15</sup> / <sub>16</sub> | 21                               | 20            | 6 <sup>3</sup> / <sub>4</sub> | 32       | 2600               | 392                                     | 2000                  | 1670          | 680                           | 890           |
| 12        | AC12-300      | AC12F-300     | 30                             | 63 <sup>5</sup> / <sub>8</sub> | 42                             | 19 <sup>5</sup> / <sub>16</sub>  | 25                               | 24            | 7 <sup>3</sup> / <sub>4</sub> | 37       | 3400               | 548                                     | 2900                  | 2400          | 1120                          | 1430          |
| 14        | AC14-300      | AC14F-300     | 36                             | 70 <sup>1</sup> / <sub>2</sub> | 48 <sup>3</sup> / <sub>4</sub> | 21 <sup>1</sup> / <sub>2</sub>   | 27 <sup>1</sup> / <sub>2</sub>   | 30            | 7 <sup>3</sup> / <sub>4</sub> | 44       | 4700               | 732                                     | 3500                  | 2850          | 1770                          | 2200          |
| 16        | AC16-300      | AC16F-300     | 36                             | 76 <sup>1</sup> / <sub>2</sub> | 49 <sup>3</sup> / <sub>4</sub> | 22 <sup>1</sup> / <sub>2</sub>   | 31 <sup>1</sup> / <sub>2</sub>   | 30            | 7 <sup>3</sup> / <sub>4</sub> | 43       | 6000               | 845                                     | 4600                  | 3800          | 1950                          | 2450          |
| 18        | AC18-300      | AC18F-300     | 42                             | 86 <sup>1</sup> / <sub>2</sub> | 55 <sup>3</sup> / <sub>4</sub> | 25 <sup>1</sup> / <sub>2</sub>   | 35 <sup>1</sup> / <sub>2</sub>   | 35            | 7 <sup>3</sup> / <sub>4</sub> | 50       | 8000               | 1125                                    | 5900                  | 4900          | 2620                          | 3280          |
| 20        | AC20-300      | AC20F-300     | 48                             | 96 <sup>1</sup> / <sub>2</sub> | 62 <sup>1</sup> / <sub>4</sub> | 28 <sup>1</sup> / <sub>4</sub>   | 40                               | 40            | 8 <sup>1</sup> / <sub>2</sub> | 56       | 10000              | 1435                                    | 7400                  | 6200          | 3960                          | 4800          |

COMMENTS: \_\_\_\_\_

## Grooved In-Line Air Separator – 125 psi

SUPERSEDES: October 19, 2014

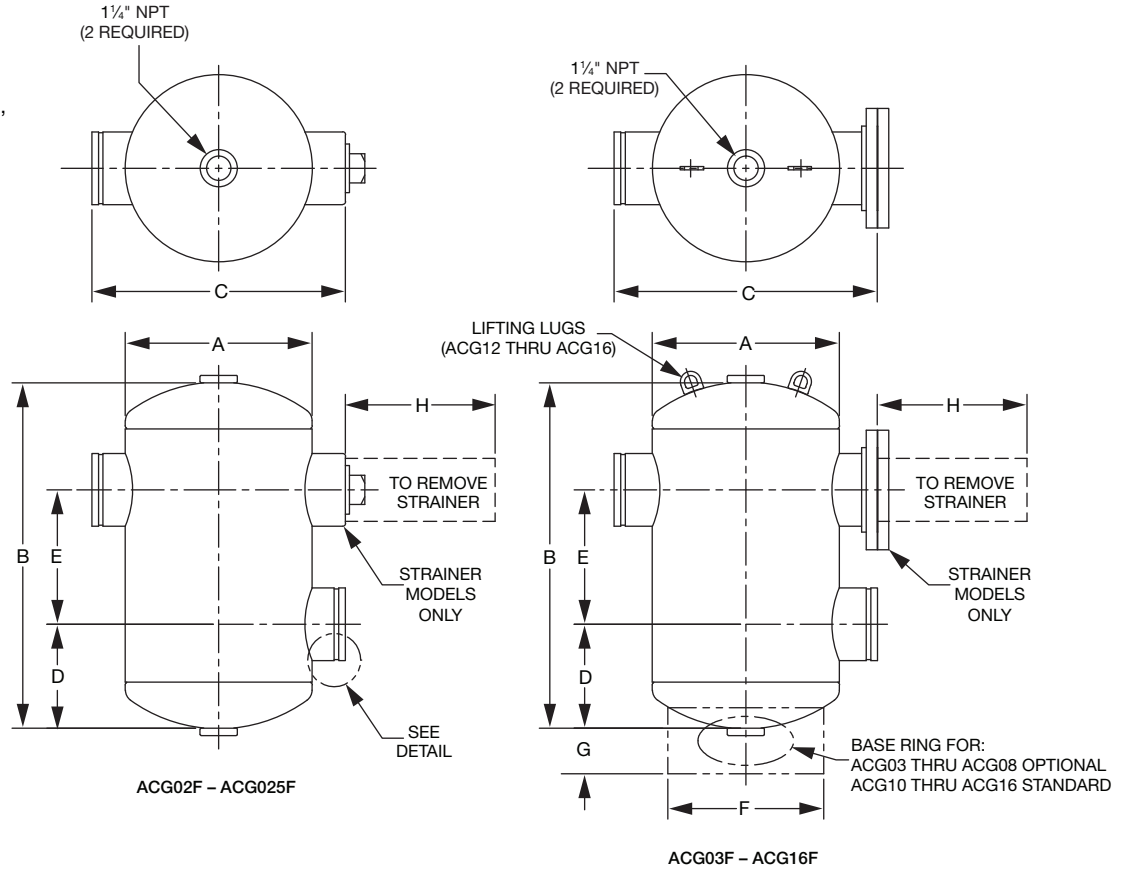
EFFECTIVE: November 24, 2015

Job: \_\_\_\_\_ Engineer: \_\_\_\_\_ Contractor: \_\_\_\_\_ Rep: \_\_\_\_\_

| ITEM | LOCATION | MODEL | QUANTITY | SIZE |
|------|----------|-------|----------|------|
|------|----------|-------|----------|------|

### SPECIFICATIONS & OPTIONS

- Designed and constructed per ASME Code Section VIII, Division 1.
- Maximum Design Pressure and Operating Temperature: 125 psi @ 375°F
- Materials of Construction: Carbon Steel with optional 304SS Strainer
- Exterior Finish: Red Oxide Primer
- Larger sizes available. Please consult factory.



### SIZES & DIMENSIONS

All dimensions shown are subject to change and should not be used for pre-piping. Contact your local Taco representative should certified dimensional drawings be required.

| PIPE SIZE | MODEL NUMBER  |               | A DIA. (IN.) | B MAX. (IN.) | C (IN.) | D (IN.)  | E (IN.) | F DIA. (IN.) | G (IN.) | H (IN.) | J (IN.) | K (IN.) | L (IN.) | OPTIM. FLOW (GPM) | STRAINER FREE AREA (INCH <sup>2</sup> ) | Cv FACTOR     |               | APPROXIMATE DRY WEIGHT (LBS.) |               |
|-----------|---------------|---------------|--------------|--------------|---------|----------|---------|--------------|---------|---------|---------|---------|---------|-------------------|---|---------------|---------------|-------------------------------|---------------|
|           | LESS STRAINER | WITH STRAINER |              |              |         |          |         |              |         |         |         |         |         |                   |   | LESS STRAINER | WITH STRAINER | LESS STRAINER                 | WITH STRAINER |
| 2         | ACG02-125     | ACG02F-125    | 12           | 22 1/8       | 22      | 7 9/16   | 7       | —            | —       | 17      | .625    | .063    | .313    | 80                | 31                                      | 86            | 72            | 40                            | 45            |
| 2 1/2     | ACG025-125    | ACG025F-125   | 12           | 22 1/8       | 22      | 7 9/16   | 7       | —            | —       | 17      | .625    | .078    | .313    | 130               | 38                                      | 122           | 102           | 40                            | 45            |
| 3         | ACG03-125     | ACG03F-125    | 14           | 27 1/4       | 24      | 8        | 11 1/4  | 12           | 6 3/4   | 22      | .625    | .078    | .313    | 190               | 51                                      | 190           | 162           | 75                            | 95            |
| 4         | ACG04-125     | ACG04F-125    | 16           | 31 3/8       | 26      | 9 5/16   | 12 3/4  | 12           | 7       | 24      | .625    | .083    | .375    | 330               | 80                                      | 325           | 272           | 90                            | 115           |
| 5         | ACG05-125     | ACG05F-125    | 16           | 32 1/2       | 26      | 9 5/16   | 13 3/4  | 12           | 7       | 24      | .625    | .084    | .375    | 550               | 112                                     | 510           | 422           | 100                           | 135           |
| 6         | ACG06-125     | ACG06F-125    | 20           | 36 7/8       | 30      | 11 1/16  | 14 3/4  | 16           | 6 3/4   | 27      | .625    | .085    | .375    | 900               | 180                                     | 750           | 618           | 130                           | 175           |
| 8         | ACG08-125     | ACG08F-125    | 20           | 45 1/2       | 30      | 14 1/16  | 17 3/8  | 16           | 6 3/4   | 27      | .750    | .092    | .438    | 1500              | 246                                     | 1260          | 1060          | 210                           | 285           |
| 10        | ACG10-125     | ACG10F-125    | 24           | 47 3/4       | 36      | 14 15/16 | 17 7/8  | 20           | 6 3/4   | 32      | .750    | .094    | .500    | 2600              | 392                                     | 2000          | 1670          | 265                           | 375           |
| 12        | ACG12-125     | ACG12F-125    | 30           | 59 3/4       | 42      | 17 5/8   | 24 1/2  | 24           | 7 7/8   | 37      | .750    | .109    | .500    | 3400              | 548                                     | 2900          | 2400          | 470                           | 645           |
| 14        | ACG14-125     | ACG14F-125    | 36           | 68 1/2       | 48      | 20 3/4   | 27      | 30           | 7 7/8   | 44      | .938    | .109    | .500    | 4700              | 732                                     | 3500          | 2850          | 625                           | 855           |
| 16        | ACG16-125     | ACG16F-125    | 36           | 75 1/2       | 48      | 22 1/4   | 31      | 30           | 7 7/8   | 43      | .938    | .109    | .500    | 6000              | 845                                     | 4600          | 3800          | 670                           | 950           |

COMMENTS: \_\_\_\_\_



## Grooved In-Line Air Separator – 150 psi

SUPERSEDES: October 9, 2014

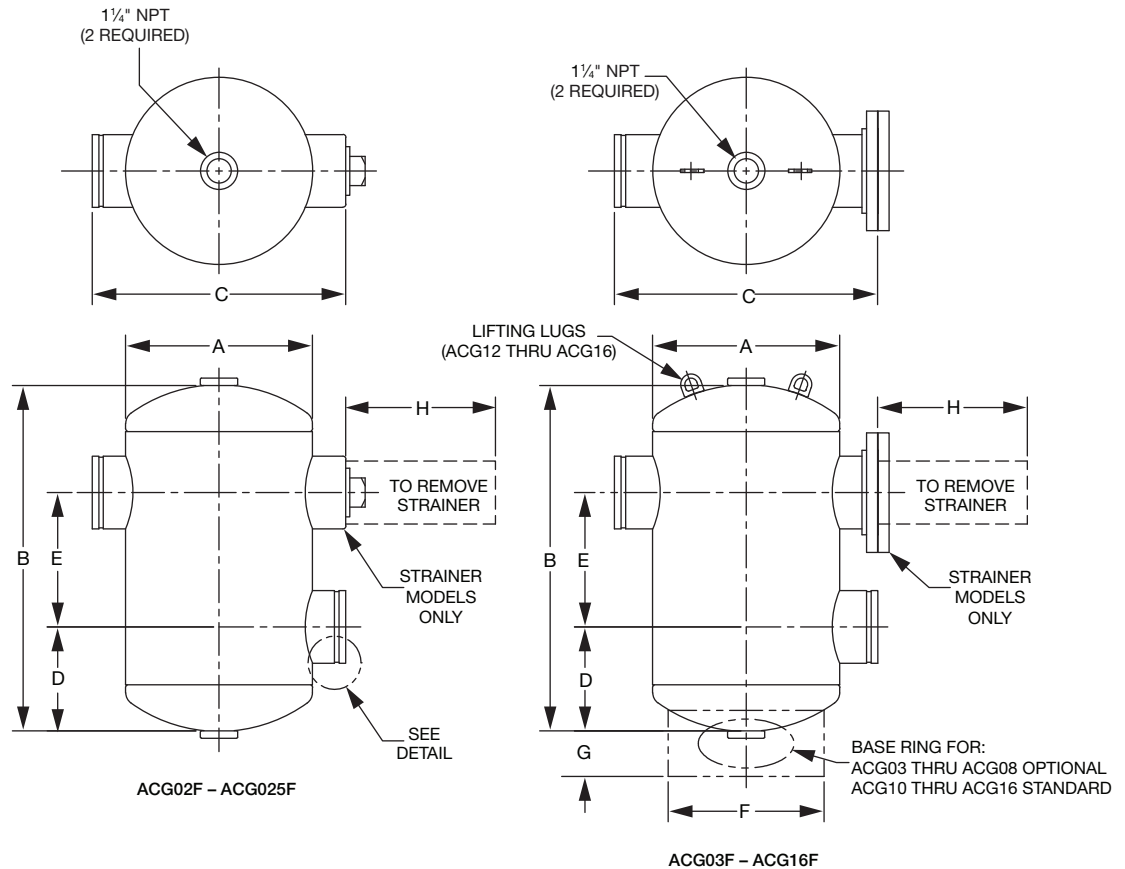
EFFECTIVE: November 24, 2015

Job: \_\_\_\_\_ Engineer: \_\_\_\_\_ Contractor: \_\_\_\_\_ Rep: \_\_\_\_\_

| ITEM | LOCATION | MODEL | QUANTITY | SIZE |
|------|----------|-------|----------|------|
|------|----------|-------|----------|------|

### SPECIFICATIONS & OPTIONS

- Designed and constructed per ASME Code Section VIII, Division 1.
- Maximum Design Pressure and Operating Temperature: 150 psi @ 375°F
- Materials of Construction: Carbon Steel with optional 304SS Strainer
- Exterior Finish: Red Oxide Primer
- Larger sizes available. Please consult factory.



### SIZES & DIMENSIONS

All dimensions shown are subject to change and should not be used for pre-piping. Contact your local Taco representative should certified dimensional drawings be required.

| PIPE SIZE | MODEL NUMBER  |               | A DIA. (IN.) | B MAX. (IN.)                   | C (IN.) | D (IN.)                          | E (IN.)                        | F DIA. (IN.) | G (IN.)                       | H (IN.) | J (IN.) | K (IN.) | L (IN.) | OPTIM. FLOW (GPM) | STRAINER FREE AREA (INCH <sup>2</sup> ) | C <sub>v</sub> FACTOR |               | APPROXIMATE DRY WEIGHT (LBS.) |               |
|-----------|---------------|---------------|--------------|--------------------------------|---------|----------------------------------|--------------------------------|--------------|-------------------------------|---------|---------|---------|---------|-------------------|---|-----------------------|---------------|-------------------------------|---------------|
|           | LESS STRAINER | WITH STRAINER |              |                                |         |                                  |                                |              |                               |         |         |         |         |                   |   | LESS STRAINER         | WITH STRAINER | LESS STRAINER                 | WITH STRAINER |
| 2         | ACG02-150     | ACG02F-150    | 12           | 22 <sup>1</sup> / <sub>8</sub> | 22      | 7 <sup>9</sup> / <sub>16</sub>   | 7                              | —            | —                             | 17      | .625    | .063    | .313    | 80                | 31                                      | 86                    | 72            | 40                            | 45            |
| 2½        | ACG025-150    | ACG025F-150   | 12           | 22 <sup>1</sup> / <sub>8</sub> | 22      | 7 <sup>9</sup> / <sub>16</sub>   | 7                              | —            | —                             | 17      | .625    | .078    | .313    | 130               | 38                                      | 122                   | 102           | 40                            | 45            |
| 3         | ACG03-150     | ACG03F-150    | 14           | 27 <sup>1</sup> / <sub>4</sub> | 24      | 8                                | 11 <sup>1</sup> / <sub>4</sub> | 12           | 6 <sup>3</sup> / <sub>4</sub> | 22      | .625    | .078    | .313    | 190               | 51                                      | 190                   | 162           | 75                            | 95            |
| 4         | ACG04-150     | ACG04F-150    | 16           | 31 <sup>3</sup> / <sub>8</sub> | 26      | 9 <sup>5</sup> / <sub>16</sub>   | 12 <sup>3</sup> / <sub>4</sub> | 12           | 7                             | 24      | .625    | .083    | .375    | 330               | 80                                      | 325                   | 272           | 90                            | 115           |
| 5         | ACG05-150     | ACG05F-150    | 16           | 32 <sup>1</sup> / <sub>2</sub> | 26      | 9 <sup>5</sup> / <sub>16</sub>   | 13 <sup>3</sup> / <sub>4</sub> | 12           | 7                             | 24      | .625    | .084    | .375    | 550               | 112                                     | 510                   | 422           | 100                           | 135           |
| 6         | ACG06-150     | ACG06F-150    | 20           | 36 <sup>7</sup> / <sub>8</sub> | 30      | 11 <sup>1</sup> / <sub>16</sub>  | 14 <sup>3</sup> / <sub>4</sub> | 16           | 6 <sup>3</sup> / <sub>4</sub> | 27      | .625    | .085    | .375    | 900               | 180                                     | 750                   | 618           | 145                           | 190           |
| 8         | ACG08-150     | ACG08F-150    | 20           | 45 <sup>1</sup> / <sub>2</sub> | 30      | 14 <sup>1</sup> / <sub>16</sub>  | 17 <sup>3</sup> / <sub>8</sub> | 16           | 6 <sup>3</sup> / <sub>4</sub> | 27      | .750    | .092    | .438    | 1500              | 246                                     | 1260                  | 1060          | 225                           | 300           |
| 10        | ACG10-150     | ACG10F-150    | 24           | 47 <sup>3</sup> / <sub>4</sub> | 36      | 14 <sup>15</sup> / <sub>16</sub> | 17 <sup>7</sup> / <sub>8</sub> | 20           | 6 <sup>3</sup> / <sub>4</sub> | 32      | .750    | .094    | .500    | 2600              | 392                                     | 2000                  | 1670          | 305                           | 415           |
| 12        | ACG12-150     | ACG12F-150    | 30           | 59 <sup>3</sup> / <sub>4</sub> | 42      | 17 <sup>5</sup> / <sub>8</sub>   | 24 <sup>1</sup> / <sub>2</sub> | 24           | 7 <sup>7</sup> / <sub>8</sub> | 37      | .750    | .109    | .500    | 3400              | 548                                     | 2900                  | 2400          | 470                           | 645           |
| 14        | ACG14-150     | ACG14F-150    | 36           | 68 <sup>1</sup> / <sub>2</sub> | 48      | 20 <sup>3</sup> / <sub>4</sub>   | 27                             | 30           | 7 <sup>7</sup> / <sub>8</sub> | 44      | .938    | .109    | .500    | 4700              | 732                                     | 3500                  | 2850          | 790                           | 1020          |
| 16        | ACG16-150     | ACG16F-150    | 36           | 75 <sup>1</sup> / <sub>2</sub> | 48      | 22 <sup>1</sup> / <sub>4</sub>   | 31                             | 30           | 7 <sup>7</sup> / <sub>8</sub> | 43      | .938    | .109    | .500    | 6000              | 845                                     | 4600                  | 3800          | 850                           | 1130          |

COMMENTS: \_\_\_\_\_

