

## 110 Series In-Line Circulators

EFFECTIVE: November 8, 2014

SUPERSEDES: February 1, 2013

JOB \_\_\_\_\_ ENGINEER \_\_\_\_\_ CONTRACTOR \_\_\_\_\_ REP. \_\_\_\_\_

ITEM	MODEL NO.	IMP. DIA.	G.P.M.	HEAD (FT.)	H.P.	ELEC. CHAR.
------	-----------	-----------	--------	------------	------	-------------

### 110 Series (110, 111, 112, 113, 120) Red Baron Circulators

#### Rugged Motor Built to Last:

- Resilient mounted, split phase motor with built-in overload protector
- Equipped with sleeve bearings for quiet operation

#### Proven Pump Construction:

- One piece non-ferrous impeller
- Stainless steel shaft
- Rugged bronze sleeve bearing
- Two piece carbon/ceramic seal assembly
- Durable one piece spring coupling

#### Factory Tested:

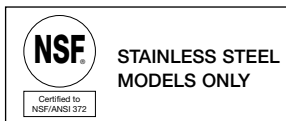
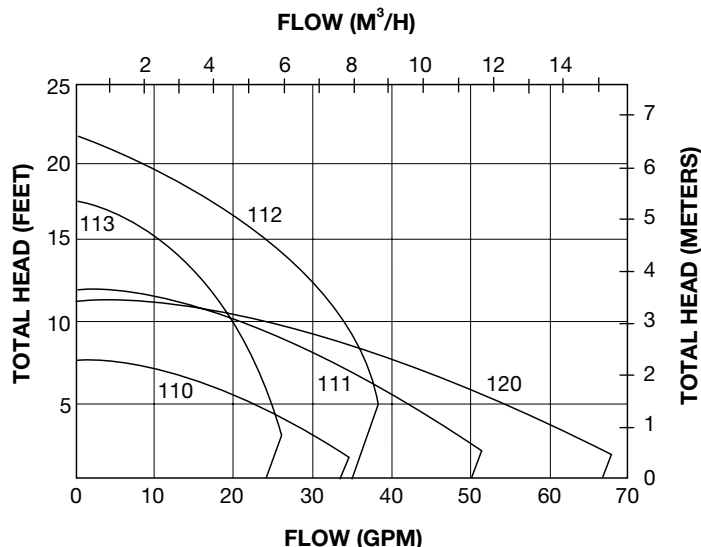
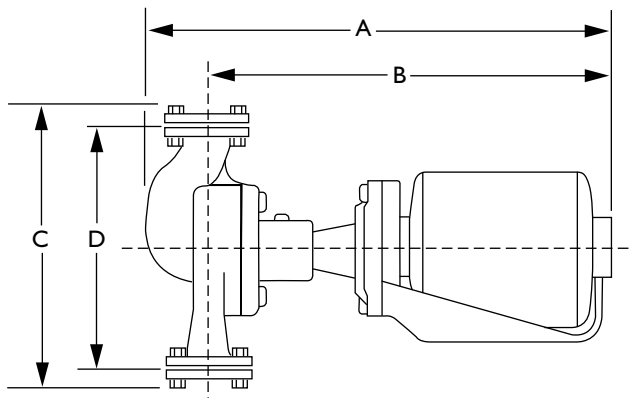
- Every circulator is operated before shipment

#### Easy, Low-Cost Service:

- No special tools required
- Nationwide parts availability

#### Accessories and Options:

- Available in all stainless steel construction
- Companion Freedom® flanges available in 3/4", 1", 1 1/4" and 1 1/2"
- Freedom® Shut-off flanges available in 3/4", 1", 1 1/4" and 1 1/2" allow easy isolation and service



#### Specifications:

MODEL NUMBER (1)	FLANGE SIZE	MOTOR (2) (115V/60 HZ/1 PH)		MAXIMUM TEMP. (3)	PRESSURE RATING	DIMENSIONS								APPROX. SHIPPING	
		HP	RPM			A		B		C		D		LBS.	KG
						IN.	MM	IN.	MM	IN.	MM	IN.	MM		
110	3/4", 1", 1 1/4", 1 1/2"	1/12	1725	240°F	125 psi	14 5/8	371.5	12 5/8	320.7	7 7/8	200.0	6 5/16	160.3	21	9.5
111		1/8		240°F (3)		16 1/4	412.8	13 7/8	352.4	10 1/4	260.4	8 3/4	222.3	26	11.8
112		1/3	3450	240°F		16 1/2	419.1	14 1/2	368.3	7 7/8	200.0	6 3/8	161.9	28	12.7
113		1/8	1725	240°F (3)		16 1/4	412.8	14	355.6	10 1/8	257.2	8 1/2	215.9	27	12.2
120	2"	1/6				16 7/8	428.6	14 1/4	362.0	13 1/2	342.9	11	279.4	46	20.9

(1) When specifying all stainless steel construction, add letter "S" after model number (e.g. 110S).

(2) Motors are available with other electrical characteristics – consult your Taco representative.

(3) 240° Intermittent, 200° Continuous.

