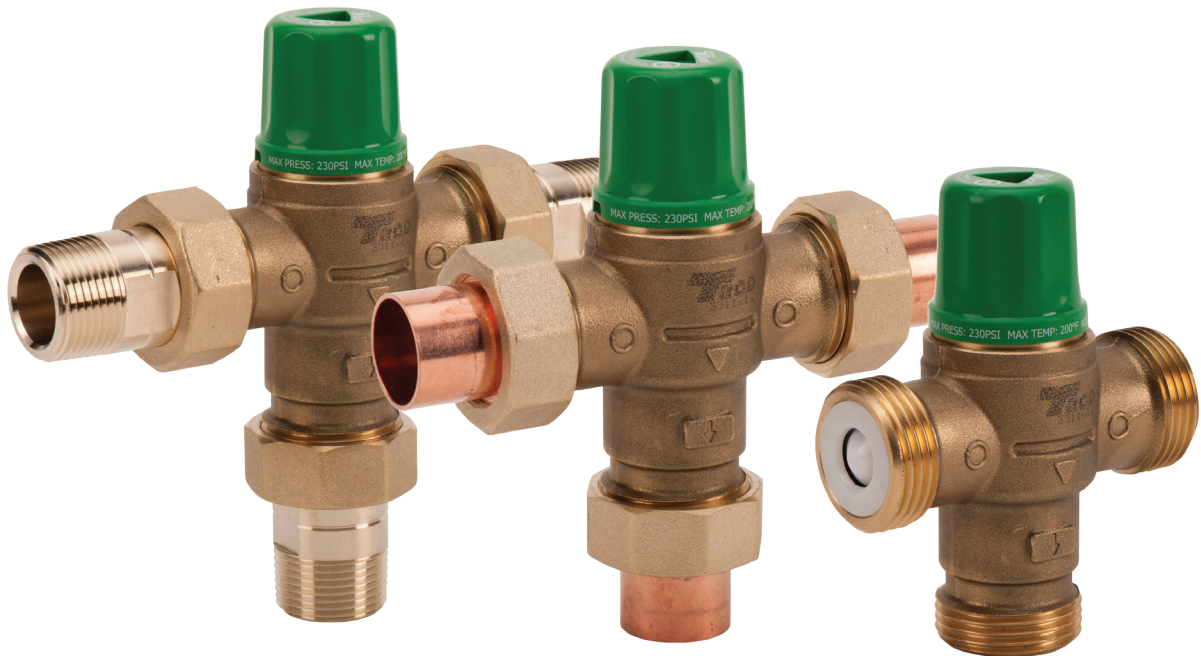


5000 Series Heating Only Mixing Valve

The heating only version of mixing valves provides the high performance temperature stability required for today's radiant heating systems. With an enhanced temperature range and multiple connection styles to choose from, it's the ideal choice for building a radiant heating system.



All union models are available with a stainless steel temperature gauge.



Submittal Data Information 5000 Series Heating Only Mixing Valve

Submittal Data # 101-164
Supersedes: 12/03/15

Effective: 03/17/21

Features

- Delivers Stable Mixed Water Temperature
- Extended Mix Temperature Range of 85-176°F (29-80°C)
- Tamper-Resistance Cap
- Sweat, NPT, Pex, CPVC Union Connections
- Check Valves Included
- Low Headloss
- Outlet Temperature Strip
- Optional Dial Gauge and Adaptor

Performance

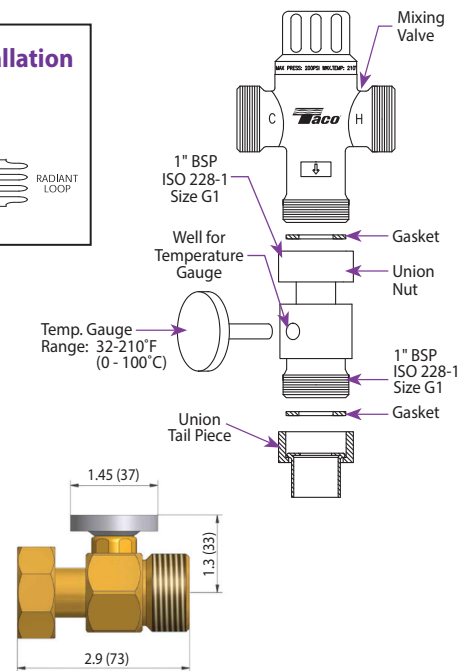
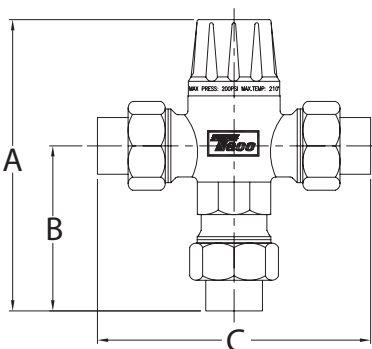
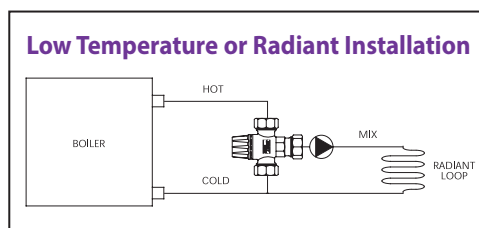
- CV: 2.3
- Max. Flow: 20 gpm (76 L/Min)
- NOTE: Flow should never exceed standards for pipe size.
- Min. Flow: 1 gpm (3.8 L/Min)
- Hot Supply Temperature: 120-180°F (49-82°C)
- Cold Supply Temperature: 39-80°F (5-27°C)
- Max. Inlet Pressure: 230 psi (15.85 Bar)
- Max. Variation in Supply Pressure: 20%
- Min. Temperature Differential Between Hot Supply and Mixed: 27°F (15°C)
- Outlet Temperature Range: 85-175 F (29-80°C)
- Factory set to: 115-120°F (41-45°C)
- Accuracy of Outlet Temperature: $\pm 3^{\circ}\text{F}$

Materials

- Body: Forged Brass
- Internal Components:
 - Brass
 - Noryl GFN2
- Seals: Viton
- Spring: Stainless Steel
- Piston: Polysulfone
- Fittings: Varies (Brass, CPVC, Copper)
- Gaskets: EPDM
- Temperature Gauge: Stainless Steel
- Gauge Fitting: Brass

Application

Taco's 5000 Series Heating Only version of mixing valves provides the high performance temperature stability required for today's radiant heating systems. It makes this mixing valve is an ideal choice for a radiant heating system whether in slab, over pours or in joist bay heating installations. Add to that multiple connection types such as straight NPT, union (sweat, threaded, CPVC or Pex) and you have a series of mixing valve that will fit most of your installation needs.



5000 Series Heating Only Mixing Valve Dimensions *Dimensions for reference only*

Taco Model	Description	A Height		B Lower Height		C Width	
		In.	mm	In.	mm	In.	mm
5002-HX-B3	1/2" UNION CPVC	5.8	147.3	3.7	94	7.1	180.3
5002-HX-C3	1/2" UNION SWEAT	4.8	121.9	2.7	68.6	4.8	121.9
5002-HX-P3	1/2" UNION PEX	5.06	128.5	2.9	73.7	5.4	137.2
5002-HX-T3	1/2" UNION NPT	5.3	134.6	3.2	81.3	5.8	147.3
5003-HX-B3	3/4" UNION CPVC	5.8	147.3	3.7	94	7.1	180.3
5003-HX-C3	3/4" UNION SWEAT	5	127	2.9	73.7	5.4	137.2
5003-HX-P3	3/4" UNION PEX	5.1	129.5	2.9	73.7	5.4	137.2
5003-HX-T3	3/4" UNION NPT	5.5	139.7	3.4	86.4	6.3	160.02
5004-HX-C3	1" UNION SWEAT	6.1	154.9	4	101.6	5.4	137.2
5004-HX-P3	1" UNION PEX	5.2	132.1	3.1	78.7	5.8	147.3

For models with a gauge add -G to the end of the model number. This will change the total valve height.



Taco Inc., 1160 Cranston Street, Cranston, RI 02920 / (401) 942-8000 / Fax (401) 942-2360
Taco (Canada) Ltd., 8450 Lawson Road, Unit #3, Milton, Ontario L9T 0J8 / (905) 564-9422 / Fax (905) 564-9436