

## Zone Valve Control

Simplify the wiring nightmare! Taco Zone Valve Controls easy-to-follow PC board layout eliminates the problems caused by incorrect wiring, while the external indicator lights provide instant diagnostic feedback. Combined with Taco Zone Valves and Thermostats, the system's performance and dependability is maximized.



# Submittal Data Information Zone Valve Control

Submittal Data # 101-051  
Supersedes: 02/12/16

Effective: 12/08/20

## Features

- Front Diagnostic Lights
- Switchable Priority
- Built-in Priority Protection
- Simplified Wiring
- Works with 2, 3, or 4-Wire Zone Valves
- Compact Design
- Fuse Protected
- 100% Factory Tested
- Two Pump End Switches can control up to 3 pumps; System, Secondary and DHW
- Contractor Friendly PC Board Layout
- Universal Thermostat Compatibility
- 24 Volt Power Output for hard wired thermostats
- Field Replaceable Transformer
- UL Approved
- Extended 3 Year Warranty

## Additional -EXP Features

- Add-on Power Control Plug
- Built-in; Post Purge and Pump Exercise Functions
- Two boiler contacts, utilizes full functionality of Mod-Con boilers
- Expandable to 20 Zoning Panels (120 zones if all are 6 zone panels)
- Interface with -EXP Switching Relays

## The Taco Connection

Combine the reliability of the Taco Zone Valves, Priority Zoning Circulators, Thermostats, and the 00° family of circulators with the advanced features of the Taco Zone Controls to achieve total system integration. No matter the application, Taco now provides the products to maximize system performance while simplifying both installation and service.

## External Diagnostics

It's no longer necessary to remove the box cover to troubleshoot the system. External visible indicator lights show full functionality of all products wired to the zone valve controls. When the thermostat calls for heat, both the appropriate zone valve and yellow indicator lights are energized. When the zone valve is fully opened, the end switch relay and red indicator light is then energized.

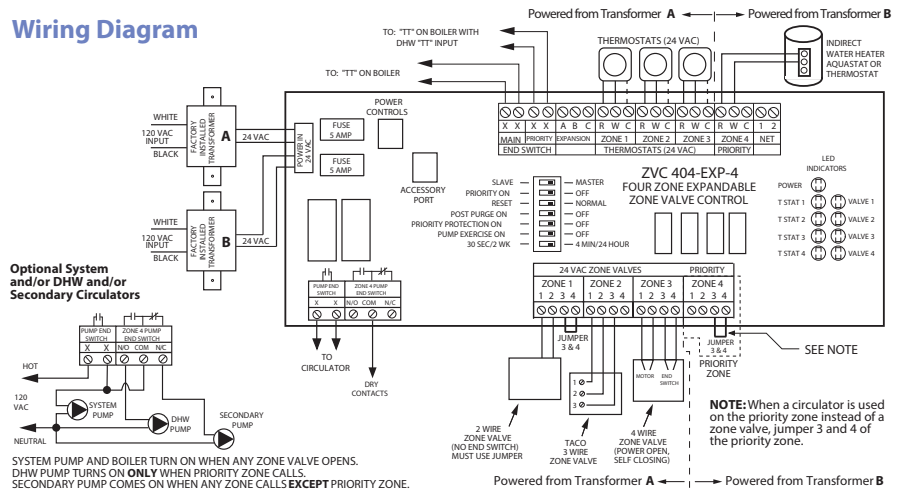
## Zone Valve Controls

Taco Zone Valve Controls work with two-, three-, or four-wire zone valves. Fully fuse protected, they also include two isolated end switches and built-in priority protection. The contractor friendly PC board layout eliminates the problems caused by incorrect wiring and the "unfinished" look of conventional zone valve installations. The sturdy screw connections add additional reliability, while the external indicator lights provide instant diagnostic feedback, reducing installation time. All Taco Zone Valve Controls are UL listed and carry an extended 3 year warranty.

## Taco Expandable Zone Valve Controls

Whether you want to expand up to 120 zones or utilize the advanced features of the Add-on Power Controls, Taco -EXP controls allow for simple integration of advanced features. Built-in Post Purge and Pump Exercise functions can optimize the operation of any system.

## Wiring Diagram



## Zone Valve Controls

Product Number	Number of Zones	Transformer Rating	Transformer Voltage	Dimensions of Enclosure
				Width Height Depth
ZVC403	3 Zone with Priority	40 VA	120 VAC Input	10-1/4" 7" 2-3/4"
ZVC404	4 Zone with Priority	40 VA	120 VAC Input	10-1/4" 7" 2-3/4"
ZVC405	5 Zone with Priority	80 VA	120 VAC Input	12-1/4" 8" 3"
ZVC406	6 Zone with Priority	80 VA	120 VAC Input	12-1/4" 8" 3"

## Expandable Zone Valve Controls

Product Number	Number of Zones	Transformer Rating	Transformer Voltage	Dimensions of Enclosure
				Width Height Depth
ZVC404-EXP	4 Zone with Priority	80 VA	120 VAC Input	12-1/4" 8" 3"
ZVC406-EXP	6 Zone with Priority	80 VA	120 VAC Input	12-1/4" 8" 3"

The pump end switches are rated 1/6 hp, 5 amps at 120 VAC. The main and priority end switch connections are rated 24 VAC, 1 amp. All thermostat and zone valve connections supply a 24 VAC class 2 output.

## Add-On Power Controls\*

PC700	Boiler Reset Control
PC702	2-Stage Boiler Reset Control
PC705	Variable Speed Pump Injection Mixing Control

\* For use with -EXP controls



Taco Inc., 1160 Cranston Street, Cranston, RI 02920 / (401) 942-8000 / Fax (401) 942-2360  
Taco (Canada) Ltd., 8450 Lawson Road, Unit #3, Milton, Ontario L9T 0J8 / (905) 564-9422 / Fax (905) 564-9436