



Submittal Data Information

Near Boiler Trim Kits

101-206

Effective: April 1, 2019

Supersedes: December 21, 2018

Job: _____ Engineer: _____ Contractor: _____ Rep: _____

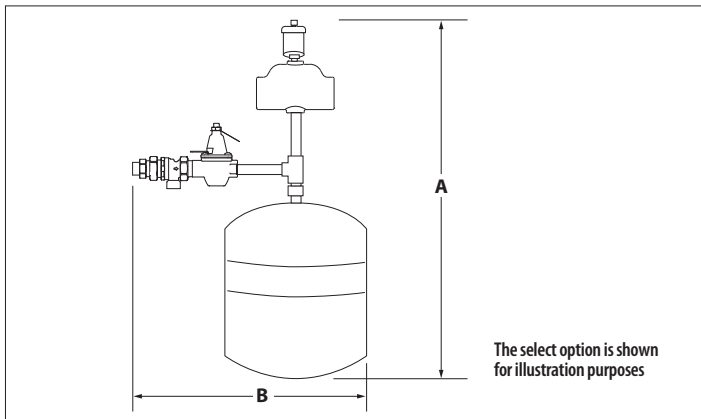
ITEM NO.	MODEL NO.	

Features & Benefits

Select kit combinations to suit all preferences	Suitable for use in closed loop systems with water or up to 50% water/ glycol solution.
All fittings & connections included	
Designed for easy installation	Warranty protection
1" & 1 1/4" sizes available	Expansion tank 5 year
4 1/2 gallon expansion tank included	All other pieces..... 1 year

Application

The Taco® Near Boiler Trim Kit offers a complete, one-box solution for any boiler installation. The Premium Kit offers superior micro-bubble air elimination, easily adjustable pressure setting and system isolation with tank draining capability. The dependable Advanced Kit offers the same superior air elimination and is ideal for your everyday home boiler system. The Select Trim Kit is an easy option that features the same Taco trusted quality & reliability.



Model Name	Size	Model Number	Height A (Inches)	Width B (Inches)	Shipping Wt. (Lbs.)
Premium	1"	TTK-100C-PRM	25.50	19.00	17.51
	1-1/4"	TTK-125C-PRM	25.75	19.00	18.49
Advanced	1"	TTK-100T-ADV	25.50	17.50	18.40
	1-1/4"	TTK-125T-ADV	26.60	17.50	18.84
Select	1"	TTK-100T-SEL	25.25	17.50	18.70
	1-1/4"	TTK-125T-SEL	25.50	17.50	18.35

Dimensions for reference purposes only.

Configurations & Materials of Construction

Premium • ASSE 1081-2014
4900 Series™ Air Separator (1" or 1 1/4" SWT)
 Housing Brass
 PALL Rings Stainless Steel
 Venting unit components Stainless Steel, EPDM, Viton, Brass & Engineered Plastics

3450 Combi Valve (1/2" SWT)
 Body Forged Brass
 Cartridge Components Brass, EPDM, Hi-Temp Engineered Plastics & Stainless Steel

Gaskets EPDM

Dual Shut-off Isolation Valve (1/2" NPT) Forged Brass

Expansion Tank (1/2" NPT) Cold Rolled Steel, Butyl, Welded Steel, Brass

Fittings & Connections Brass
 - 1 x 4" 1/2" x 1/2" NPT Nipple
 - 1 x 9" 1/2" x 1/2" NPT Nipple
 - 1 x 1/2" x 1/2" FNPT Coupling

Advanced • ASSE 2012-2009, CSA BC4.3-11
4900 Series™ Air Separator (1" or 1 1/4" NPT)
 Housing Brass
 PALL Rings Stainless Steel
 Venting unit components Stainless Steel, EPDM, Viton, Brass & Engineered Plastics

3490 Boiler Feed Valve/Backflow Preventer (1/2" SWT)
 Body Brass
 Internal Components Brass, EPDM,

Expansion Tank (1/2" NPT) Cold Rolled Steel, Butyl, Welded Steel, Brass

Fittings & Connections Brass
 - 2 x 4" 1/2" x 1/2" NPT Nipple
 - 1 x 1/2" Tee
 - 1 x 1/2" NPT Service Check Valve

Select • ASSE 2012-2009, CSA BC4.3-11
Air Scoop® (1" or 1 1/4" NPT) Cast Iron

400 Hy-Vent®
 Body Nickel Plated Brass
 Internal Components Stainless Steel, BUNA N, Polypropylene, Noril, Acetal

3490 Boiler Feed Valve/ Backflow Preventer (1/2" SWT)
 Body Brass
 Internal Components Brass, EPDM,

Expansion Tank (1/2" NPT) Cold Rolled Steel, Butyl, Welded Steel, Brass

Fittings & Connections Brass
 - 2x 4" 1/2" x 1/2" NPT Nipple
 - 1x 1/2" Tee
 - 1 x 1/2" NPT Service Check Valve



Taco, Inc., 1160 Cranston Street, Cranston, RI 02920 | Tel: (401) 942-8000 | FAX: (401) 942-2360
Taco (Canada), Ltd., 8450 Lawson Road, Suite #3, Milton, Ontario L9T 0J8 | Tel: (905) 564-9422 | FAX: (905) 564-9436
 Visit our web site: www.TacoComfort.com | ©2019 Taco, Inc.

