

Near Boiler Trim Kits

Save time purchasing the parts & pieces for your next boiler job. With a Taco® Near Boiler Trim Kit, everything you need is included in one easy-to-carry box. All three configurations, Premium, Advanced & Select are available in 1" or 1¼" connection sizes. Each comes with an air separator, combination boiler feed valve & backflow preventer, 4½ gallon expansion tank, and the brass nipples and connections needed for assembly. All items share the same industry leading quality & reliability that Taco is known for.



Premium

Advanced

Select



Submittal Data Information Near Boiler Trim Kits

Submittal Data # 101-206
Supersedes: 12/21/18

Effective: 04/01/19

Features & Benefits

Select kit combinations suit all preferences
All fittings & connections included
Designed for easy installation
1" & 1¼" sizes available
4½ gallon expansion tank included
Suitable for use in closed loop systems with water or up to 50% water/ glycol solution.
Warranty protection
Expansion tank 5 year
All other pieces 1 year

Configurations & Materials of Construction

Premium • ASSE 1081-2014
4900 Series™ Air Separator (1" or 1¼" SWT)
Housing Brass
PALL Rings Stainless Steel
Venting unit components Stainless Steel, EPDM, Viton, Brass & Engineered Plastics

3450 Combi Valve (1/2" SWT)
Body Forged Brass
Cartridge Components Brass, EPDM, Hi-Temp Engineered Plastics & Stainless Steel

Gaskets EPDM

Dual Shut-off Isolation Valve (1/2" NPT) Forged Brass

Expansion Tank (1/2" NPT) Cold Rolled Steel, Butyl, Welded Steel, Brass

Fittings & Connections Brass
- 1 x 4" ½" x ½" NPT Nipple
- 1 x 9" ½" x ½" NPT Nipple
- 1 x ½" x ½" FNPT Coupling

Advanced • ASSE 2012-2009, CSA BC4.3-11
4900 Series™ Air Separator (1" or 1¼" NPT)
Housing Brass
PALL Rings Stainless Steel
Venting unit components Stainless Steel, EPDM, Viton, Brass & Engineered Plastics

3490 Boiler Feed Valve/Backflow Preventer (1/2" SWT)
Body Brass
Internal Components Brass, EPDM,

Expansion Tank (1/2" NPT) Cold Rolled Steel, Butyl, Welded Steel, Brass

Fittings & Connections Brass
- 2 x 4" ½" x ½" NPT Nipple
- 1 x ½" Tee
- 1 x ½" NPT Service Check Valve

Select • ASSE 2012-2009, CSA BC4.3-11
Air Scoop® (1" or 1¼" NPT) Cast Iron
400 Hy-Vent®
Body Nickel Plated Brass
Internal Components Stainless Steel, BUNA N, Polypropylene, Noril, Acetal

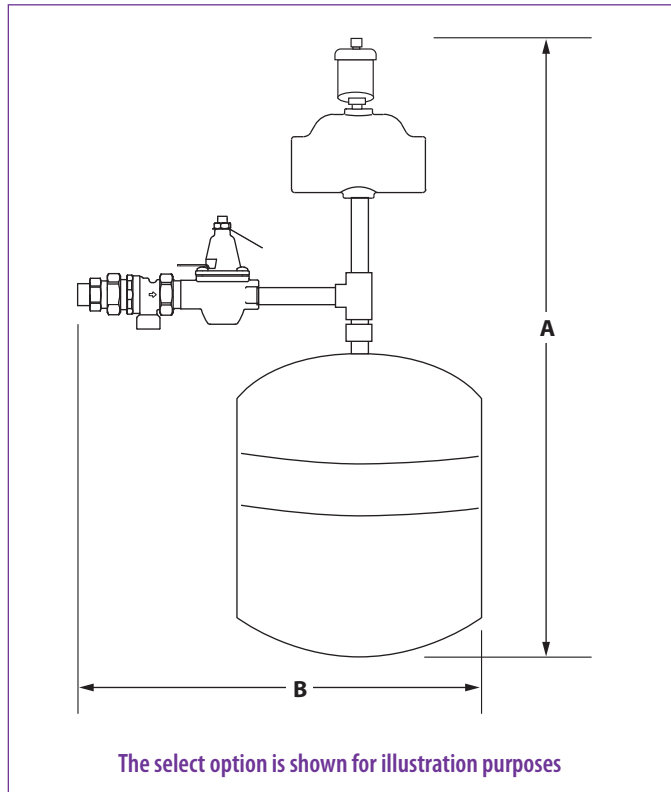
3490 Boiler Feed Valve/ Backflow Preventer (1/2" SWT)
Body Brass
Internal Components Brass, EPDM,

Expansion Tank (1/2" NPT) Cold Rolled Steel, Butyl, Welded Steel, Brass

Fittings & Connections Brass
- 2x 4" ½" x ½" NPT Nipple
- 1x ½" Tee
- 1 x ½" NPT Service Check Valve

Application

The Taco® Near Boiler Trim Kit offers a complete, one-box solution for any boiler installation. The Premium Kit offers superior micro-bubble air elimination, easily adjustable pressure setting and system isolation with tank draining capability. The dependable Advanced Kit offers the same superior air elimination and is ideal for your everyday home boiler system. The Select Trim Kit is an easy option that features the same Taco trusted quality & reliability.



Model Name	Size	Model Number	Height A (Inches)	Width B (Inches)	Shipping Wt. (Lbs.)
Premium	1"	TTK-100C-PRM	25.50	19.00	17.51
	1-1/4"	TTK-125C-PRM	25.75	19.00	18.49
Advanced	1"	TTK-100T-ADV	25.50	17.50	18.40
	1-1/4"	TTK-125T-ADV	26.60	17.50	18.84
Select	1"	TTK-100T-SEL	25.25	17.50	18.70
	1-1/4"	TTK-125T-SEL	25.50	17.50	18.35

Dimensions for reference purposes only.



Taco Inc., 1160 Cranston Street, Cranston, RI 02920 / (401) 942-8000 / Fax (401) 942-2360
Taco (Canada) Ltd., 8450 Lawson Road, Unit #3, Milton, Ontario L9T 0J8 / (905) 564-9422 / Fax (905) 564-9436