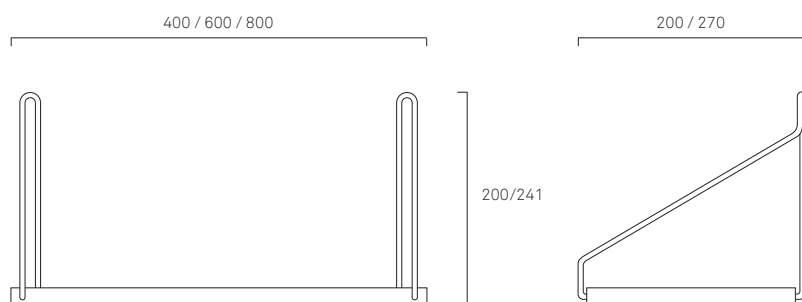


SHELF



Design	Frama
Year	2011
Typology	Shelf
Collection	Permanent Accessories
Origin	Denmark /Sweden
Material Brackets	Black steel, brass, stainless steel
Material Shelf	Solid natural oak - natural oiled
Assembly	Shelf and brackets packed separately (sold together)

Product	Item No.	EAN code
Shelf D200 W400	7000	5712828007004
Shelf D200 W600	7010	5712828007011
Shelf D200 W800	7020	5712828007028
Shelf D270 W400	7031	5712828017034
Shelf D270 W600	7035	5712828027033
Shelf D270 W800	7040	5712828037049
Brackets Brass D200	7050	5712828007059
Brackets Black D200	7055	5712828017058
Brackets Stainless Steel D200	7065	5712828070657
Brackets Brass D270	7150	5712828037155
Brackets Black D270	7155	5712828017058
Brackets Stainless Steel D270	7165	5712828071654

SHELF ASSEMBLY

Shelf is a reinterpretation of the recognized Scandinavian shelf design from the 1950's. With the advantage of the simplicity and strength in the design. All collection pieces are for indoor use.

CONTENTS:

In this box you will find:

- 1 Oak shelf natural oiled
- 2 Brackets (left bracket and right bracket)

ASSEMBLY:

Start by locating the front of the shelf, in which the small holes are located closest to the edge of the wood. The back of the shelf is stamped with a Frama logo. Separate the left and right brackets by placing the diagonal part of either bracket closest to the edge of the shelf. Beginning with the front side, insert the metal bracket inside the front hole close to the edge. Repeat on the back end of the bracket.

NOTE:

To preserve oiled appearance of wood shelf over time, oil the oak using a natural wood oil. Plated copper and brass brackets will develop patina over time. Spot clean both shelf & brackets with a dry cloth.

Once assembled, please note the shelf can hold up to 15 kg (depending on wall and mounting) Size of screw should be Ø 6-8 mm for holding heavier objects.

CLEANING & MAINTENANCE OF OILED WOOD FURNITURE

Regular maintenance of oiled wooden furniture is both easy and efficient for long term use. To achieve an optimal result we recommend oiling your product twice a year. We recommend a natural wood oil. All collection pieces are for indoor use.

CLEANING:

Daily cleaning is done with a soft cloth wrung out in clean water. Avoid using cleaners containing any type of chemicals on the furniture.

OILING TREATMENT:

1. Clean the furniture using a clean cloth dampened with warm water.
2. Once the furniture is dry, apply oil to a clean soft cloth or sponge - do not pour the oil directly on the wood
3. Rub the oil into the wood in the direction of the grain, treating the entire surface of the furniture piece.
4. Let the oil soak for about two hours, then remove any excess oil with a soft clean dry cloth.
5. Rub the surface with a clean soft cloth until a uniform surface is obtained, then let dry.

NOTE:

End grain (edges), should be treated extra frequently to avoid dryness and cracking in the dry season (winter). Irregular distribution of moisture in the wood can cause unnecessary cracks and gap. To avoid this we recommend oiling both the top and underside of the furniture. Be aware that oily rags can ignite spontaneously. Rags and papers used in the oiling process will be flammable. Air dry after use.

MAINTENANCE OF METALS

Some of the metals in the Frama collection are left untreated to allow for a natural patina to develop over time. See below to keep these beautiful signs of aging, or polish them away. All collection pieces are for indoor use.

CLEANING & POLISHING BRASS & COPPER:

Brass: Wash the brass with soapy water. To get rid of dirt or oil, mix a mild detergent with warm water. Dip a soft cloth into the soapy water, and wipe the piece down with the cloth. To polish brass, apply brass polish to a cloth, and rub it into the brass. Then use a clean, dry cloth while rubbing the brass to create shine.

Copper: Squeeze a lemon and sprinkle salt over the copper, and rub to remove any tarnishing. Rinse the copper, and dry with a soft, dry cloth.

WAXING UNTREATED STEEL:

Since wax is only a coating and doesn't actually bind with steel, it must be periodically reapplied. As long as the piece is indoors, the wax will typically last at least a few years.

1. Use mineral spirits to clean the steel before application.
2. Using warm, clear wax, rub a thin layer over the steel with a soft cloth.
3. Using a clean cloth, buff out all of this dull wax with circular motions.
4. When the wax has been sufficiently buffed, the dullness will be gone, replaced with a slight shine. The finished wax should feel smooth and slippery to the touch.

CLEANING POWDER COATED STEEL/ALUMINUM:

To clean powder coated furniture, carefully remove any loose deposits with a wet sponge. Use a soft brush (non abrasive) or cloth, and a mild household detergent solution to remove dust, salt and other deposits. Rinse off with clean fresh water. Then use a clean, soft cloth to dry the piece.

FRAMA

Org. St. Pauls Apotek - Fredericiagade 57 - Copenhagen - Denmark