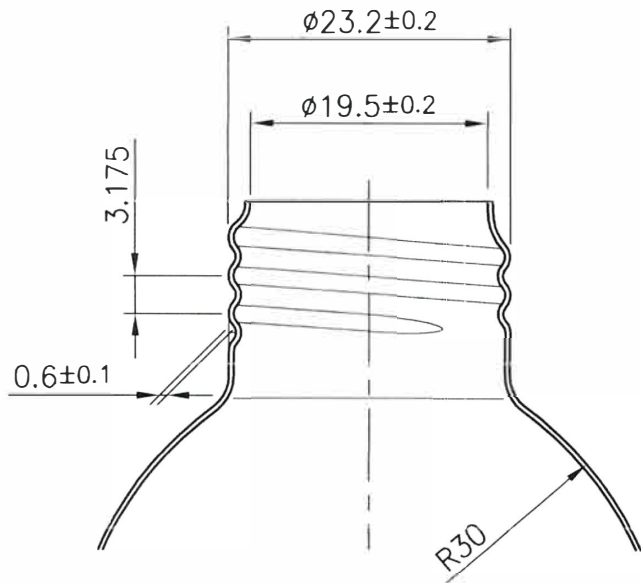
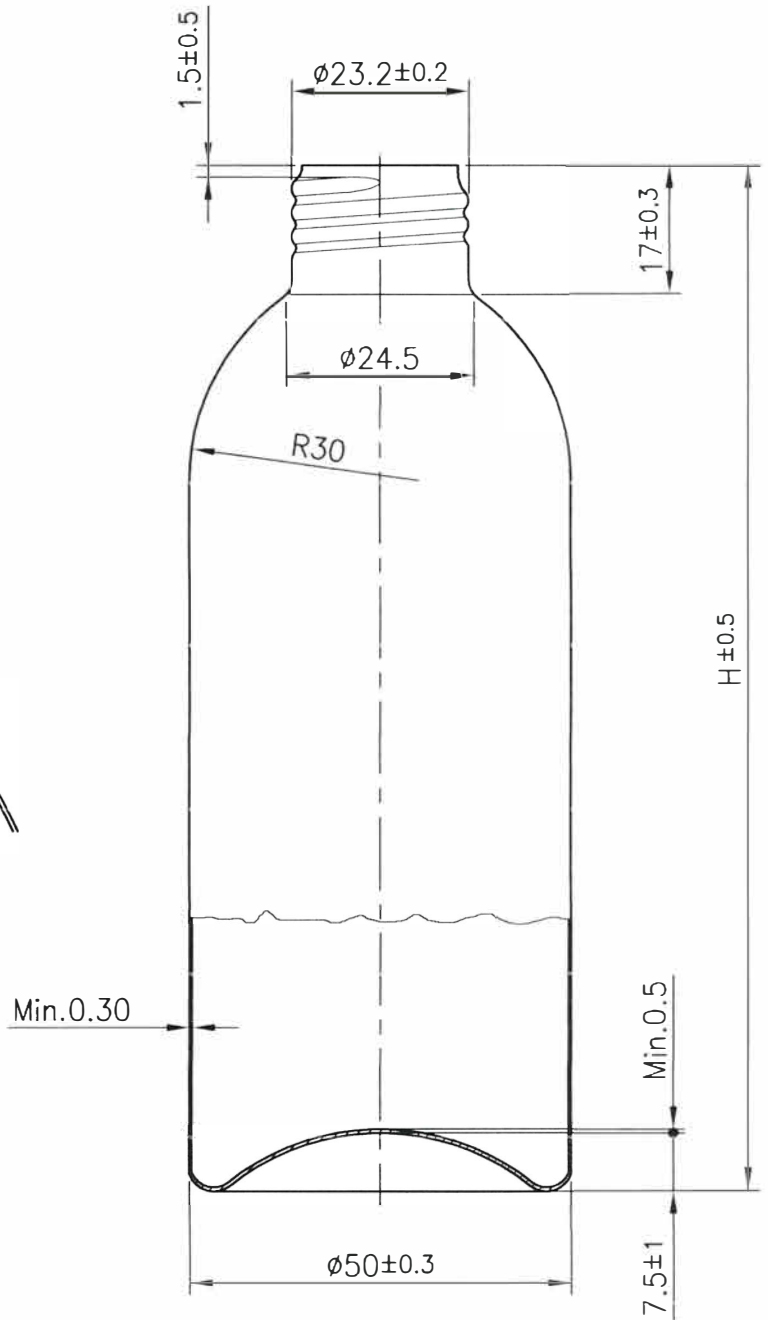


THREAD – RIGHT HAND
 2 1/4 COMPLETE TURNS,
 TO FIT CUSTOMER CAP



SCALE 1.6:1



—	FIRST ISSUE	21-008	—	—
ITEM	REVISION	DRCN. No.	CHK.	APP.

TITLE						Ø50 ALUMINIUM SCREW NECK BOTTLE (MALE THREAD, CONCAVE BOTTOM) (ALUMINIUM ALLOY)			
MATERIAL	AIMn	DWN.	DATE	NAME	SCALE	DRAWING No.	Sht.No.	1 of 1	
			9/6/21	Swal					
MB2127-MD	CHK.	9/6/21	<i>[Signature]</i>						
	APP.	9/6/21	<i>[Signature]</i>						