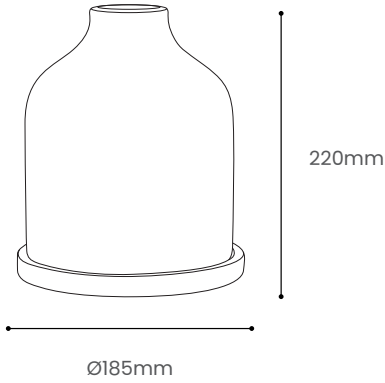


KYRU VASE

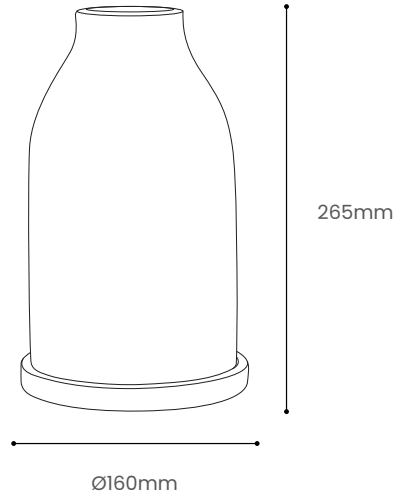
Product Specification

Tom Raffield

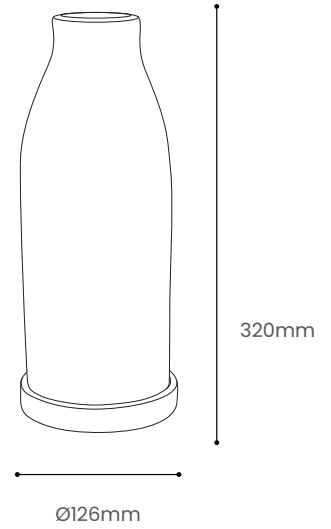
Kyru Vase Short



Kyru Vase Medium



Kyru Vase Tall



Summon nature inside, transform your space. Where traditional craftsmanship and innovative design fuse, The Green Range breathes new life. Showcasing sleek simplicity whilst admiring nature, our Japandi inspired vase collection has the perfect vessel for your hand-picked stems.

Minimalism thrives through the Kyru Vases. This tactile, hand-glazed earthenware vase, which is swathed in our signature matte outer glaze, nestles effortlessly into a bespoke, sustainably sourced, ash wood base. Brightening up any interior, the contemporary, curving form plays perfect host to fresh blooms or dried flowers. Sitting proudly upon mantelpieces, tabletops, or shelves the Kyru Vases are a striking centrepiece that suit a multitude of spaces.

The Kyru Vase is available in three sizes and a trio set.

Product Type : Accessories	SKU	Wood types	Dimensions L x W x H (mm)		Weight (kg)	
			Unboxed	Boxed	Unboxed	Boxed
Kyru Vase Short	TR-GR-KYRU-VS-SHORT	Ash	Ø185 x 220	260 x 260 x 260	1.2	2.3
Kyru Vase Medium	TR-GR-KYRU-VS-MED	Ash	Ø160 x 265	220 x 530 x 220	1.3	2.8
Kyru Vase Tall	TR-GR-KYRU-VS-TALL	Ash	Ø126 x 320	220 x 530 x 220	1.05	2.65
Materials	Ash	Earthenware				
Finish	Finished with a blend of natural wax oils to give a protective, hardwearing and beautiful finish.					
Care information	<ul style="list-style-type: none"> Finish: The blend of natural oils can take up to four weeks to harden fully. Because of this, particular care should be taken in the first few weeks after delivery before cleaning, see below. Care: Solid wood may expand and shrink with differences in temperature and humidity so take care not to place your furniture directly next to anywhere with excessive changes in temperature such as radiators and windows. Cleaning: To clean on a regular basis wipe the surface with a damp cloth before removing any moisture with a dry cloth. Wipe off anything that will stain straight away, eg red wine, balsamic vinegar, oil, tea, coffee, alcohol, etc. In the event of severe spillages and stains the surface can be lightly re-sanded and re-oiled - please talk to us or a professional furniture restorer before doing so. 					
Additional information	<ul style="list-style-type: none"> Product care instructions included. 					

Tom Raffield Ltd, F3 Church View Business Park, Bickland Water Rd, Falmouth TR11 4FZ, UK

tomraffield.com contact@tomraffield.com +44 (0) 1326 722725 #tomraffield @tomraffield

Due to the character of handcrafted natural products, all dimensions are approximate. Wood colour may slightly vary.

All products, prices and leadtimes are correct at time of print and are subject to change without notice.