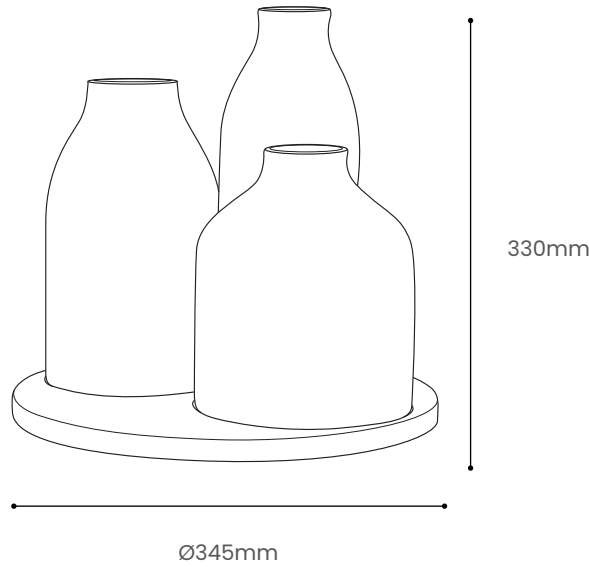


KYRU TRIO VASE SET

Product Specification

Tom Raffield



Summon nature inside, transform your space. Where traditional craftsmanship and innovative design fuse, The Green Range breathes new life. Showcasing sleek simplicity whilst admiring nature, our Japandi inspired ceramic vase collection has the perfect vessel for your handpicked stems.

A harmonious trio of handcrafted vases, the Kyru Trio Vase Set features three different sized designs perfectly proportioned for your curated display. Each tactile, earthenware vase, is hand-glazed with our signature matte outer glaze and effortlessly nestles into a bespoke, sustainably sourced ash, wood base. Brightening up any interior, the contemporary, curving form of each slip cast pot plays perfect host to fresh blooms or dried flowers. Sitting proudly within any space, our ceramic vase set showcases understated confidence and organic form.

Inspired by nature, curated by you.

Product Type : Accessories	SKU	Wood types	Dimensions L x W x H (mm)		Weight (kg)	
			Unboxed	Boxed	Unboxed	Boxed
Kyru Trio Vase Set	TR-GR-KYRU-VS-TRIO	Ash	Ø345 x 330	457 X 305 X 457	4.2	7.15
Materials	Ash	Earthenware				
Finish	Finished with a blend of natural wax oils to give a protective, hardwearing and beautiful finish.					
Care information	<ul style="list-style-type: none"> Finish: The blend of natural oils can take up to four weeks to harden fully. Because of this, particular care should be taken in the first few weeks after delivery before cleaning, see below. Care: Solid wood may expand and shrink with differences in temperature and humidity so take care not to place your furniture directly next to anywhere with excessive changes in temperature such as radiators and windows. Cleaning: To clean on a regular basis wipe the surface with a damp cloth before removing any moisture with a dry cloth. Wipe off anything that will stain straight away, eg red wine, balsamic vinegar, oil, tea, coffee, alcohol, etc. In the event of severe spillages and stains the surface can be lightly re-sanded and re-oiled - please talk to us or a professional furniture restorer before doing so. 					
Additional information	<ul style="list-style-type: none"> Product care instructions included. 					