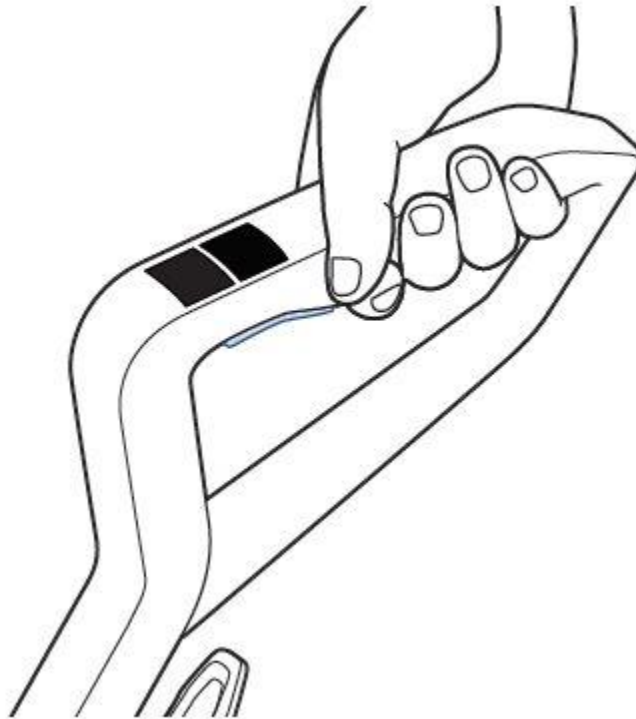


My CrossWave® Cordless Multi-Surface Wet Dry Vac shuts off automatically | Support

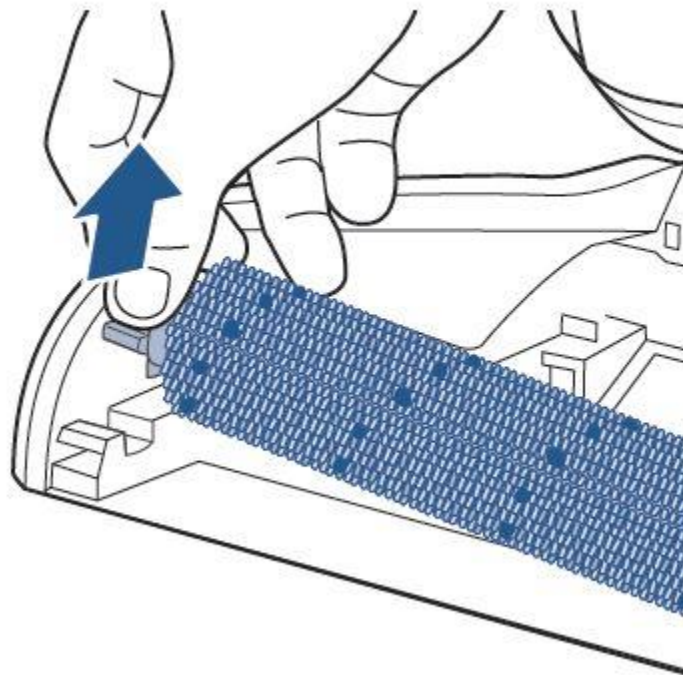
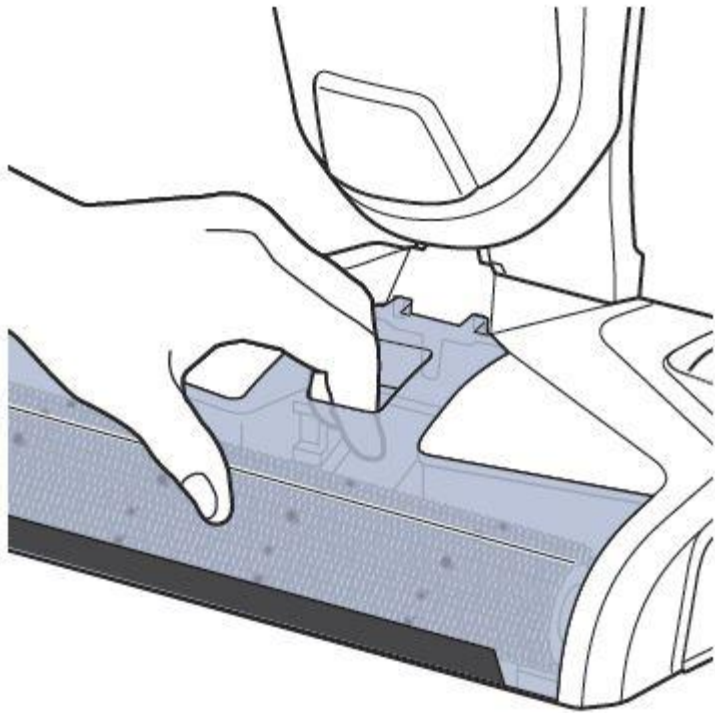
- Turn machine on by select a cleaning mode (Rug or Hard Floor)



- If machine does not turn on, refer to [No power](#) troubleshooting
- Remove the handle by using a screwdriver or other blunt object to press the white tab found behind the clean tank
-
- Pull up on the handle to remove
- Reinsert handle into the machine - you should hear a click when secure

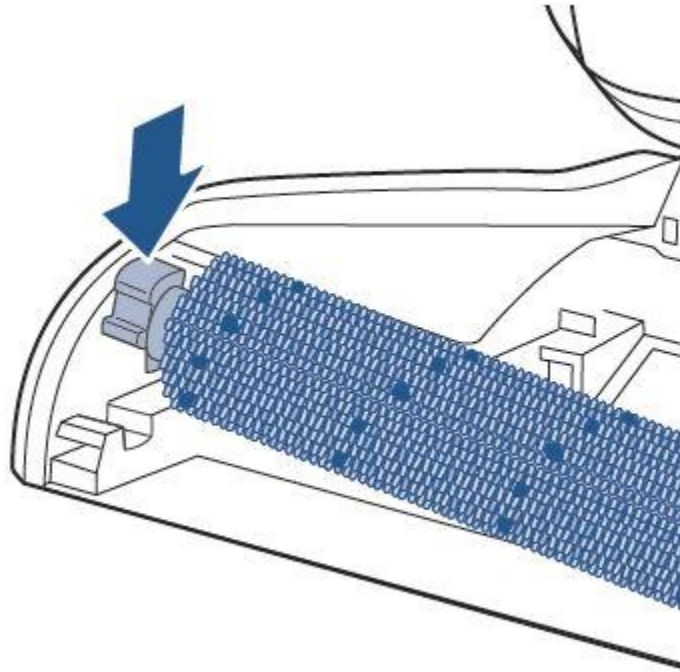


- Recline machine to activate brush roll
- If brush roll does not turn or machine shuts off after a short time turn machine off by pressing the Hard Floor button
- Remove brush roll window by grabbing the pull tab and pulling upward
- Hold brush roll tab and pull upward to remove brush

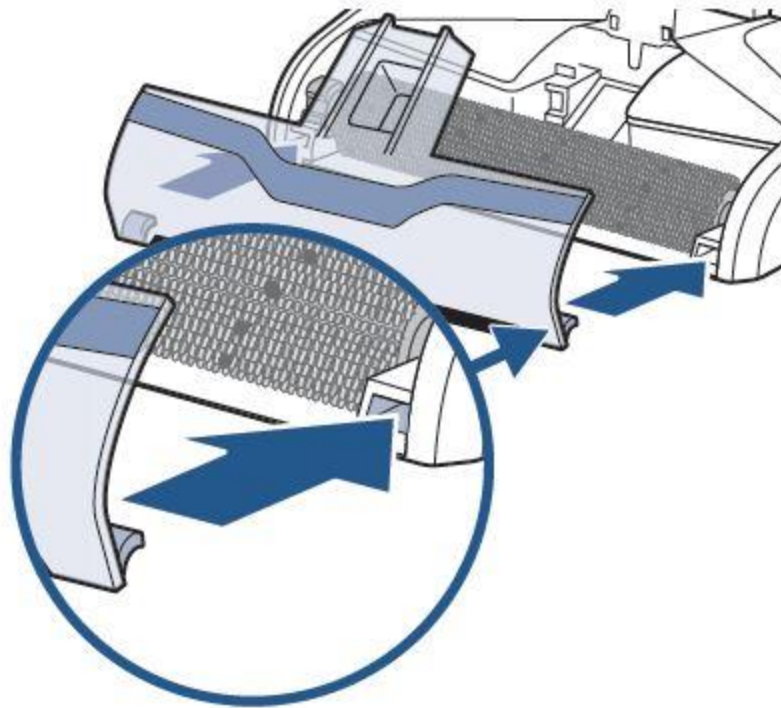


- Check ends of brush roll for wrapped debris or hair
- Hold the colored pull tab on brush roll and spin the other end
- If the brush doesn't spin, a new one needs to be ordered

- Check the plastic gear end on the machine and remove hair or debris wrapped in this area
- Turn gear by hand to test spin
- Reinstall the brush roll by inserting the gray tipped end into the right side of the machine and then pressing down on the colored tab until it clicks into place



- Reattach the brush roll window
- Line up tabs on the front edges of the foot and then push the window into place until it clicks



- Turn machine on, recline, and test to see if **CrossWave** turns on and will run
- If not, please contact us