



Arborescence Smart

installation & maintenance

EN

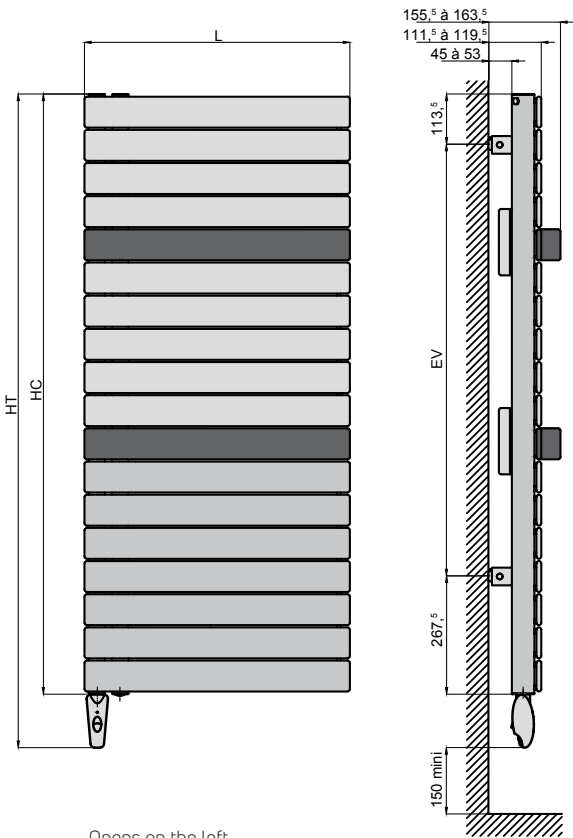
M16MI398_A06_07/21



FINIMETAL

REGULAR VERSION

Opens on the right



Opens on the left

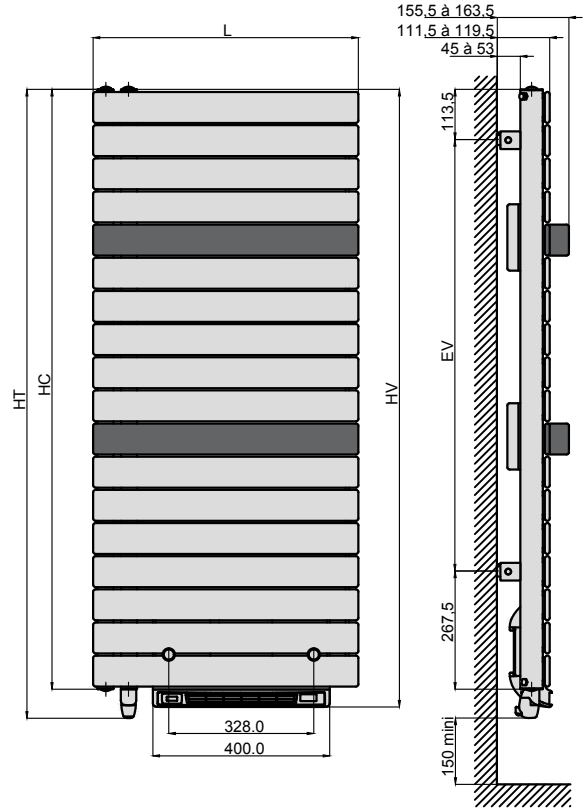


	L	HC	HT	EH	EV	EC
ARS.1660	600	1357	1478	80	975	50
ARS.1960	600	1657	1778	80	1275	50

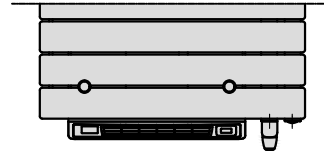
All dimensions are in mm

SPEEDAIR VERSION

Opens on the right

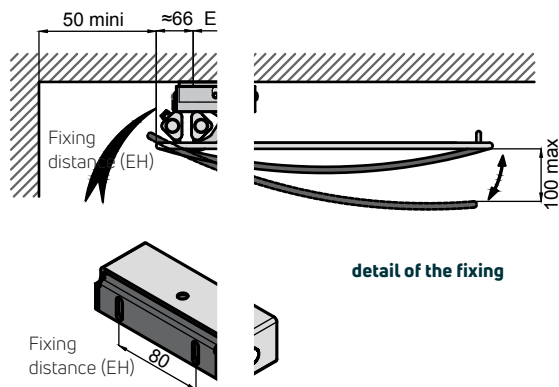


Opens on the left



	L	HC	HV	HT	EH	EV	EC
ARS.1660	600	1357	1397	1422	80	975	50
ARS.1960	600	1657	1697	1722	80	1275	50

All dimensions are in mm



detail of the fixing

WARNING

Attention – Some parts of this product may become very hot and cause burns. Particular attention should be given in presence of children and vulnerable people. It is advisable to keep children of less than 3 years old away from it, unless they are under constant supervision.

Children aged between 3 and 8 years old should only be allowed to switch the appliance on and off if it has been positioned or installed in a normal, expected position and they are properly supervised or have been instructed on safe use of the appliance and the potential risks have been understood.

Children aged between 3 and 8 years old must not plug in, regulate or clean the appliance, nor carry out any user maintenance work. This appliance can be used by children over 8 years old as well as by people with reduced physical, sensory or mental capacities or lacking in experience or knowledge, if they are properly supervised and if they have been given instruction on the safe use of the appliance and if the potential risks have been understood. Children shouldn't approach the appliance nor climb on it.

User cleaning and maintenance must not be done by children without supervision. To avoid any danger for very young children, it is recommended that the appliance is installed so that the lowest heating bar is at least 600 mm above the floor. The appliance is only intended for drying cloth washed in water. If the power cable is damaged, it must be replaced by the manufacturer, their after sales service or people with similar qualifications in order to avoid any danger.

The heating appliance must not be placed just below a power plug; all interventions on the appliance must be done with it switched off and by a qualified professional.

Towel rails radiators are sealed electric radiators designed for fixed wall-mounted installation

In Electric & Mixed version towel rails radiator is supplied complete with connection cable and wall brackets, and have a double insulated electrical part - Class II.

CAUTION: This radiator may be hot to touch. It is the responsibility of the installer to ensure this caution is brought to the attention of all users. If the instructions for fitting and use are not followed, this may lead to overheating and malfunction.

Please read these instructions thoroughly before beginning installation.

STANDARDS - Mixed and electric versions

Classe II - IP44  

(IP24 for models with blower)

Double insulation. They also comply with the European Directive 2004/108/EC (CE marking on all the appliances).



WASTE DISPOSAL ACCORDING TO THE WEEE DIRECTIVE (2002/96/EC)

The symbol on the product label indicates that the product may not be handled as domestic waste, but must be sorted separately.

When it reaches the end of its useful life, it shall be returned to a collection facility for electrical and electronic products.

By returning the product, you will help to prevent possible negative effects on the environment and health to which the product can contribute if it is disposed of as ordinary domestic waste.

For information about recycling and collection facilities, you should contact your local authority/municipality or refuse collection service or the business from which you purchased the product. Applicable to countries where this Directive has been adopted.



2. OPERATING INSTRUCTIONS OF YOUR TOWEL RAILS

To make the most of your towel rail and for greater comfort, we would ask you to take the following recommendations into account:

2.1 Positioning

The diagrams below show the appliance's correct positioning.

figure 1

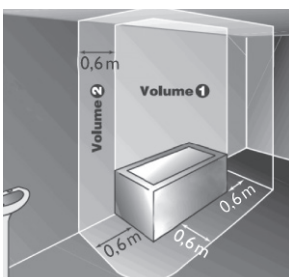
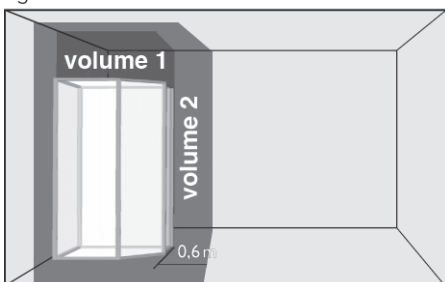


figure 2



The appliance must be installed on a vertical wall and the power cable must be located at the bottom.

- Figures 1 and 2 below show the correct positioning of the radiator,
- The radiator should be mounted on a vertical wall with the connection cord at the bottom of the radiator,
- The lower part of the radiator must be within a minimum distance of 150 mm from the ground,
- The radiator must not be installed within 50 mm of a wall or underneath a power outlet,
- Improper installation of a shelf above the radiator must be carried out over 150 mm of it,
- It is recommended to perform the installation, if possible, close to locations with high heat losses (windows etc) and using screw fasteners appropriate to the nature of the wall,
- Drill and plug the 4 fixing holes in a suitable location,
- Secure the radiator to the wall using the screws supplied,
- Make the electrical connection.

2.2 Brackets

For the correct installation of radiators it is essential that the fixing of the radiator is carried out in such a way that it is suitable for intended use AND predictable misuse.

A number of elements need to be taken into consideration including the fixing method used to secure the radiator to the wall, the type and condition of the wall itself, and any additional potential forces or weights that may happen to be applied to the radiator, prior to finalising installation.

- For correct heater installation, when the appliance is located close to a wall, it is essential to leave a minimum distance of 250 mm to access the installation.
- Use bracket screws suited to your type of wall, secure the heater on the wall using the screws provided with the towel rails.
- The towel rail must be installed on a vertical wall using the wall mounts supplied.
- The towel rails' mounting components are adjustable vertically, horizontally and as regards depth (see exploded diagram in the box), which makes correct installation easier. Positioning can be seen from the figure on the drawing page.

3. CONNECTION

The electrical installation must comply with local or national regulations. This appliance must be installed by a competent electrician.

3.1 Electrical connection

- The technical characteristics of your appliance are shown on the data plate located on the side of the appliance. Please take note of these before any request for after sales service.
- Any interventions on electrical parts must be done by a qualified professional.
- For bathroom installations the appliance must be installed outside zone 1 with the electrical connection outside zone 2 (see diagram at the opposite page), in accordance with the latest electrical safety regulations, and in such a way that the controls cannot be reached by a person using the bath or shower,
- Enclosure class IP44,
- Connect the 3 core cables as follows:
Brown wire = Live • Blue wire = Neutral
Black wire = Control Wire (Pilot Wire)
This wire must never be connected to the earth and must be isolated,
- RCD of 30 mA maximum is compulsory for bathrooms or shower rooms,
- This appliance must be connected to the fixed wiring through a cable outlet (13 A max) and controlled through a double pole switch having a contact separation of at least 3 mm in all poles,
- The radiator is supplied with a 1.5 m cord,
- Supply voltage 230-240 V,
- For installation in a bathroom (to comply with current IEE regulations) the appliance must be wired in the manner prescribed with the double pole switch mounted outside the bathroom. If the supply cord on this product is damaged, it must be replaced by the manufacturer, its service agent, or other qualified person. This radiator is filled with a precise quantity of liquid, any repairs that involve opening the radiator must be carried out by the manufacturer or his service agent. Any leakage must be dealt with by the manufacturer or his representative.
- The factory fitted power cable must be connected to the mains by a junction box which will have to be placed behind the appliance, without putting in a power socket and which will be located at least 250 mm from the floor.
- If the supply cable is damaged, it must be replaced by a specific cable. Replacement of this cable must be done by the manufacturer, their after sales service or people with similar qualifications in order to avoid any danger.
- The heated towel rail is filled with an exact quantity of heat transfer fluid. Repairs requiring opening of the bathroom heater must only be carried out by the manufacturer or their after sales service who must be contacted if there is any leak of heat transfer fluid.

- When the appliance is thrown away, elimination of the heat transfer fluid must only be done by approved subcontractors.

3.2 Central Heating connection - mixed version appliances

- This appliance intended for central heating installation is delivered empty (without any heat transfer fluid).
- Connection to the central heating is done either through 2 tapped holes 1/2" (Ø15/21), or through a 4 way valve with probe. Ensure that the appliance is always in communication with the expansion tank (both summer and winter) and correctly filled with water (by purging the air from the radiator) before turning on the electric part.
- Note the indicated flow direction.

When operated electrically, the radiator's outlet valve must be closed; the return must be in «open» position so that the radiator remains in communication with the installation in order to absorb fluid expansion.

Depending on the central heating, the outlet and return valves must be open and the appliance switched off. Switching on the appliance without it being correctly filled with water renders the guarantee null and void (deterioration of heating element).

4. CONDITIONS OF USE

Refer to the paragraph **WARNINGS** in point
1. GENERAL INFORMATION

- The heater can be used continuously without any risk.
- For operating the electronic regulation refer to the operating instructions.

5. MAINTENANCE TIPS

Maintenance operations must be done with the heater switched off. Therefore take care the appliance is off. In order to ensure your heater lasts, we recommend you use the following few tips:

- Use only mild cleaning agents when cleaning and wiping of the radiator is necessary.
- Use a dry cloth (without solvent) for the control unit.
- Use warm soapy water for cleaning the outside walls of the heater (no abrasive or corrosive product).
- This heating appliance is filled with an exact quantity of heat transfer fluid, or glycoled water depending on appliances. Repairs requiring opening of the reservoir must only be carried out by the manufacturer or their after sales service who must be contacted if there is any leak of glycoled water. This fluid, specially developed for this use does not require any particular maintenance.

**PURMO GROUP FRANCE**

Parc des Expositions
Immeuble RIMBAUD
22, Avenue des Nations
93420 Villepinte
T: 01 45 91 62 00,
F: 01 45 91 62 99
marketing.france@purmogroup.com
www.finimetal.fr

ADRESSE DE CORRESPONDANCE

PURMO Group France SAS
Immeuble RIMBAUD
Parc des Expositions
22, Avenue des Nations
CS 80049
95926 ROISSY CHARLES DE GAULLE CEDEX 2

Arborescence Smart - M16MI398_A06_07/21

Installation et entretien de votre radiateur sèche-serviettes
PURMO Group France - RCS BOBIGNY B 429 772 866
SIRET 429 772 866 00043 - Ce document n'est pas contractuel.
Dans le souci d'améliorer ses produits, FINIMETAL se réserve le droit de modifier
les caractéristiques de ses appareils à tout moment sans préavis.



FINIMETAL