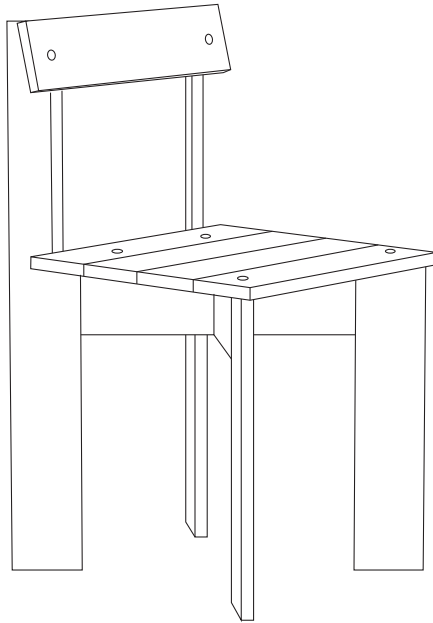
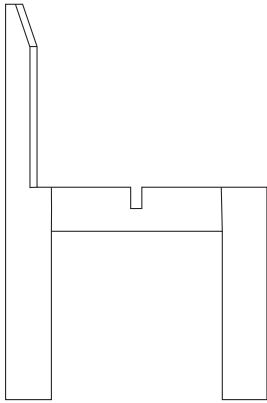


ARK KIDS CHAIR

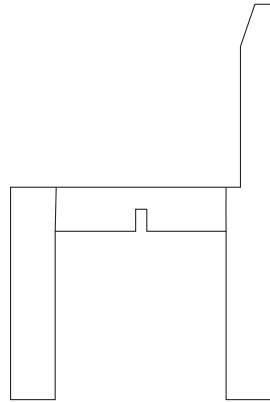
ASSEMBLY MANUAL



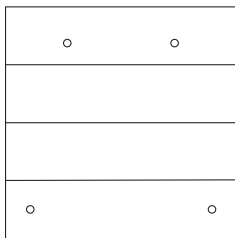
BOX CONTENT



x1
Left base



x1
Right base



x1
Seat



x1
Backrest



x1
Allen Key

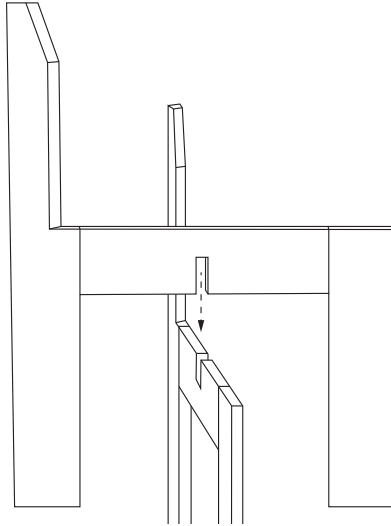


x4
A) Screw



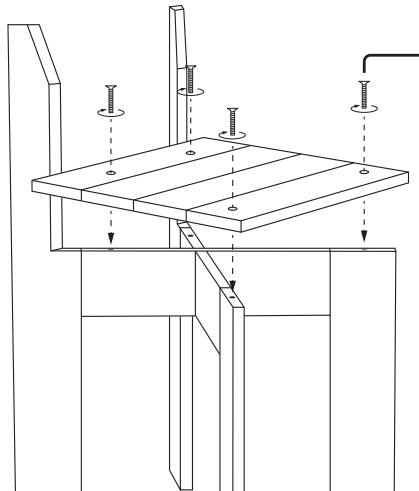
x2
B) Screw

1



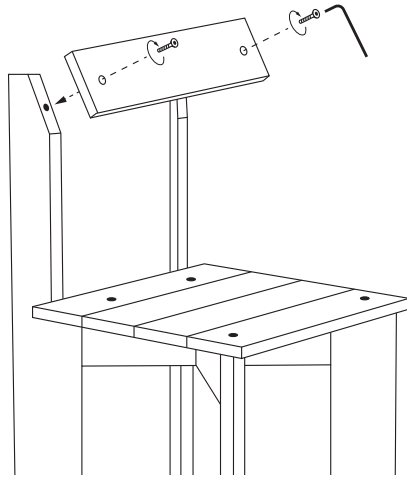
1. Mount the left base on the right base.

2



2. Place the seat on top of the chair base and screw in (A) 4 screws with the allen key.

3



3. Screw the backrest to the chair with (B) 2 screws.
