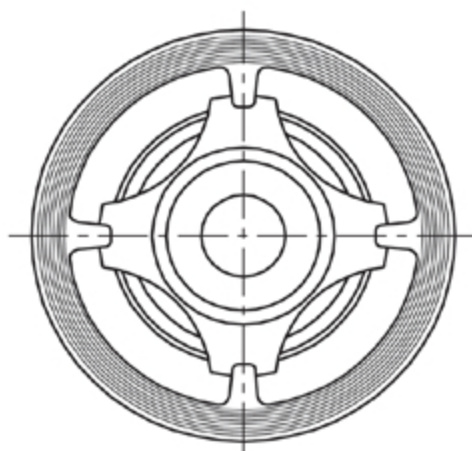
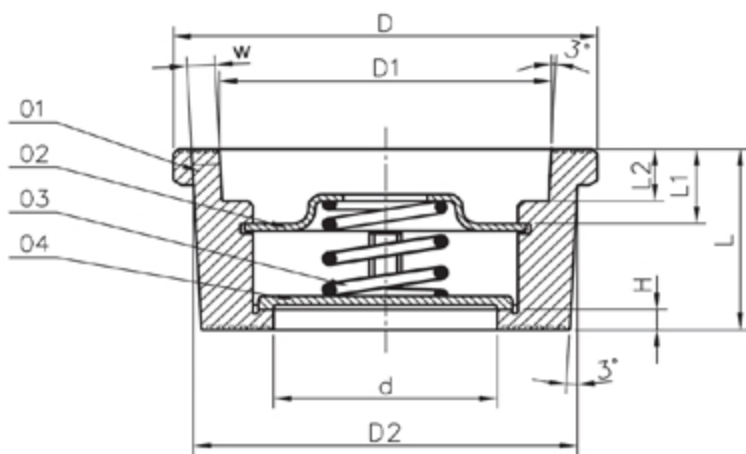


ART 964

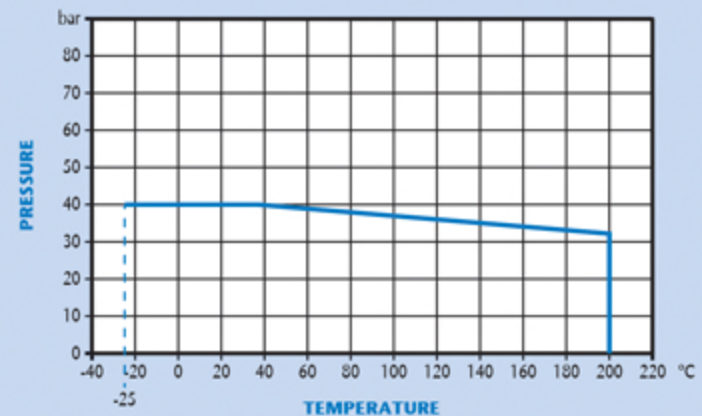
PN40 Stainless Steel Wafer Spring Check Valve

Features

- Wafer Pattern to suit PN10,16,40 & ANSI 150, 300 Flanges
- Metal Seat
- PN40 Rated



Pressure / Temperature



DN	1/2"	3/4"	1"	1 1/4"	1 1/2"	2"	2 1/2"	3"	4"
d	15	20	25	32	40	48	62	75	95
D	39	46	54	70	81	94	113	132	150
D1	28.3	35.7	40	52.4	61	75.4	90	109	125.3
D2	34	41	49	62	71	85	102	123	140
W	3.1	3.3	4.5	4.8	5	5.3	6	7	7.5
L	16	19	22	28	32	40	46	50	60
L1	4	5	5.5	8	10	15	17.5	18	23
L2	2	2	3	4	4	4	5	5	6
H	3.5	4	4	5	5.5	6	6.5	7.5	8.5
Kgs	0.10	0.14	0.22	0.39	0.54	0.77	1.25	1.90	2.80

Technical Data

Max Pressure 40 Bar
Working Temperature -25°C to +200°C

N.	Part Name	Material
1	Body	CF8M
2	Spring Cover	Stainless Steel 316
3	Spring	Stainless Steel 316
4	Disc	CF8M