



**FOOD EQUIPMENT**

**SERVING THE FOOD INDUSTRY SINCE 1951**

# 44-INCH STAINLESS STEEL ELECTRIC HOT FOOD TABLE WITH 3 PANS CAPACITY, CUTTING BOARD AND UNDERSHELF

**Item: 46574 Model: FW-CN-0003-H**

**KEEP YOUR HOT FOODS  
READILY AVAILABLE AT  
SAFE TEMPERATURE**

*Perfect for buffet and catering services, Omcan's 44-inch Stainless Steel Electric Hot Food Table with Cutting Board and Underself is designed to keep your hot foods readily available at safe temperature. With a durable stainless steel construction, this food warmer has a convenient undershelf where you could store extra serving utensils, food pans, or any other kitchen tools that you need, as well as a polycarbonate cutting board as an extra work space in case you need to fill out food pans or plates.*



*Pans not included.*



Authorized Dealer

## TECHNICAL SPECIFICATIONS

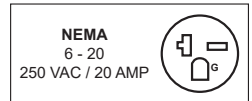
ITEM NUMBER	46574
MODEL	FW-CN-0003-H
MAX. TEMPERATURE	Approximately 212°F / 100°C
POWER	2250W   3000W
ELECTRICAL	208V   240V / 60Hz / 1Ph
AMPS	10.82   12.5
MATERIAL	Stainless Steel
CUTTING BOARD MATERIAL	Polyethylene
NUMBER OF PANS	3 (Pans not included)
PAN SIZE	20.78" x 12.8" x 6" (full size)
UNDERSHELF SIZE	42" x 18" x 2"   1058 x 462 x 50 mm
CUTTING BOARD SIZE	44" x 7.9" x 0.5"   1119 x 200 x 12 mm
DIMENSIONS (WDH)	44" x 30" x 34"   1119 x 772 x 870 mm
GROSS DIMENSIONS	48" x 25" x 20"   1210 x 640 x 520 mm
WEIGHT	45kg.   99lbs.
GROSS WEIGHT	60kg.   132lbs.

## FEATURES

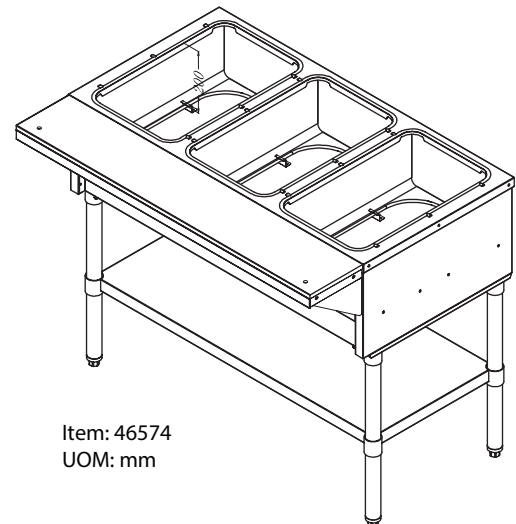
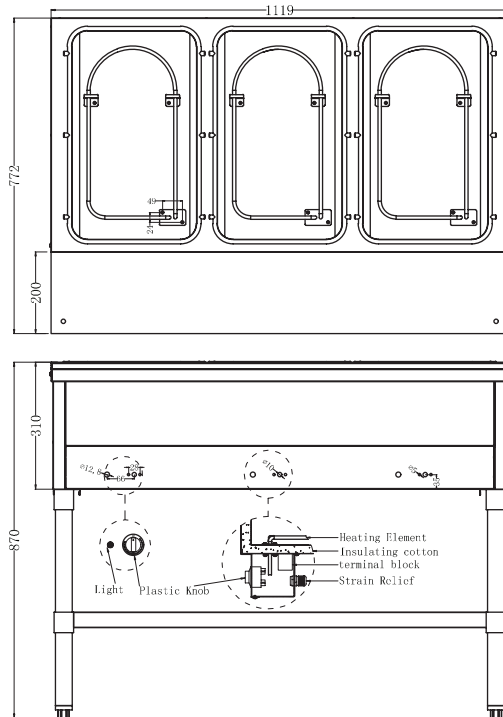
- Stainless steel structure with individual control
- Adjustable stainless steel undershelf and removable Polyethylene cutting board
- Adjustable stainless steel feet
- Stainless steel heating element
- 3 independent infinite controls
- Pans not included

## OPTIONAL ACCESSORIES

- Full Size Pan (Item 80259)
- Spillage Pan (Item 80907)



## TECHNICAL DRAWINGS AND DIMENSIONS



## OMCAN INC.

Telephone: 1-800-465-0234  
 Fax: (905) 607-0234  
 Email: sales@omcan.com  
 Website: www.omcan.com



Follow us to keep up to date with the latest news and offers

