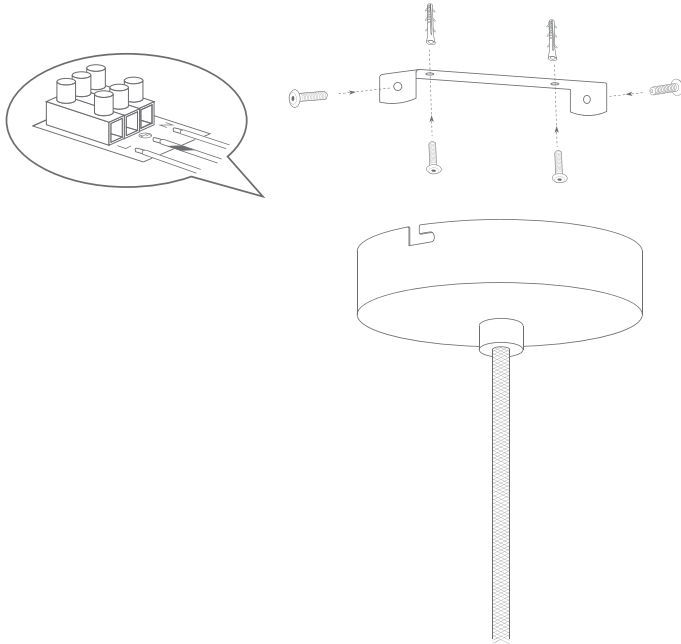


Pre-wired Pendant Installation Instructions



Only qualified persons should assemble the luminaire. If in doubt, consult a suitably qualified person. Installation MUST be carried out in accordance and compliance with current building regulations.

Ensure the electrical supply is turned OFF at the fuse board.

This must be installed by a qualified electrician. The light shade should be supported during installation so that the electrical cables are not holding the full weight of the pendant at any point. Only when the ceiling rose is secured to the mounting bracket and the cord grip grub screw is tightened can the shade be lowered and allowed to hang freely.

1. Screw in your chosen light bulb. The lampshade has been designed to work with an LED bulb, up to a maximum of 25 Watts.
2. Turn the power supply on to complete installation.

If the external flexible cable or cord of this luminaire is damaged, it shall be exclusively replaced by the manufacturer or his service agent or similar qualified person in order to avoid a hazard. Do not use if damaged.