

MS07

ROUND HIGH RISE LAUNDRY SPOUT

meir®



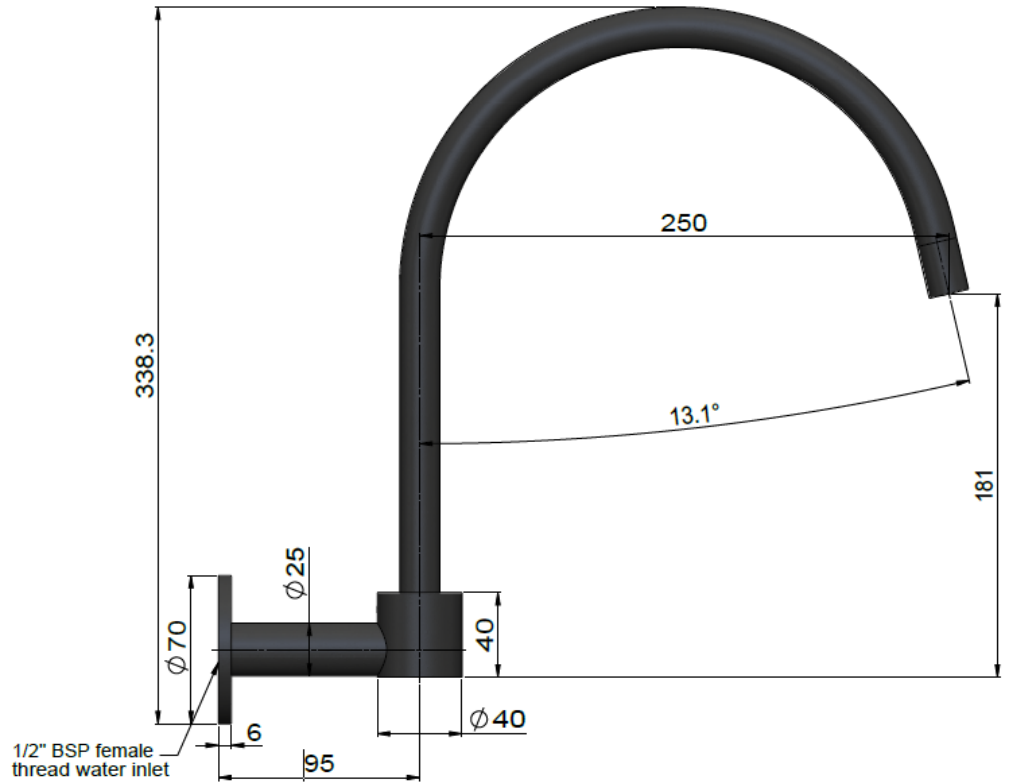
FEATURES

- Refer to the Meir website for warranty terms & conditions, and available finishes.
- Flow rate 25L p/m at 3 bar pressure.
- European components and cartridge
- Solid brass construction
- Box Weight 1.9 kg
- 68mm long 1/2" threaded adapter included

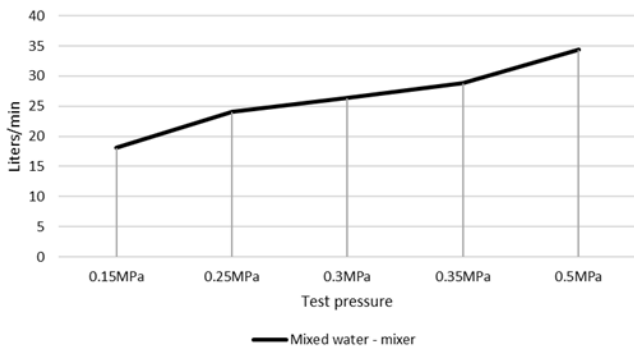
CARE

- Do not install tapware using any form of acetone silicones.
- Do not apply physical items (such as tools) directly to product.
- Never use house-hold or commercial detergents, citrus based cleaners, or abrasive cleaners.
- Clean using a mild washing soap solution rinsed, and dry with a soft cloth.
- Check for any product defects before installation.
- Refer to the installation manual for correct installation.

SPECIFICATIONS



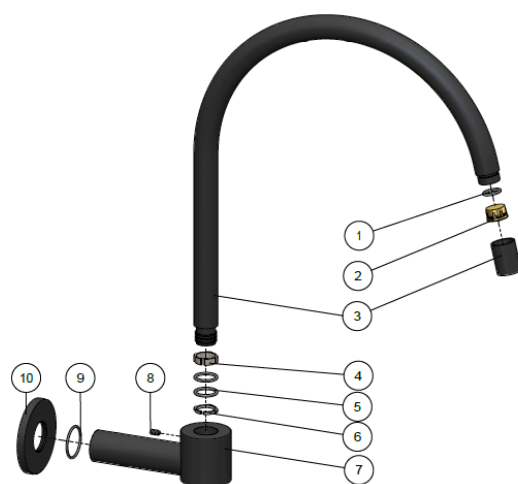
FLOW RATE GRAPH



CREDENTIALS

- Watermark AS/NZS3718WMKA25013

EXPLODED VIEW



No.	Part Name
1	O-ring
2	Aerator
3	Spout
4	Wearing Ring
5	O-ring
6	Wearing Ring
7	Base
8	Screw
9	O-ring
10	Back Plate