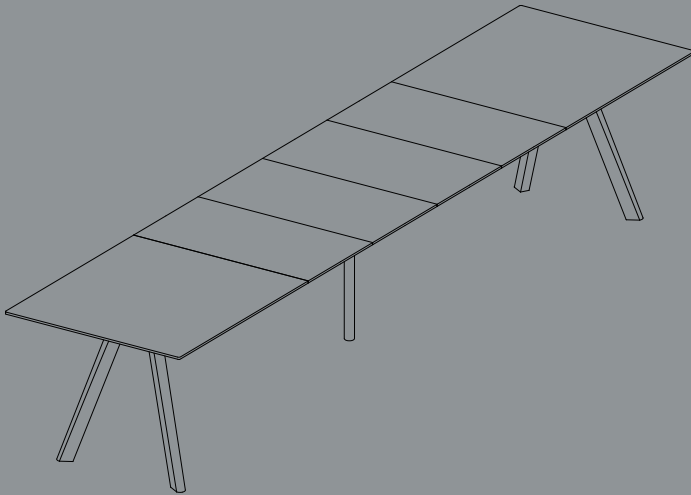


- INSTRUCTION MANUAL -

CPH 30 EXTENDABLE

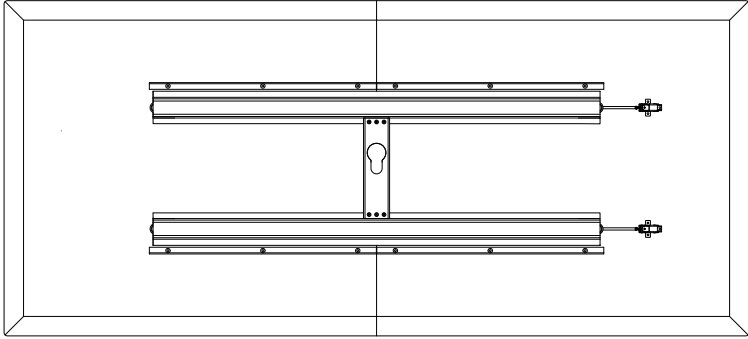
L160/310 X W80 X H74
L200/400 X W90 X H74
L250/450 X W90 X H74



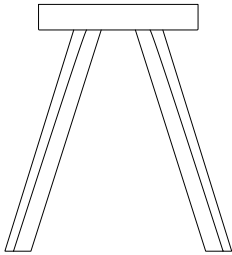
DESIGN BY RONAN & ERWAN BOUROULLEC

HAY

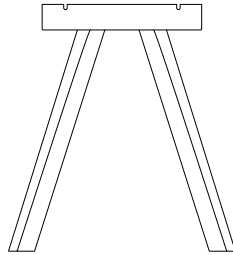
- PARTS -



A Table top x1



B Table leg x1



C Table leg x1

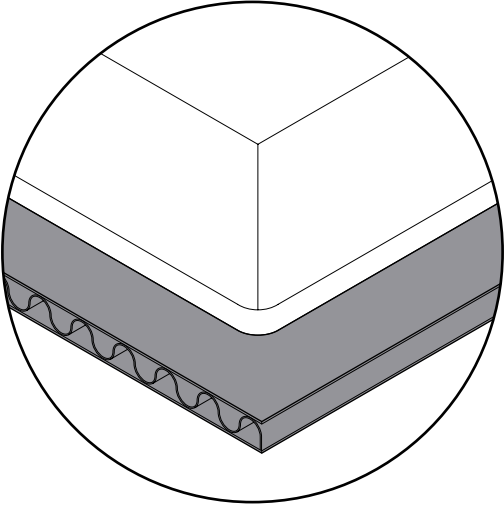
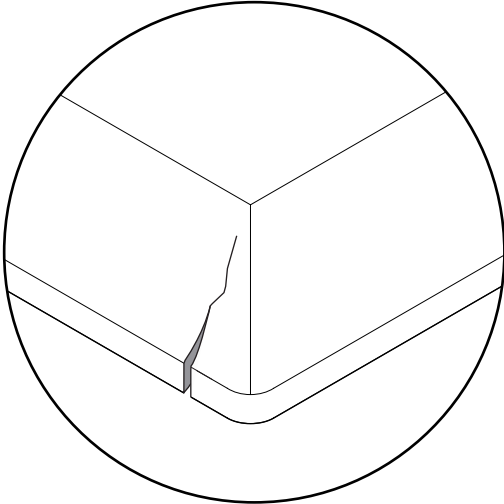


D Allen key x1



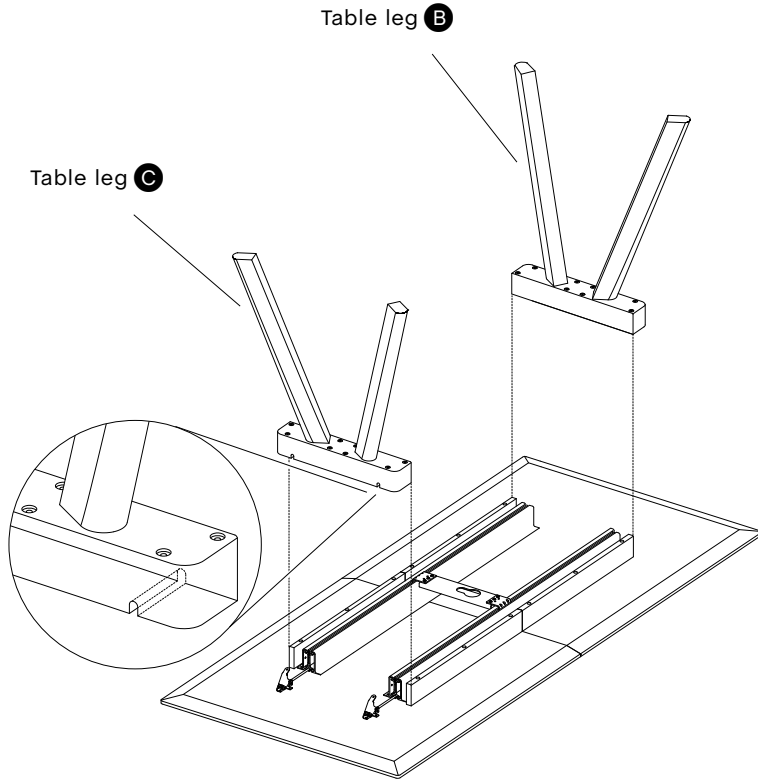
E Screw x16

Protect the table top from scratches and other damage while assembling.



1.

Place the legs **B** and **C** on the tabletop as illustrated below.

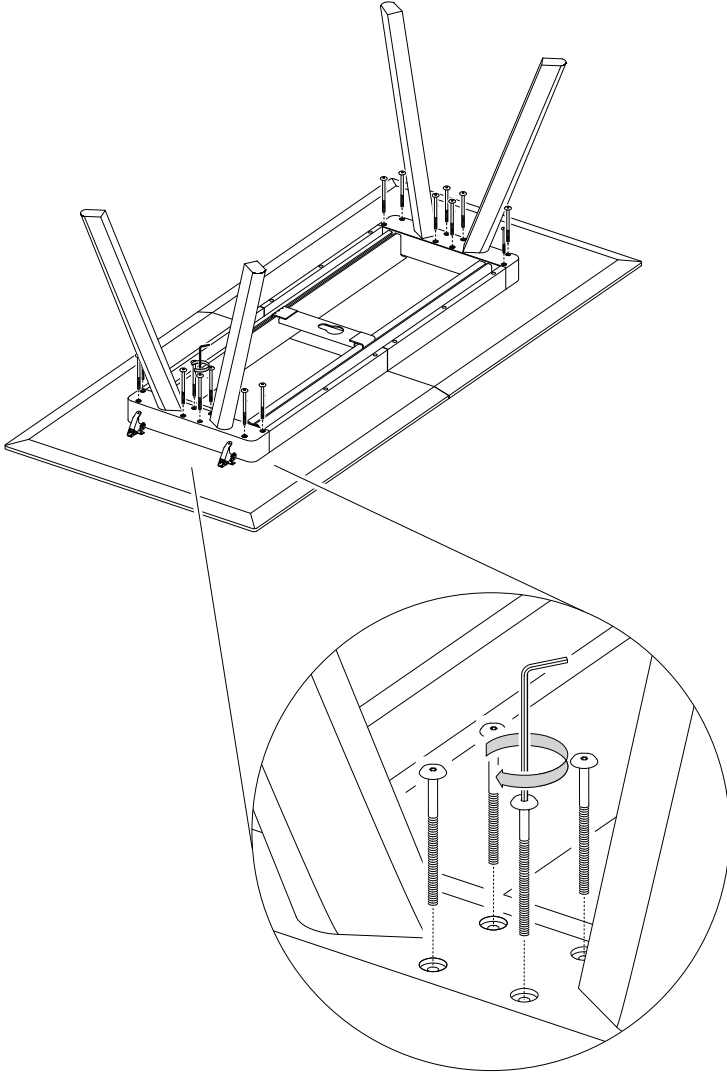


NOTICE

Note that the legs are not identical.

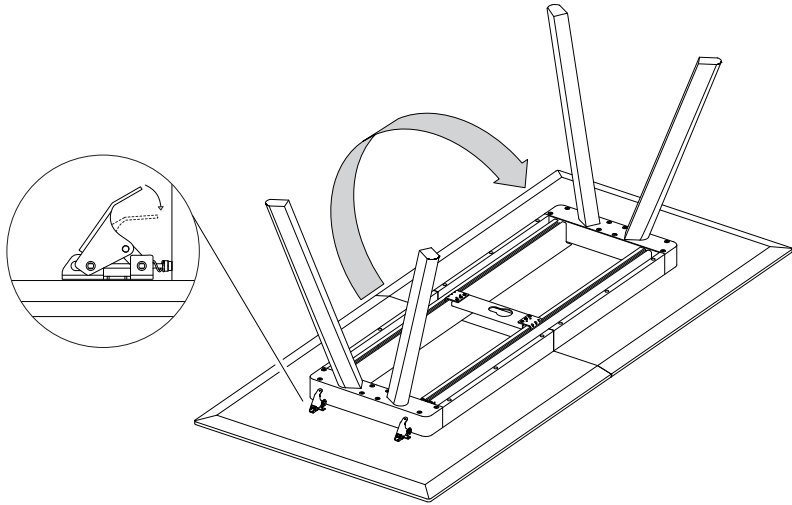
2.

Tighten the screws **E** using the Allen key **D**.

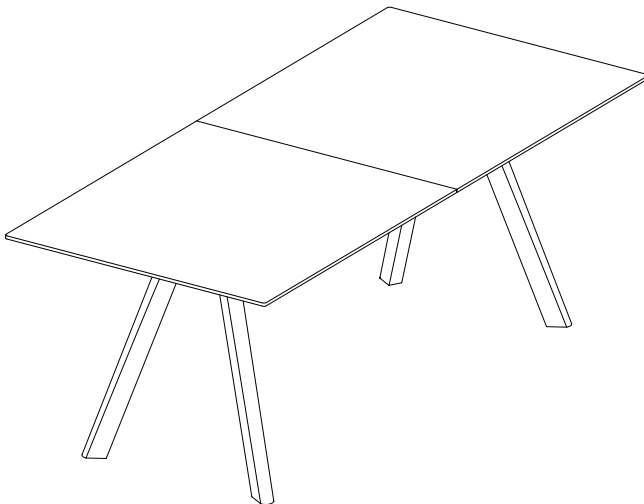


3.

Make sure that the mechanism is locked, before turning the table over.
(2 people are recommended).



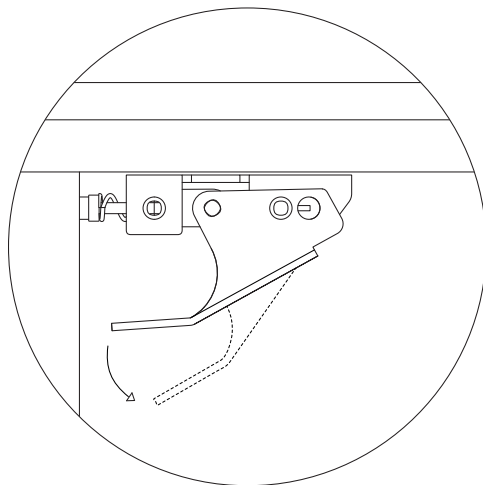
5.



- EXTENDING THE TABLE WITH up to 2 leaves -

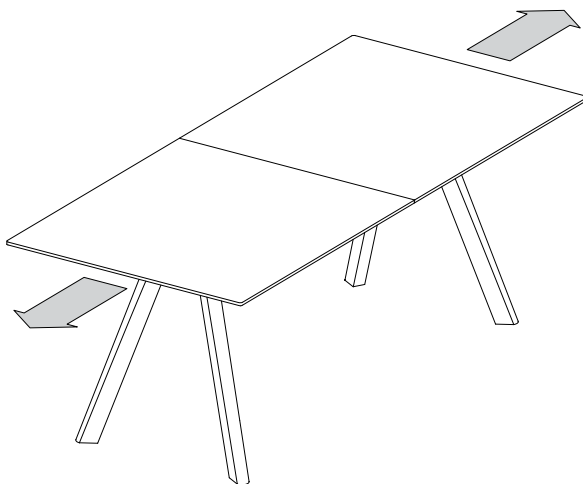
1.

Unlock the mechanism by pulling the handle.



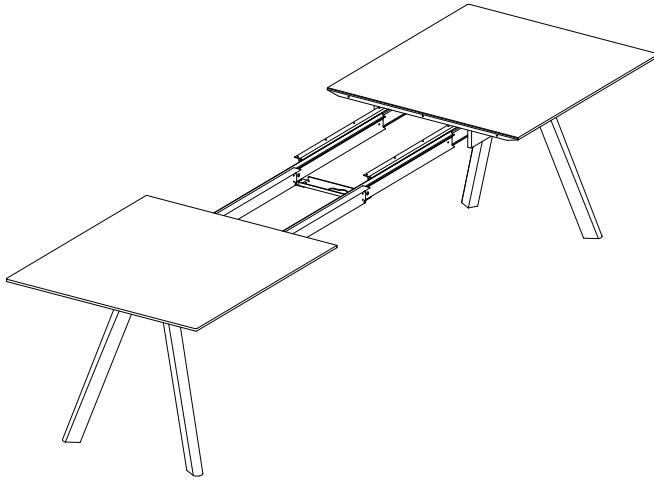
2.

Extend the table by lifting it at one or both ends and pull it towards you.



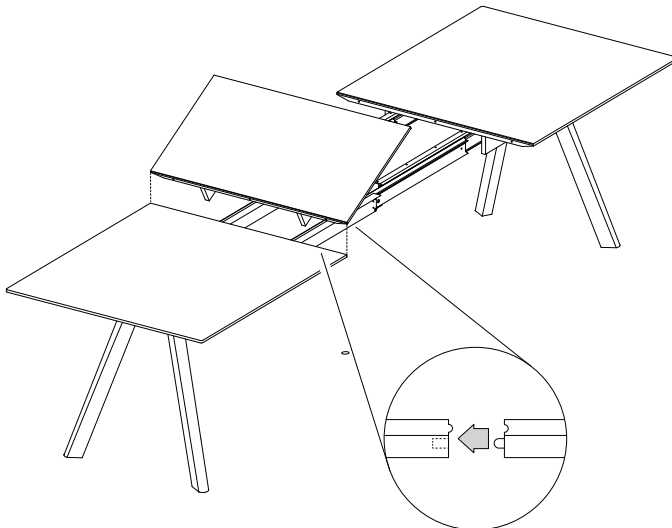
3.

Make sure to make enough space for 1 or 2 leaves.



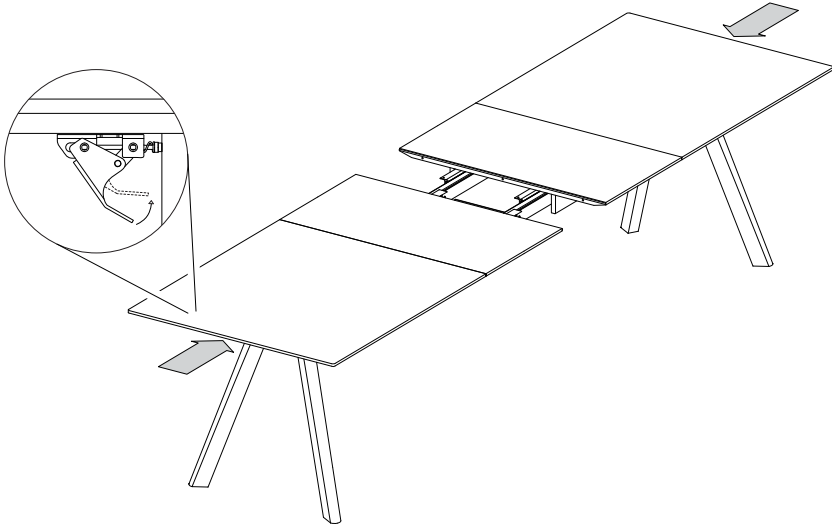
4.

Place the table leaves at a slight angle, as illustrated below. Make sure that the pins are securely inserted into the holes.

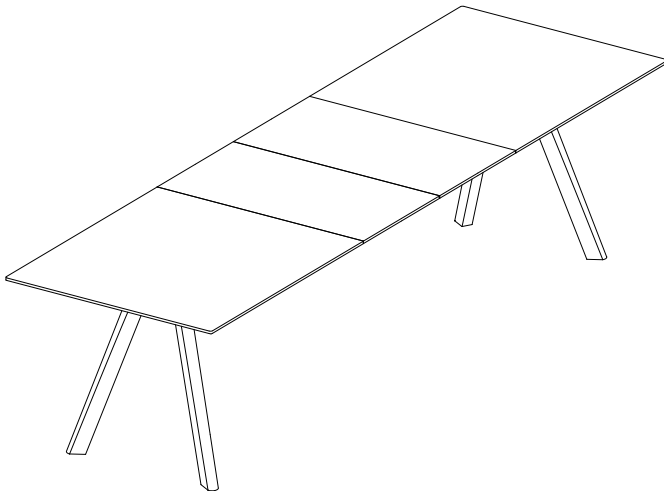


5.

Push both ends of the table to close the centre gap and then lock the mechanism.



6.



- EXTRA PARTS TABLE - 160 X 80 CM -

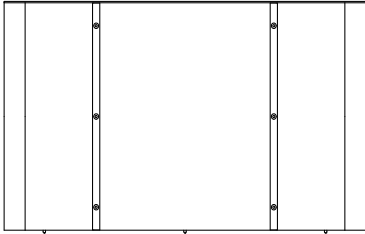


Table leaf (50 x 80 cm)
MAXIMUM 3



Support leg - Required when
using more than 2 table leaves

- EXTRA PARTS TABLE - 200 X 90 CM & 250 X 90 CM -

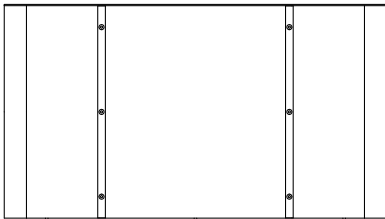


Table leaf (50 x 90 cm)
MAXIMUM 4

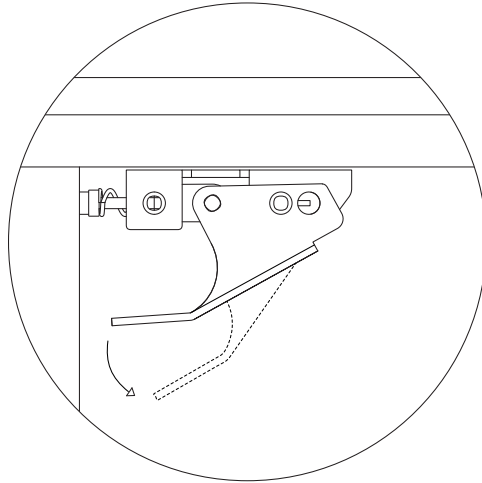


Support leg - Required when
using more than 2 table leaves

- EXTENDING THE TABLE WITH MORE THAN 2 LEAVES -

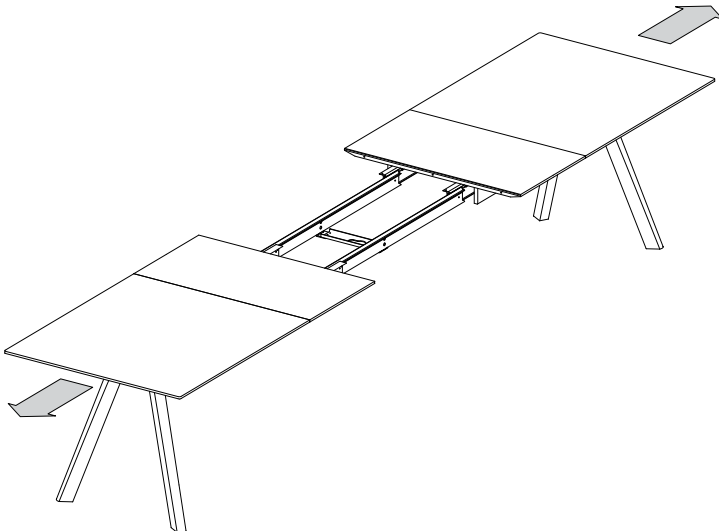
1.

Unlock the mechanism by pulling the handle.



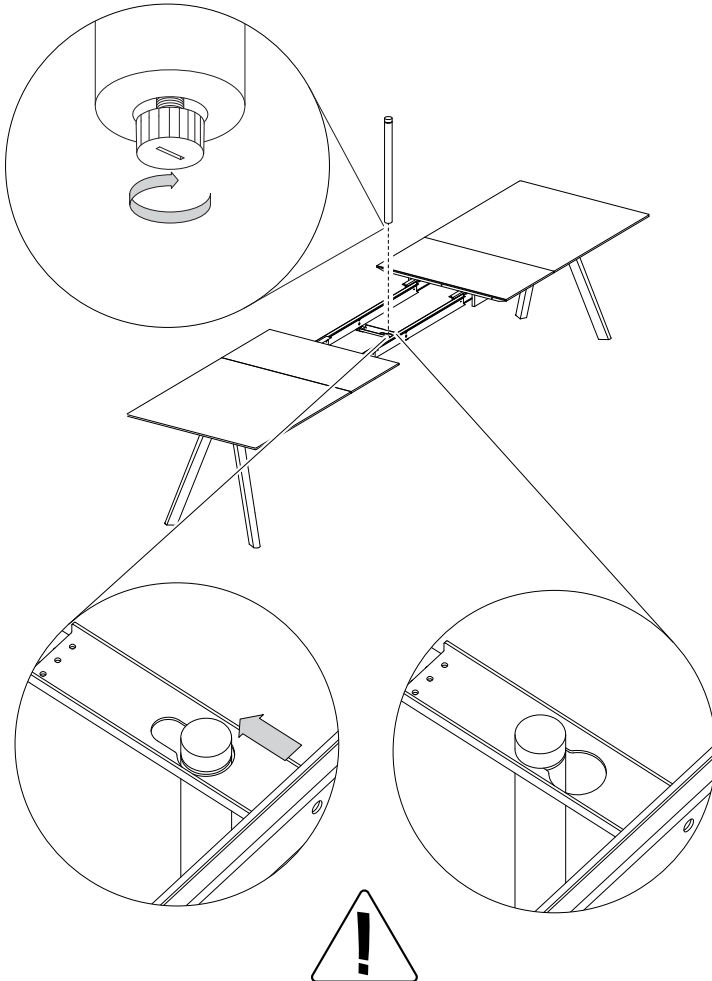
2.

Extend the table by lifting it at one or both ends and pull it towards you.



3.

Place the supporting leg into the central steel bracket. Slightly lift the mechanism if needed.



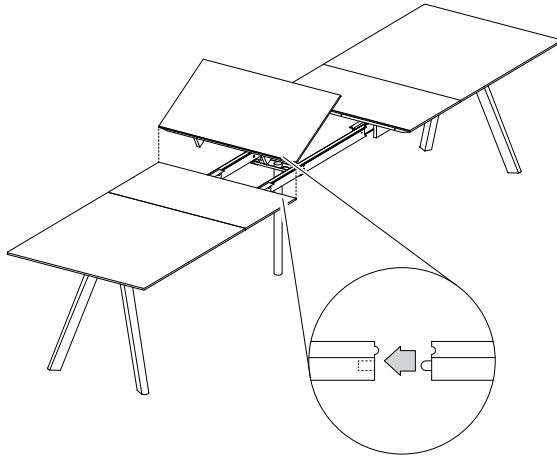
NOTICE

Adjust the supporting leg glider if needed, to make sure the table top is level.

4.

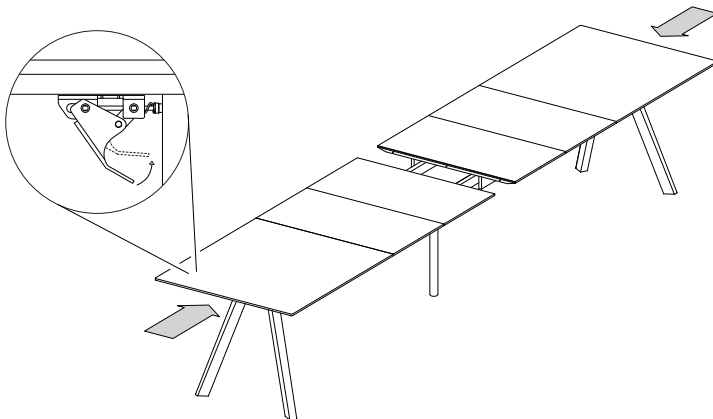
Place the table leaves at a slight angle as illustrated below.
that the pins are securely inserted into the holes.

Make sure



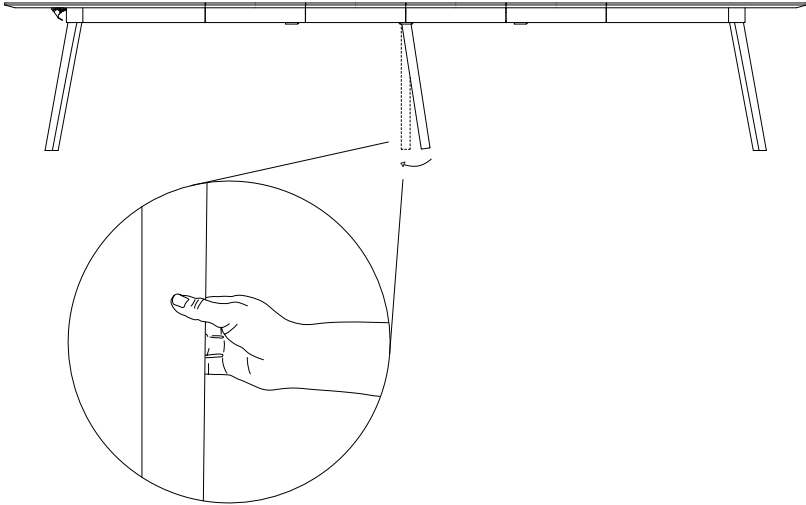
5.

Push both ends of the table to close the centre gap and then lock the mechanism.

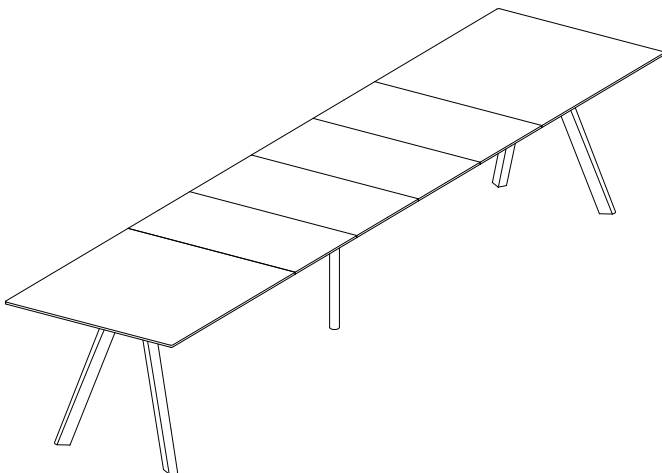


6.

Adjust the supporting leg angle if needed. Lock the mechanism underneath the tabletop.



7.



- CARE & MAINTENANCE -

Our Care & Maintenance offers guidance for optimal maintenance of your HAY product. It includes advice and instructions on cleaning and caring for specific materials to prolong the life of your furniture.



Please find our Care & Maintenance guide by scanning the QR code



You can find more relevant information on CPH 30 Extendable by scanning the QR code

You can also find the same information here
hay.dk/downloads

Havnen 1 8700 Horsens Denmark
+45 4282 0282 / hay@hay.com

06/10/2021

HAY