

Bed

Bed is an expandable bed frame that can fit any mattress from 90 cm up to 180 cm wide.

Bed is available in 90 cm only or fully expandable. The expander set is available to modify a 90 cm bed into a fully expandable version.

These instructions cover:

Bed 90 cm

Bed – Expander set

Bed 90 cm – 180 cm

Bed – Side table

Product description

The product at hand is a bed for domestic use.

If you have purchased the expandable version the bed can be made to fit mattresses between 90 cm and 180 cm wide.

The 90 cm bed is only made to fit 90 cm wide mattresses. If you wish you can later add an expander set and make the bed fit up to 180 cm wide mattresses also.

In both versions the bed is made for mattresses with a length from 180 cm to 200 cm.

The bed is a piece of indoor furniture and should only be used as intended.

The durability and safety of this bed has been tested by the Danish Technological Institute according to the European standard for beds EN1725:1998 and has passed this test.

The bed comes without bed slats. You can buy slats for the bed through Moebe or add your own. We recommend only to use tested and safe bed slats bought through a trusted manufacturer.

Recycling

The bed is made of 100 pct. steel. All painted parts can be recycled as normal steel. All non painted parts are made of stainless steel and can be recycled as such.

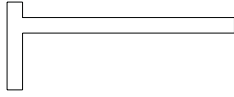
Assembly

Please see assembly instruction packed in the box for your bed or find them at www.moebe.dk

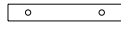
Bed 90 cm



A x2



B x4



D x2



F1 x4

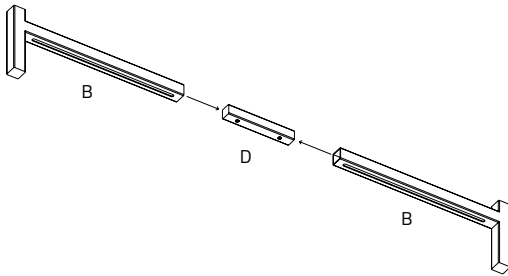


F2 x4

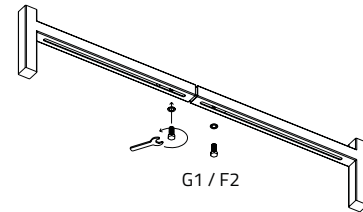


G1 x8

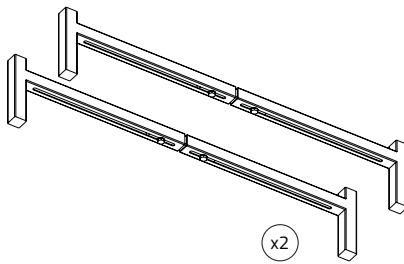
1



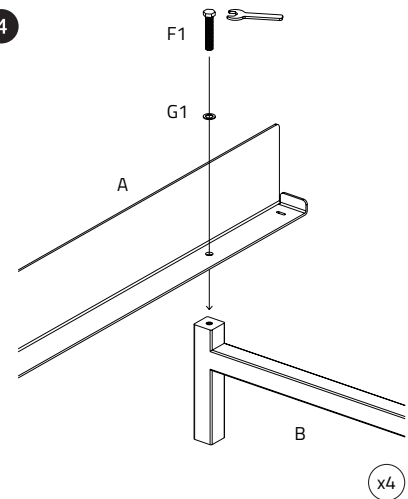
2



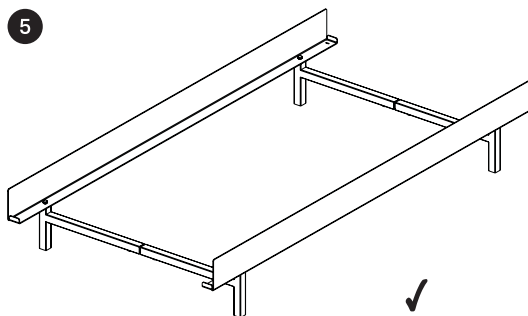
3



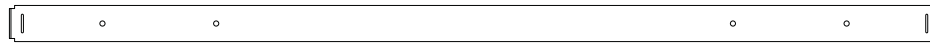
4



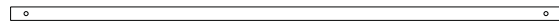
5



Bed – Expander set



C x2



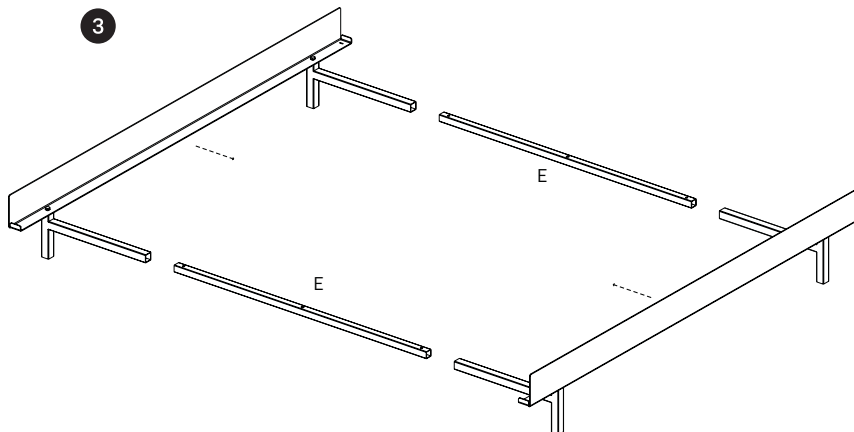
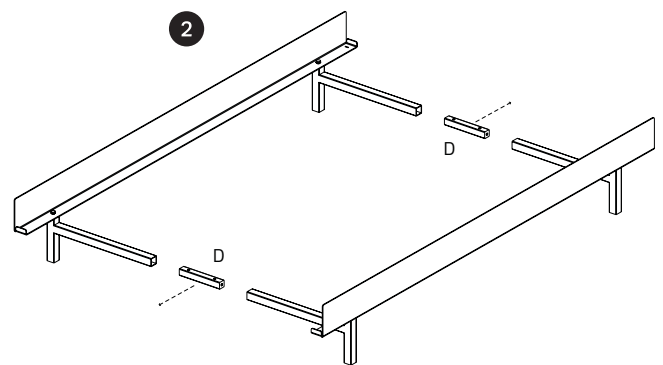
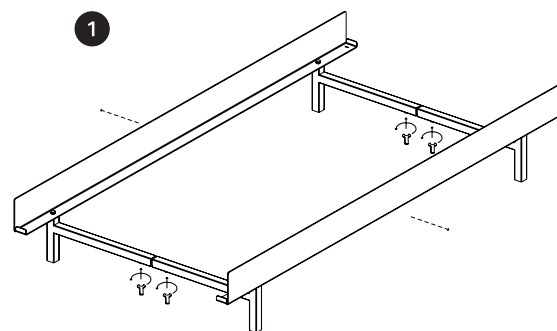
E x2

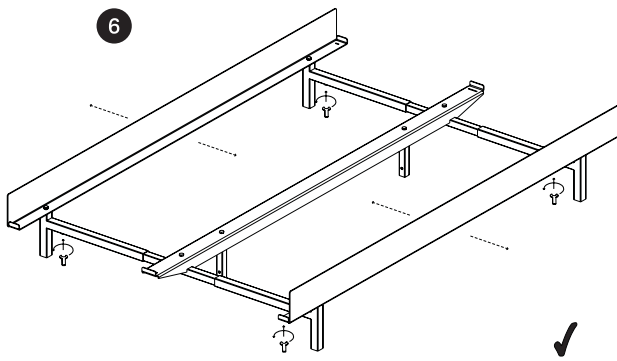
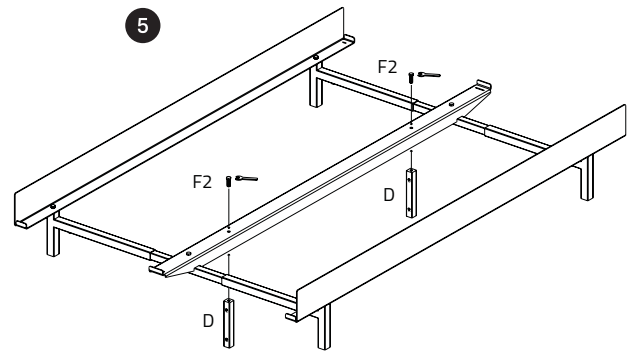
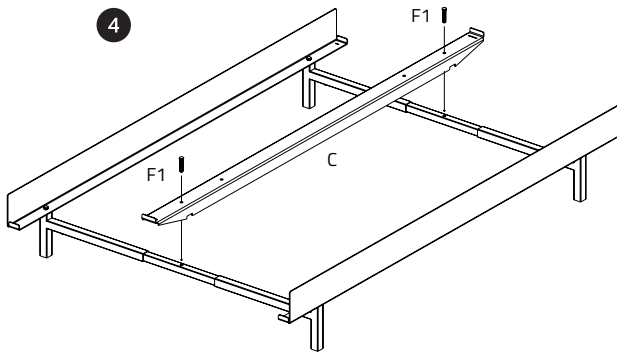


F1 x6



F2 x6





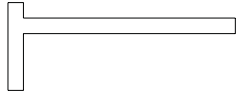
Bed 90 cm – 180 cm



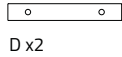
A x2



C x2



B x4



D x2



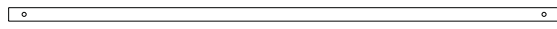
F1 x6



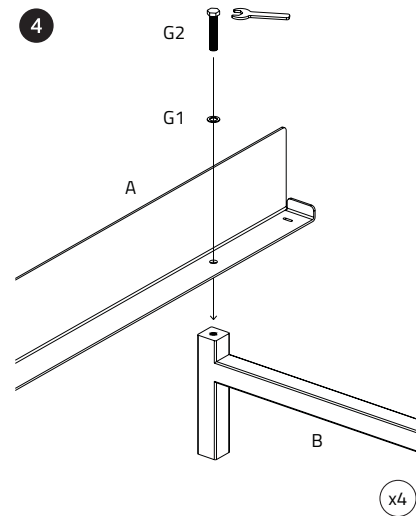
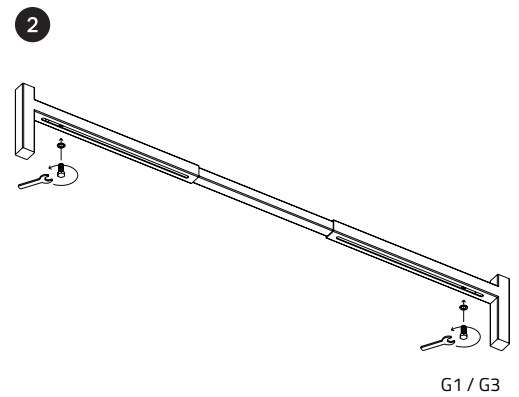
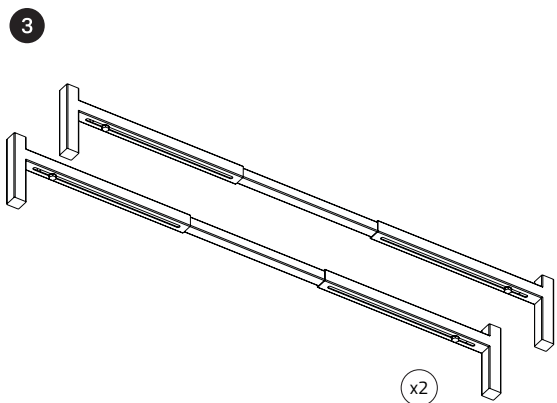
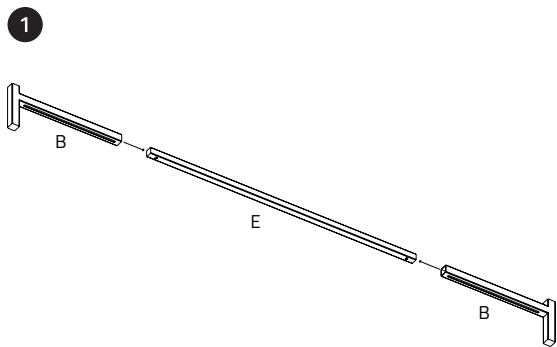
F2 x6

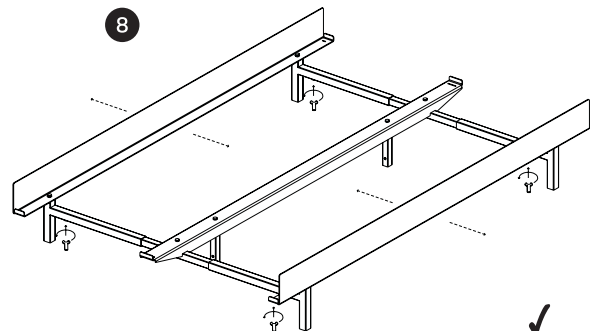
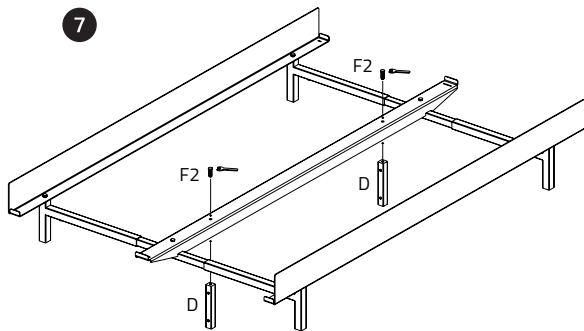
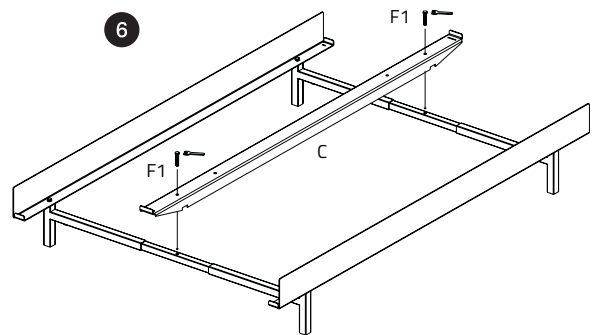
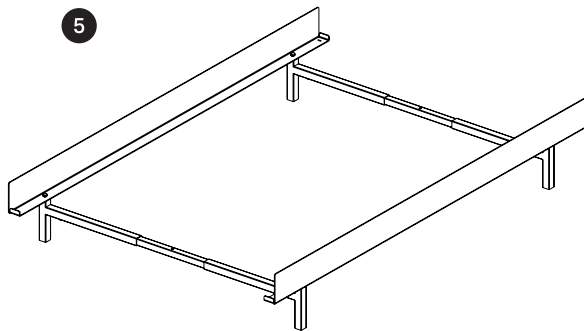


G1 x8

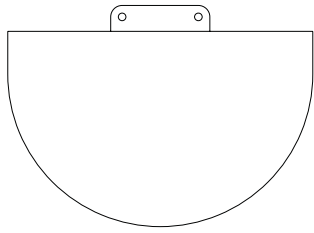


E x2





Bed – Side table



H x1



I x2

