

Atrium Planters



White

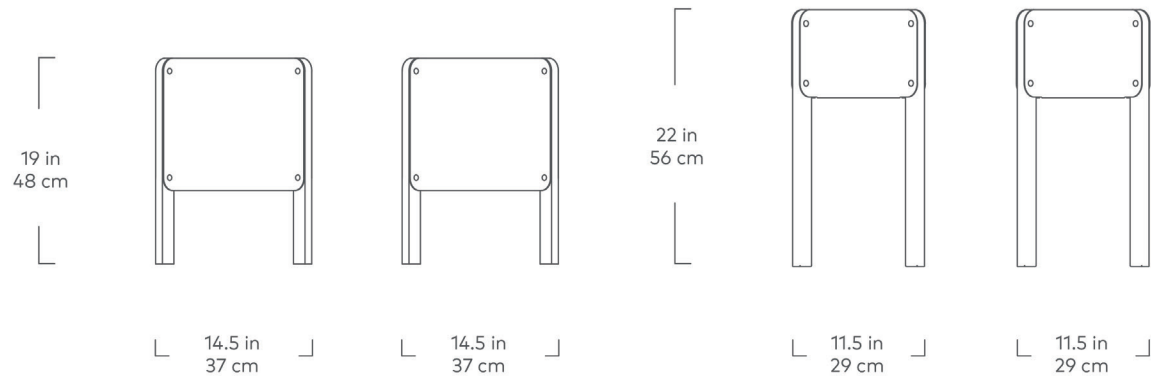


Black

Inspired by Bauhaus design principles, the Atrium Planter lets you nurture your green thumb at home or the office. Form follows function with straightforward shapes that let your plants do the talking. The industrial design of the planter is contrasted by warm wood legs that provide plenty of support. Available in two heights, it easily melds into modern surroundings. High or low, how does your garden grow?

Design Trade Professionals: We aim to keep our designs in stock and ready to ship quickly for projects on a tight timeline. Designs may be customized with COM and alternate finishes (minimum quantities may apply). Visit gusmodern.com for more information about our Trade & Contract programs.

Atrium Planters



- Not recommended for outdoor use.
- Powder-coated steel walls are matched with 100% FSC®-solid Ash wood legs.
- We recommend placing pre-potted plants inside the planters to prevent dirt and residual water from accumulating in the bottom of the planter. Filling the planter with soil is not recommended.
- Occasionally wipe planter interior to reduce chance of corrosion.
- Removable, galvanized metal tray included.
- Plastic bumpers on base to prevent damage to hardwood floors.
- Light assembly required.

