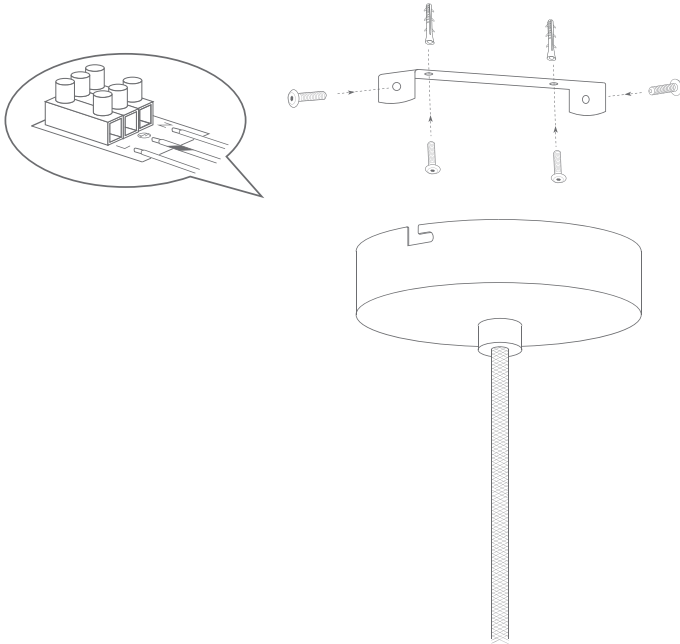


## Enka Pendant Installation Instructions



**Only qualified persons should assemble the luminaire. If in doubt, consult a suitably qualified person. Installation MUST be carried out in accordance and compliance with current building regulations.**

This must be installed by a qualified electrician.

**Ensure the electrical supply is turned OFF at the fuse board.**

1. Screw in your chosen light bulb. The lampshade has been designed to work with an LED bulb, up to a maximum of 25 Watts.
2. Turn the power supply on to complete installation.

*If the external flexible cable or cord of this luminaire is damaged, it shall be exclusively replaced by the manufacturer or his service agent or similar qualified person in order to avoid a hazard.*

*Do not use if damaged.*