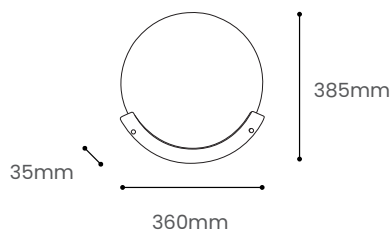


NOKORI MIRROR

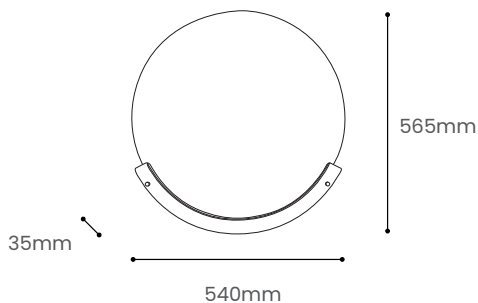
Product Specification

Tom Raffield

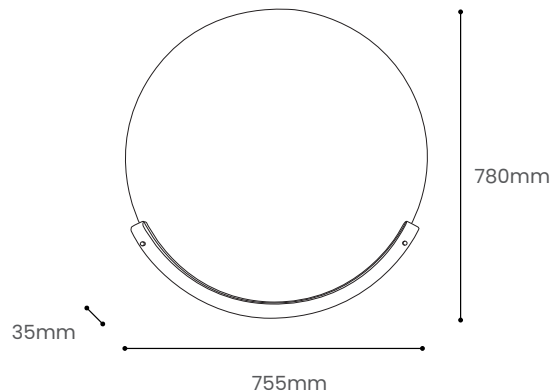
Nokori Mirror Small



Nokori Mirror




Nokori Mirror Large



Breathing contemporary softness into any space, the circular Nokori Mirror unites clean curves and sustainably sourced wood to create a sense of balance.

Providing enchanting reflections, a round, frameless mirror neatly rests in an arching steam bent oak bracket. Boasting a slender profile, this wall mounted mirror is the perfect accent for completing any space. Thoughtfully positioned above your sofa or bathroom sink, or beside your coat hook in your hallway, the lightweight Nokori can be styled to suit any space. Whether placed on the wall on its own or arranged in multiples in various sizes, the sleek design is sure to make a statement.

Confidently optimistic. Undoubtedly timeless.

Product Type : Accessories	SKU	Wood types	Dimensions L x W x H (mm)		Weight (kg)	
			Unboxed	Boxed	Unboxed	Boxed
Nokori Mirror Small	TR-NOKO-F-O-SML	Oak	360 x 35 x 385	457 x 457 x 305	1.65	3.8
Nokori Mirror	TR-NOKO-F-O	Oak	540 x 35 x 565	810 x 810 x 140	3.35	7
Nokori Mirror Large	TR-NOKO-F-O-LRG	Oak	755 x 35 x 780	1000 x 1000 x 200	6.4	13.2
Materials	Oak 				Other materials	
					Glass Mirror	
Finish	Finished with a blend of natural wax oils to give a protective, hardwearing and beautiful finish.					
Care information	<ul style="list-style-type: none"> Finish: The blend of natural oils can take up to four weeks to harden fully. Because of this, particular care should be taken in the first few weeks after delivery before cleaning, see below. Care: Solid wood may expand and shrink with differences in temperature and humidity so take care not to place your furniture directly next to anywhere with excessive changes in temperature such as radiators and windows. Cleaning: To clean on a regular basis wipe the surface with a damp cloth before removing any moisture with a dry cloth. Wipe off anything that will stain straight away, e.g. red wine, balsamic vinegar, oil, tea, coffee, alcohol, etc. In the event of severe spillages and stains the surface can be lightly re-sanded and re-oiled – please talk to us or a professional furniture restorer before doing so. 					
Additional information	<ul style="list-style-type: none"> Product care instructions included. Installation instructions and fixings included. 					