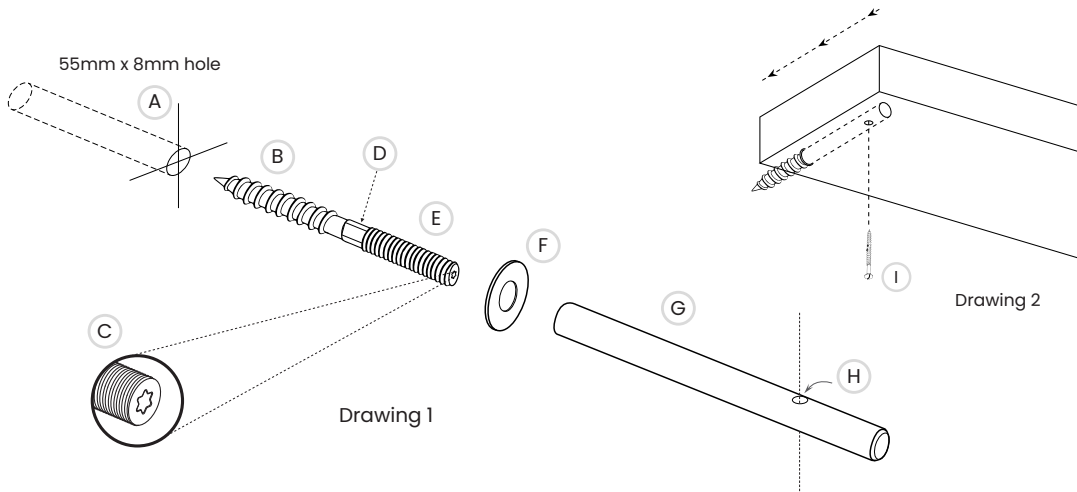


Esun Shelf with Mirror Installation Instructions



The Esun Shelf with Mirror can carry a maximum of 10kg of evenly distributed weight when properly mounted on the wall, and it must be installed into a solid wall or directly into studs of a timber framed wall.

1. Identify if there are any hidden pipes or electrical cables in the wall to avoid causing damage or risk of electrical shock during installation.
2. Make two marks on the wall **500mm** apart where the shelf will be installed (A). Use a spirit level to ensure the marks are perfectly level. Carefully drill two holes*** **55mm** deep into the wall. A little masking tape can be wrapped around the drill bit at 55mm from the tip as a marker to ensure the correct depth is drilled. The drill depth of approximately 55mm is important in ensuring the wooden structure can be attached securely to the silver bracket bars (G) using the screws provided, and that the shelf sits perfectly flush against the wall. No amount of the silver bracket bar should be inserted beyond the surface of the wall, or the locating screws holes will not align between the wooden structure and the brackets. We have included a penny washer to fit between the silver bar and metal screw dowel to help prevent this.

***** The coarse thread (B) of the metal screw dowel is 8mm in diameter, but the hole diameter drilled will depend on wall structure, i.e., if drilling into masonry a wall plug fixing will be required and must be fitted according to installation instructions of the fixing. If fixing to a wooden wall or directly into stud work, the hole drilled can be 8mm.**

3. Once both holes are drilled, fit suitable fixings if required (e.g., wall plugs for masonry). Using a drill driver, carefully screw the metal screw dowel, pointed end first (B), into each hole using a Torx head screwdriver bit (C) until you reach the machine (fine) thread (E). The coarse, pointed end should be completely embedded in to the wall, including the smooth middle section between both threads (D).
4. Fit the penny washers (F) to each machine thread and screw both silver bars (G) clockwise onto each thread pressing the washer up to the wall. At this point, ensure the small holes in the silver bracket bars are perfectly aligned vertically (H) to allow the securing screws to be inserted through the wooden structure and into the silver bar. A small screwdriver or Allen key through the hole in the silver bar can be used as leverage to tighten and ensure the locating holes are vertical.
5. Slot the wooden structure of the shelf over the silver bars and check that the holes underneath align with the bracket holes. Gently tighten the screws included (I - Drawing 2) into each hole to secure the shelf in place. Slot the mirror into the rebated groove of the curve to complete installation.