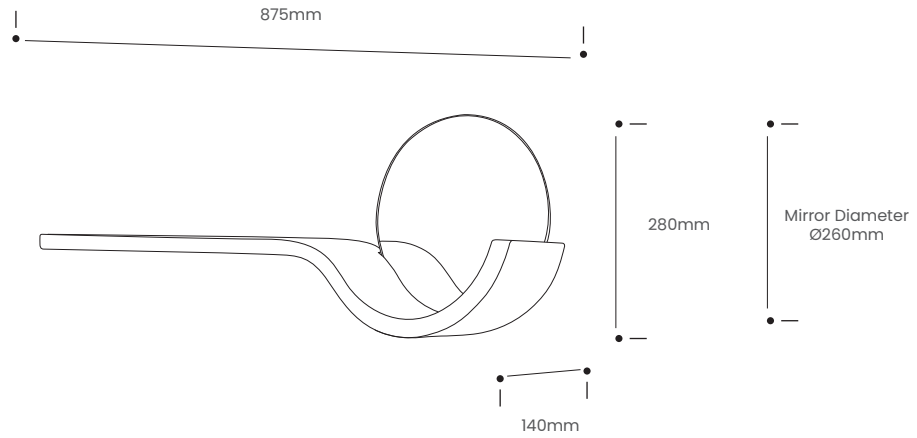


ESUN SHELF WITH MIRROR

Product Specification

Tom Raffield


Esun Shelf with Mirror



With origins rooted in the sculptural tree canopies surrounding our Cornish design studio, our new collection of steam bent, ash wood storage and accessories celebrates the strength, versatility, and unique character of this sustainable natural material, whilst showcasing forward-thinking design at it's very best.

Elevating interiors with harmonious design, the Esun Shelf with Mirror is the perfect blend of minimalist, Scandi-inspired, style and classic materials. Seemingly floating upon its new stable home, five lengths of sustainably sourced ash wood are steam bent as one to cradle a frameless, rounded mirror. This useful mirror and curvaceous shelf combination makes it well suited to busy hallways, compact bathrooms, and restful bedrooms. Perfect for storing books, pictures, and treasured mementoes, the versatile design of the Esun Shelf with Mirror will always suit, wherever it is placed.

Signature in style, timeless by nature.

Product Type : Accessories	SKU	Wood types	Dimensions L x W x H (mm)		Weight (kg)	
			Unboxed	Boxed	Unboxed	Boxed
Esun Shelf with Mirror	TR-ESUN-F-A	Ash	875 x 140 x 280	920 x 270 x 457	2.9	5.2
Materials	Ash		Other materials			
			Glass Mirror			
Finish	Finished with a blend of natural wax oils to give a protective, hardwearing and beautiful finish.					
Care information	<ul style="list-style-type: none"> Finish: The blend of natural oils can take up to four weeks to harden fully. Because of this, particular care should be taken in the first few weeks after delivery before cleaning, see below. Care: Solid wood may expand and shrink with differences in temperature and humidity so take care not to place your furniture directly next to anywhere with excessive changes in temperature such as radiators and windows. Cleaning: To clean on a regular basis wipe the surface with a damp cloth before removing any moisture with a dry cloth. Wipe off anything that will stain straight away, eg red wine, balsamic vinegar, oil, tea, coffee, alcohol, etc. In the event of severe spillages and stains the surface can be lightly re-sanded and re-oiled - please talk to us or a professional furniture restorer before doing so. 					
Additional information	<ul style="list-style-type: none"> Product care instructions included. Installation instructions and fixings included. 					

Tom Raffield Ltd, F3 Church View Business Park, Bickland Water Rd, Falmouth TR11 4FZ, UK
 tomraffield.com contact@tomraffield.com +44 (0) 1326 722725 #tomraffield @tomraffield

Due to the character of handcrafted natural products, all dimensions are approximate. Wood colour may slightly vary.
 All products, prices and leadtimes are correct at time of print and are subject to change without notice.